



**B-fix & One
B-fix
Black-One**

Manufactured in Stainless Steel, this system ensures **optimal attachment**. Because of its simplicity, it saves valuable time when installing. Placed on millions of m² and tested on many natural and synthetic boards, it is the ideal partner for your decks and cladding.



Characteristics

-  **high finish level, invisible**
-  **quick and easy installation: 40% time savings**
-  **respects wood movement: «spring effect»**
-  **local disassembly possible**
-  **usable with 3 different profiles**
-  **installation on decks and siding**
-  **reinforced stainless steel self-drilling screws**
-  **specialist approved**
-  **patented system**
-  **made in Belgium**

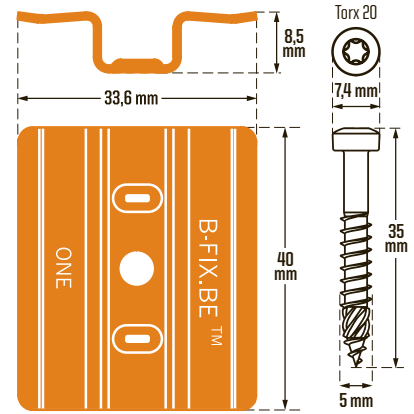


100x 100x 1x
Black

One

+/- 1,9 kg

+/- 4,5 m² **+/- 6 m²**



Profiles

3 compatible profiles



B-Fix Classic



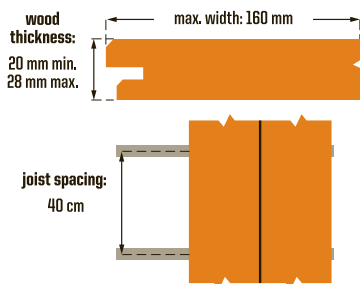
B-Fix Plus



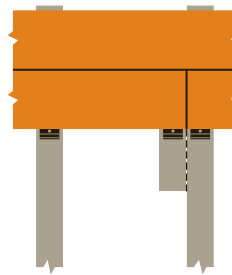
B-Fix Premium



Recommended material



Butting



Materials



B-Fix One: 301 Stainless Steel

B-Vis: A2 stainless steel + silver coating

B-Fix Black-One: 301 stainless steel
+ black coating

B-Vis Black: A2 stainless steel
+ black coating

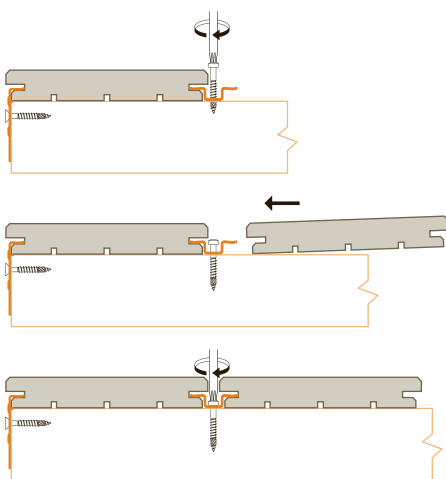
Tested wood



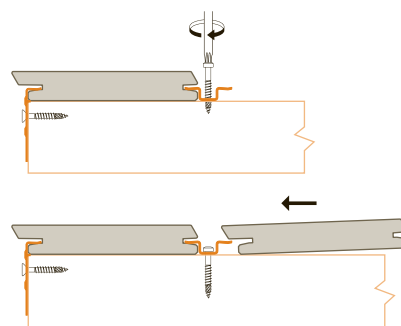
Ipe, Padouck, Afrormosia, Cumaru, Itauba, Tali, Limbali, Larch, Douglas, Bamboo, Teak, Jatoba, Merbau, Garapa, Massaranduba, thermo wood, composite, Accoya wood, ...

Assembly

B-Fix Classic



B-Fix Plus / Premium



Installation conditions

Humidity target



	Le Zoute	Brussels	Lille	Marseille
☀	22	22	22	17
☁	+	+	+	+
❄	18	16	14	11
	<u>2</u>	<u>2</u>	<u>2</u>	<u>2</u>
	= 20%	= 19%	= 18%	= 14%

Distributed by:



+32 10 400 790
 +33 1 747 13 834
 +32 10 400 795
 +33 1 747 13 835

info@b-fix.be
 Drève des 4 Chênes, 1
 1495 Villers-la-Ville
 Belgium
 www.b-fix.be