



## Filter Fans

High performance and fast mounting

### Modern design

A positive visual impact is given by the up-to-date design of the grills and the minimal external projection. All moulded parts are made of highly resistant and self-extinguishing ABS, UL94 VO grade. The standard color is RAL 7032. RAL 7035 is also available. On request and for substantial quantities, non standard colors are also available.

### Fast installation

Installation is fast thanks to the simple square cut-out on the enclosure panel and to the snap-in fixing system. No screws are needed. The snap-in fixing system can be used on panels with thickness in the range 1.2 - 2.4 mm. For different thickness, fixing can still be done with the screw kit included in each pack for this purpose.

### Wide range of air flow ratings

The range of air flow ratings goes from 24 to 630 m<sup>3</sup>/h. For all filter fans, default air flow direction is from the outside towards the inside of the enclosure. If needed the user can easily reverse the direction by simply re-assembling the fan in the opposite way (only on specified models).

### No interference outside the enclosure

5 mm is the maximum projection outside the enclosure. This means no problems during transportation and enclosure operational life, typical instead of the bigger and cumbersome traditional units.

### High reliability

Alfa Electric only uses the best quality ball bearing fans. They ensure a high efficiency and have an expected life of 30.000 working hours at an ambient temperature of 55°C. They are all designed to ensure a quick and safe electrical connection.

### Optimal enclosure protection

The special configuration of the grill, the self-adhesive gasket and the filter mat ensure an IP54 protection degree towards the enclosure.

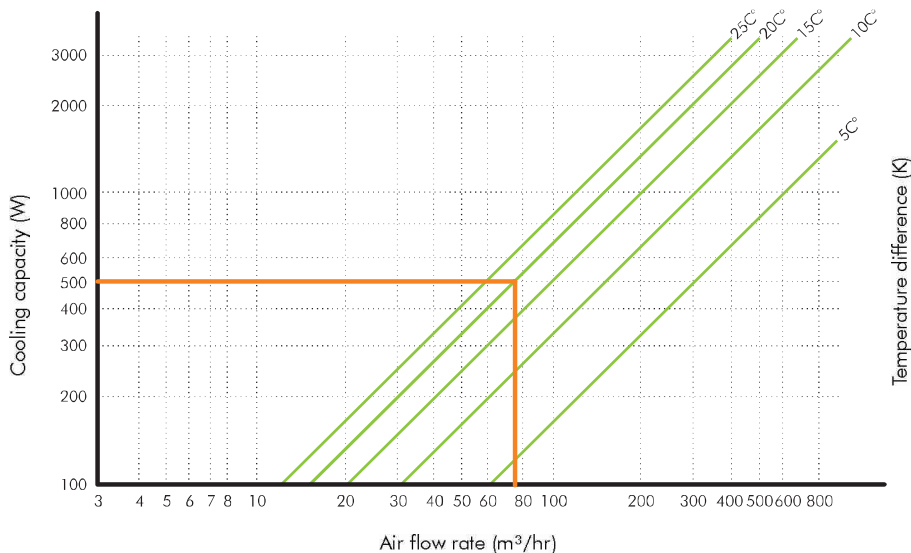
### Power supply

Alfa Electric filter fans are available in the following AC supply voltages: 230V single-phase, 115V single-phase and 400V three-phase, all bi-frequency 50-60 Hz. In addition, 24 and 48VDC versions are available up to 230 m<sup>3</sup>/h. On request they can also be available with other rated voltages not shown in this catalogue.

### Filter units

To achieve optimal cooling air circulation, filter fans are used together with filter units. Filter units are available in four different sizes and have the same design of the external part of a filter fan.

Cooling performance diagram

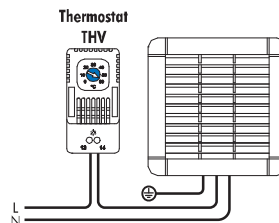


### Example:

Waste heat to be removed 500W  
 Temperature difference 20K  
 Air flow required 78m<sup>3</sup>/hr

Filter fan unit solution: n. 1 ALFA2300BP  
 +  
 n. 1 ALFA2000BP

When selecting a Filter Fan unit, always keep a margin of at least 10% to compensate for any air flow decay due to filter mat clogging.





### ALFAA5



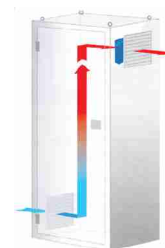
Features	Unit	ALFAA000BP	ALFAA500BP	ALFAA510BP	ALFAA512BP	ALFAA524BP
Air flow rate (free blow)	m <sup>3</sup> /h	-	24(28)		24	
Flow rate with exit filter	m <sup>3</sup> /h	-	14(17)		14	
Power supply	V/Hz	-	230/50-60	115/50-60	12DC	24DC
Dimensions HxWxD	mm	114x114x17	114x114x57		114x114x45	
Power consumption	W	-	13(12)		3	4
Current consumption	A	-	0.10(0.08)	0.14(0.12)	0.25	0.16
Overcurrent protection	-	-	impedance			
Electric connection	-	-	faston 2.8x0.5 mm		2-pole terminal 1.5 mm <sup>2</sup>	
Duty cycle	-	-	100%			
Operating temperature	°C	-	-10/+70			
Protection degree/class	-	IP54	IP54/Class I			
Noise level	dB(A)	-	30(35)		35	
Flow direction	-	-	outside-in			
Bearing	-	-	ball			
Filter mat (Eurovent)	-	-	EU2			
Service life (at 40°C)	hr	-	50,000			
Material	-	ABS UL94V-0 Color RAL7032				
Wall thickness	mm	1.2-2.4				
Gasket	-	self-adhesive				
Weight (with packaging)	kg	0.06(0.10)	0.38(0.43)		0.18(0.23)	
Package dimensions	mm	120x120x20	120x120x60			
Mounting	-	Fast Clip-on				
Conformity/Approvals	-	CE				

#### Versions

UL & CE File n. E301228	ALFAA000BPU	ALFAA500BPU	ALFAA510BPU	ALFAA512BPU	ALFAA524BPU
RAL7035 - Code ending	B				
EMC - Code ending	M				
Reverse flow - Code ending	-			PR	

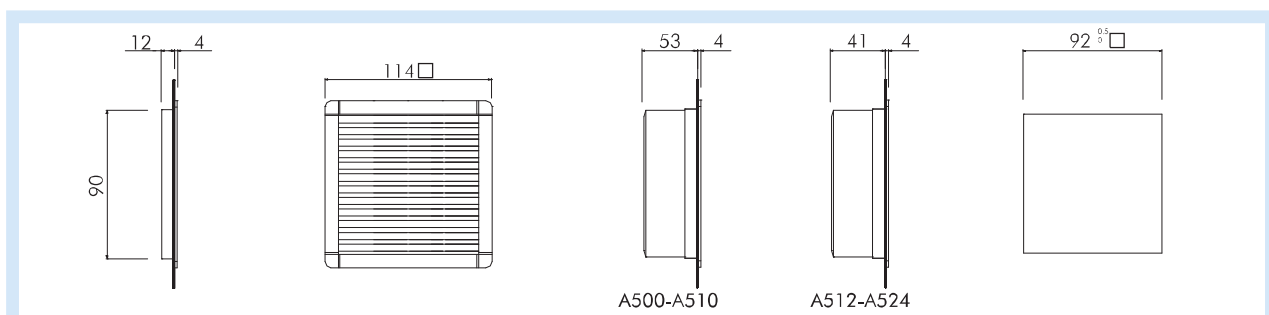
#### Accessories

Filter mat, standard type		ALFAPB00
Filter mat, high efficiency		ALFAPB00X
Thermostat, NO contact	-	THV02



#### TIP

If possible it is better to use the units with the air flow from the outside to the enclosure inside. The slight pressurization of the panel prevents dust from getting through any openings.





### ALFA15 - ALFA16



Features	Unit	ALFA1000BP	ALFA1600BP	ALFA1610BP	ALFA1524BPT	ALFA1548BPT
Air flow rate (free blow)	m <sup>3</sup> /h	-	55(60)		55	
Flow rate with exit filter	m <sup>3</sup> /h	-	40(45)		40	
Power supply	V/Hz	-	230/50-60	115/50-60	24DC	48DC
Dimensions HxWxD	mm	150x150x28	150x150x77			
Power consumption	W	-	22(21)		9	13
Current consumption	A	-	0.14(0.12)	0.26(0.24)	0.37	0.27
Overcurrent protection	-	-	impedance			
Electric connection	-	-	faston 2.8x0.5 mm		2-pole terminal 1.5 mm <sup>2</sup>	
Duty cycle	-	-	100%			
Operating temperature	°C	-	-10/+70			
Protection degree/class	-	IP54	IP54/Class I			
Noise level	dB(A)	-	43(49)		45	
Flow direction	-	-	outside-in			
Bearing	-	-	ball			
Filter mat (Eurovent)	-	EU3				
Service life (at 40°C)	hr	-	50,000			
Material	-	ABS UL94V-0 Color RAL7032				
Wall thickness	mm	1.2-2.4				
Gasket	-	self-adhesive				
Weight (with packaging)	kg	0.16(0.21)	0.78(0.85)		0.47(0.54)	
Package dimensions	mm	165x165x45	165x165x85			
Mounting	-	Fast Clip-on				
Conformity/Approvals	-	CE				

#### Versions

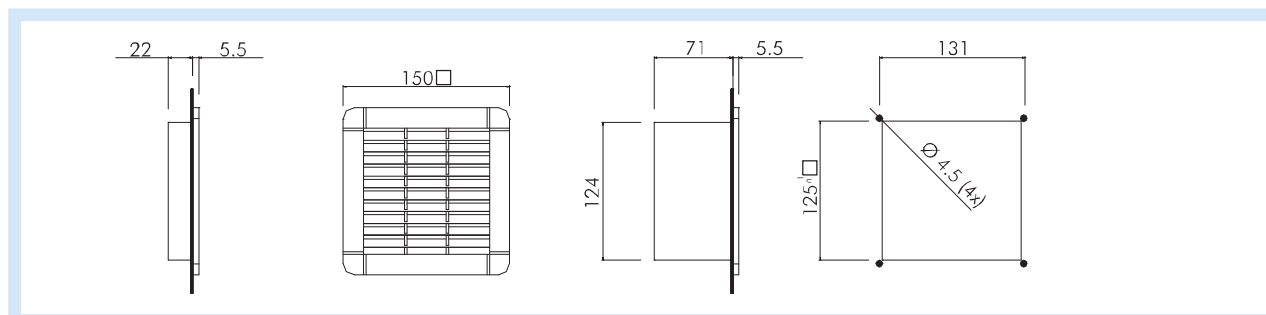
UL File n. E301228	ALFA1000BPU	ALFA1600BPU	ALFA1610BPU	ALFA1524BPTU	ALFA1548BPTU
RAL7035 - Code ending	B				
EMC - Code ending	M				
Reverse flow - Code ending	-			PR	

#### Accessories

Filter mat, standard type	ALFAFBP10				
Filter mat, high efficiency	ALFAFBP10X				
Thermostat, NO contact	-			THV02	
Power cord 1m	-		SPINOTTOA2-10		

#### TIP

If you are using the high filtering capacity filter mat remember that air flow rate will decrease.





### ALFAB5



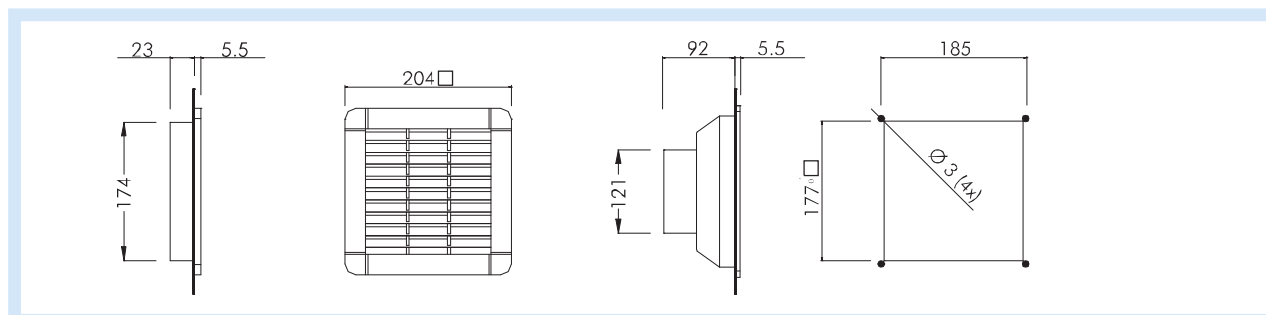
Features	Unit	ALFAB000BP	ALFAB500BP	ALFAB510BP	ALFAB524BPT	ALFAB548BPT
Air flow rate (free blow)	m <sup>3</sup> /h	-	100(110)		100	
Flow rate with exit filter	m <sup>3</sup> /h	-	75(90)		75	
Power supply	V/Hz	-	230/50-60	115/50-60	24DC	48DC
Dimensions HxWxD	mm	204x204x30	204x204x98			
Power consumption	W	-	22(21)		9	13
Current consumption	A	-	0.14(0.12)	0.26(0.24)	0.37	0.27
Overcurrent protection	-	-	impedance			
Electric connection	-	-	faston 2.8x0.5 mm		2-pole terminal 1.5 mm <sup>2</sup>	
Duty cycle	-	-	100%			
Operating temperature	°C	-	-10/+70			
Protection degree/class	-	IP54	IP54/Class I			
Noise level	dB(A)	-	43(49)		45	
Flow direction	-	-	outside-in			
Bearing	-	-	ball			
Filter mat (Eurovent)	-	EU3				
Service life (at 40°C)	hr	-	50,000			
Material	-	ABS UL94V-0 Color RAL7032				
Wall thickness	mm	1.2-2.4				
Gasket	-	self-adhesive				
Weight (with packaging)	kg	0.26(0.36)	1.00(1.20)		0.70(0.90)	
Package dimensions	mm	280x260x40	270x270x130			
Mounting	-	Fast Clip-on				
Conformity/Approvals	-	CE				

#### Versions

UL File n. E301228	ALFAB000BPU	ALFAB500BPU	ALFAB510BPU	ALFAB524BPTU	ALFAB548BPTU
RAL7035 - Code ending	B				
EMC - Code ending	M				
Reverse flow - Code ending	-	-	-	PR	-

#### Accessories

Filter mat, standard type	ALFABPB0				
Filter mat, high efficiency	ALFABPB0X				
Thermostat 0-60°C, N. Open	-	-	THV02	-	-
Power cord 1m	-	SPINOTTOA2-10	-	-	-





### ALFAB6



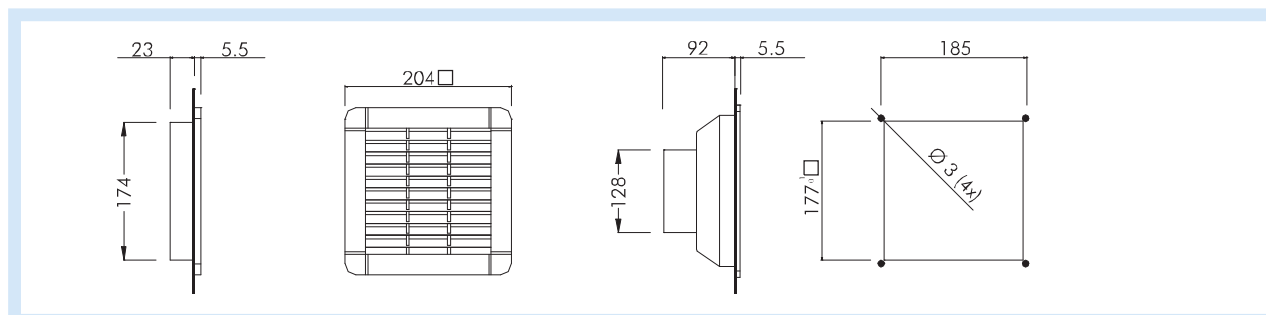
Features	Unit	ALFAB000BP	ALFAB600BP	ALFAB610BP	ALFAB624BPT	ALFAB648BPT
Air flow rate (free blow)	m <sup>3</sup> /h	-	110(120)		110	
Flow rate with exit filter	m <sup>3</sup> /h	-	80(95)		80	
Power supply	V/Hz	-	230/50-60	115/50-60	24DC	48DC
Dimensions HxWxD	mm	204x204x30	204x204x98			
Power consumption	W	-	24(23)		9	13
Current consumption	A	-	0.15(0.13)	0.30(0.26)	0.37	0.27
Overcurrent protection	-	-	impedance			
Electric connection	-	-	faston 2.8x0.5 mm		2-pole terminal 1.5 mm <sup>2</sup>	
Duty cycle	-	-	100%			
Operating temperature	°C	-	-10/+70			
Protection degree/class	-	IP54	IP54/Class I			
Noise level	dB(A)	-	43(49)		45	
Flow direction	-	-	outside-in			
Bearing	-	-	ball			
Filter mat (Eurovent)	-	EU3				
Service life (at 40°C)	hr	-	50,000			
Material	-	ABS UL94V-0 Color RAL7032				
Wall thickness	mm	1.2-2.4				
Gasket	-	self-adhesive				
Weight (with packaging)	kg	0.26(0.36)	0.95(1.15)		0.65(0.85)	
Package dimensions	mm	280x260x40	270x270x130			
Mounting	-	Fast Clip-on				
Conformity/Approvals	-	CE				

#### Versions

UL File n. E301228	ALFAB000BPU	ALFAB600BPU	ALFAB610BPU	-	-
RAL7035 - Code ending				B	
EMC - Code ending				M	
Reverse flow - Code ending	-			PR	

#### Accessories

Filter mat, standard type	ALFABPB0				
Filter mat, high efficiency	ALFABPB0X				
Thermostat 0-60°C, N. Open	-			THV02	
Power cord 1m	-		SPINOTTOA2-10		-





### ALFA23



Features	Unit	ALFA2000BP	ALFA2300BP	ALFA2310BP	ALFA2324BPT	ALFA2348BPT
Air flow rate (free blow)	m <sup>3</sup> /h	-	105(120)		105	
Flow rate with exit filter	m <sup>3</sup> /h	-	80(95)		80	
Power supply	V/Hz	-	230/50-60	115/50-60	24DC	48DC
Dimensions HxWxD	mm	250x250x30	250x250x111			
Power consumption	W	-	22(21)		9	13
Current consumption	A	-	0.14(0.12)	0.26(0.24)	0.37	0.27
Overcurrent protection	-	-	impedance			
Electric connection	-	-	faston 2.8x0.5 mm		2-pole terminal 1.5 mm <sup>2</sup>	
Duty cycle	-	-	100%			
Operating temperature	°C	-	-10/+70			
Protection degree/class	-	IP54	IP54/Class I			
Noise level	dB(A)	-	43(49)		45	
Flow direction	-	-	outside-in			
Bearing	-	-	ball			
Filter mat (Eurovent)	-	EU3				
Service life (at 40°C)	hr	-	50,000			
Material	-	ABS UL94V-0 Color RAL7032				
Wall thickness	mm	1.2-2.4				
Gasket	-	self-adhesive				
Weight (with packaging)	kg	0.42(0.52)	1.20(1.40)		0.90(1.10)	
Package dimensions	mm	280x260x40	270x270x130			
Mounting	-	Fast Clip-on				
Conformity/Approvals	-	CE				

#### Versions

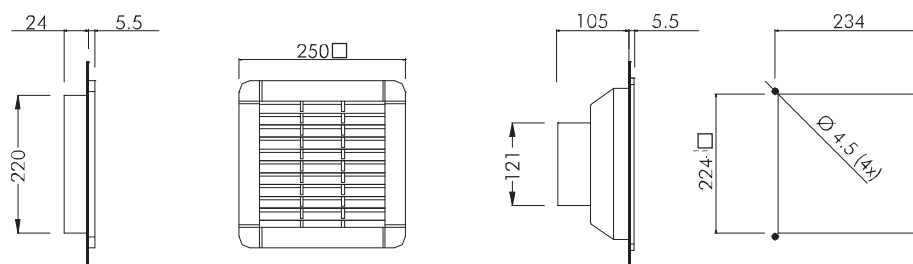
UL & IEC File n. E301228	ALFA2000BPU	ALFA2300BPU	ALFA2310BPU	ALFA2324BPTU	ALFA2348BPTU
RAL7035 - Code ending	B				
EMC - Code ending	M				
Reverse flow - Code ending	-	-	-	PR	-

#### Accessories

Filter mat, standard type	ALFAFBP20				
Filter mat, high efficiency	ALFAFBP20X				
Thermostat 0-60°C, N. Open	-	-	THV02	-	-
Power cord 1m	-	SPINOTTOA2-10	-	-	-

#### TIP

DC powered filter fan units can be the best way to prevent EMC interference to monitors and other sensitive equipment inside the enclosure.





### ALFA24



Features	Unit	ALFA2000BP	ALFA2400BP	ALFA2410BP	ALFA2424BPT	ALFA2448BPT
Air flow rate (free blow)	m <sup>3</sup> /h	-	120(130)		120	
Flow rate with exit filter	m <sup>3</sup> /h	-	95(105)		95	
Power supply	V/Hz	-	230/50-60	115/50-60	24DC	48DC
Dimensions HxWxD	mm	250x250x30	250x250x111			
Power consumption	W	-	24(23)		9	13
Current consumption	A	-	0.15(0.13)	0.30(0.26)	0.37	0.27
Overcurrent protection	-	-	impedance			
Electric connection	-	-	faston 2.8x0.5 mm		2-pole terminal 1.5 mm <sup>2</sup>	
Duty cycle	-	-	100%			
Operating temperature	°C	-	-10/+70			
Protection degree/class	-	IP54	IP54/Class I			
Noise level	dB(A)	-	43(49)		45	
Flow direction	-	-	outside-in			
Bearing	-	-	ball			
Filter mat (Eurovent)	-	EU3				
Service life (at 40°C)	hr	-	50,000			
Material	-	ABS UL94V-0 Color RAL7032				
Wall thickness	mm	1.2-2.4				
Gasket	-	self-adhesive				
Weight (with packaging)	kg	0.42(0.52)	1.25(1.45)		0.95(1.15)	
Package dimensions	mm	280x260x40	270x270x130			
Mounting	-	Fast Clip-on				
Conformity/Approvals	-	CE				

#### Versions

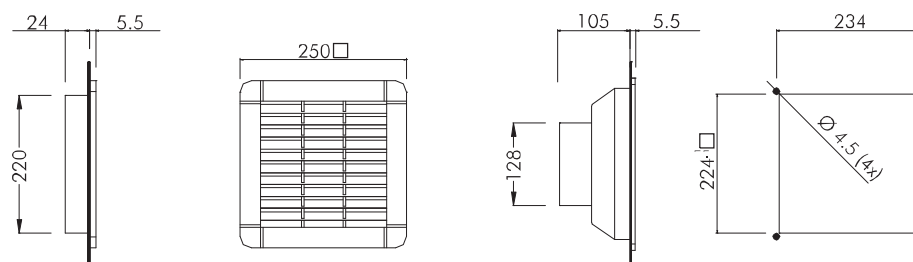
UL File n. E301228	ALFA2000BPU	ALFA2400BPU	ALFA2410BPU	-	-
RAL7035 - Code ending	B				
EMC - Code ending	M				
Reverse flow - Code ending	-			PR	

#### Accessories

Filter mat, standard type	ALFAFBP20				
Filter mat, high efficiency	ALFAFBP20X				
Thermostat 0-60°C, N. Open	-			THV02	
Power cord 1m	-		SPINOTTOA2-10		

#### TIP

The filter fan unit can be switched on by a thermostat that will power it only when the temperature exceeds a set threshold (e.g. 35°C). The fan works only when cooling is needed which saves energy, increases the lifetime of the filter mat and reduce maintenance frequency.





### ALFA25 - ALFA26



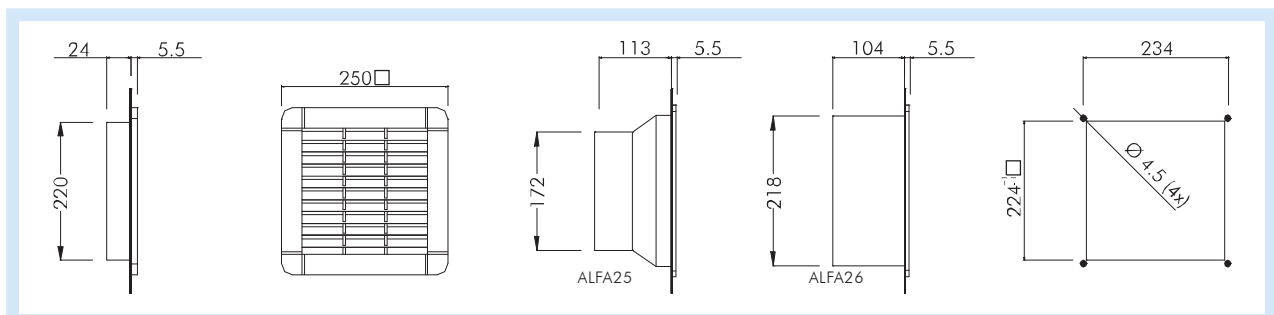
Features	Unit	ALFA2000BP	ALFA2500BP	ALFA2510BP	ALFA2524BPT	ALFA2548BPT	ALFA2600BP	ALFA2610BP	ALFA2640BP
Air flow rate (free blow)	m <sup>3</sup> /h	-	230(260)	230	230	370(400)			
Flow rate with exit filter	m <sup>3</sup> /h	-	180(210)	180	180	250(270)			
Power supply	V/Hz	-	230/50-60	115/50-60	24DC	48DC	230/50-60	115/50-60	400/50-60
Dimensions HxWxD	mm	250x250x30	250x250x119			250x250x110			
Power consumption	W	-	40(38)	26	33	70(90)	60(70)		
Current consumption	A	-	0.17(0.16)	0.34(0.32)	1.08	0.68	0.40(0.38)	0.80(0.76)	0.18(0.15)
Overcurrent protection	-	-	thermal		impedance		thermal		
Electric connection	-	-	3-pole terminal 2.5 mm <sup>2</sup>			4-pole terminal 1.5 mm <sup>2</sup>			
Duty cycle	-	-	100%						
Operating temperature	°C	-	-10/+70						
Protection degree/class	-	IP54	IP54/Class I						
Noise level	dB(A)	-	53(58)	61	65(68)				
Flow direction	-	-	outside-in						
Bearing	-	-	ball						
Filter mat (Eurovent)	-	EU3							
Service life (at 40°C)	hr	-	50,000						
Material	-	ABS UL94V-0 Color RAL7032							
Wall thickness	mm	1.2-2.4							
Gasket	-	self-adhesive							
Weight (with packaging)	kg	0.42(0.52)	1.60(1.80)	1.20(1.40)	2.50(2.70)				
Package dimensions	mm	280x260x40	270x270x130						
Mounting	-	Fast Clip-on							
Conformity/Approvals	-	CE							

#### Versions

UL File n. E301228	ALFA2000BPU	ALFA2500BPU	ALFA2510BPU	ALFA2524BPTU	ALFA2548BPTU	ALFA2600BPU	ALFA2610BPU	-
RAL7035 - Code ending	B							
EMC - Code ending	M							
Reverse flow - Code ending	-	PR						

#### Accessories

Filter mat, standard type	ALFAFBP20							
Filter mat, high efficiency	ALFAFBP20X							
Thermostat 0-60°C, N. Open	-	THV02						







### ALFA35 - ALFA36



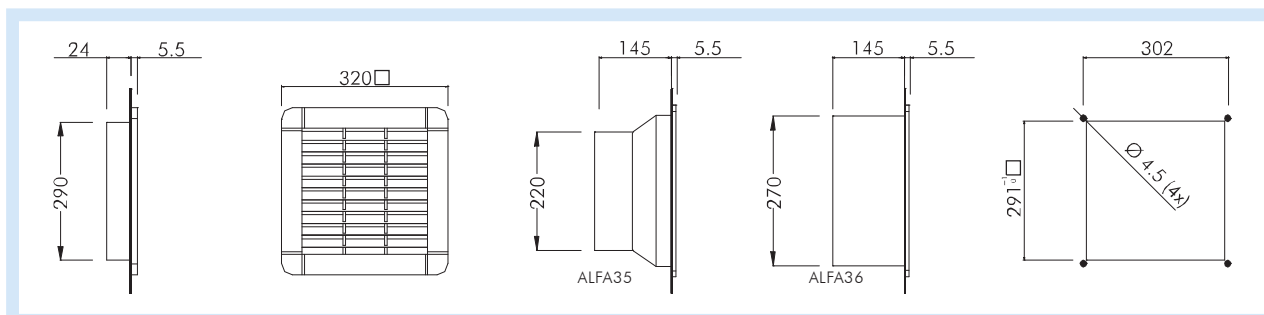
Features	Unit	ALFA3000BP	ALFA3500BP	ALFA3510BP	ALFA3540BP	ALFA3600BP	ALFA3610BP
Air flow rate (free blow)	m <sup>3</sup> /h	-	500(570)			630(700)	
Flow rate with exit filter	m <sup>3</sup> /h	-	370(410)			470(520)	
Power supply	V/Hz	-	230/50-60	115/50-60	400/50-60	230/50-60	115/50-60
Dimensions HxWxD	mm	325x325x30		325x325x151			
Power consumption	W	-	70(90)		60(70)	130(180)	
Current consumption	A	-	0.40(0.38)	0.80(0.76)	0.18(0.15)	0.55(0.81)	1.10(1.62)
Overcurrent protection	-	-	thermal				
Electric connection	-	-	3-pole terminal 2.5 mm <sup>2</sup>			4-pole terminal 1.5 mm <sup>2</sup>	
Duty cycle	-	-	100%				
Operating temperature	°C	-	-10/+70				
Protection degree/class	-	IP54		IP54/Class I			
Noise level	dB(A)	-	65(68)			72(73)	
Flow direction	-	-	outside-in				
Bearing	-	-	ball				
Filter mat (Eurovent)	-	EU3					
Service life (at 40°C)	hr	-	50,000				
Material	-	ABS UL94V-0 Color RAL7032					
Wall thickness	mm	1.2-2.4					
Gasket	-	self-adhesive					
Weight (with packaging)	kg	0.64(0.78)	3.00(3.25)			3.65(3.90)	
Package dimensions	mm	340x330x45		330x330x155			
Mounting	-	Fast Clip-on					
Conformity/Approvals	-	CE					

#### Versions

UL File n. E301228	ALFA3000BPU	ALFA3500BPU	ALFA3510BPU	-	-	-
RAL7035 - Code ending	B					
EMC - Code ending	M					
Reverse flow - Code ending	-	-	-	PR		

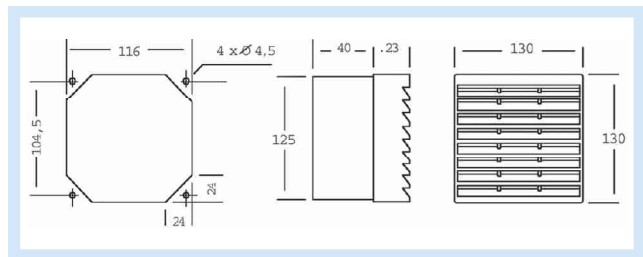
#### Accessories

Filter mat, standard type	ALFAFBP30					
Filter mat, high efficiency	ALFAFBP30X					
Thermostat 0-60°C, N. Open	-	-	-	THV02		

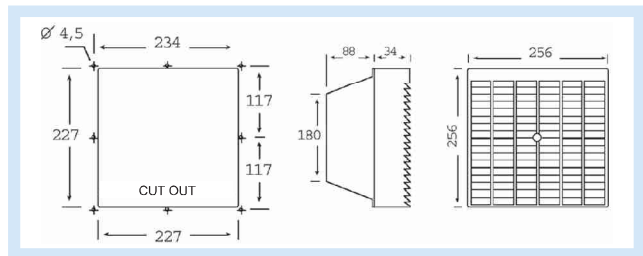




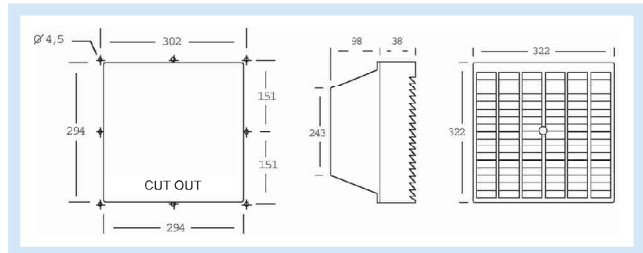
### ALFA 1000 series



### ALFA 2000 series



### ALFA 3000 series



Model	Description	Voltage (V)	Frequency (Hz)	Power (W)	Absorbed current (A)	Noise level dB (A)	Filter fan air volume free blowing m³/h	Filter fan air volume with exit filter **m³/h
ALFA 1000 AP	Filter 130x130							
ALFA 1524 APT	Filter fan 130x130	24 DC		9	0.37	47	55	40
ALFA 1548 APT	Filter fan 130x130	48 DC		13	0.27	47	55	40
ALFA 1600 AP	Filter fan 130x130	230	50/60	19/18	0.14/0.12	46/50	55/60	40/45
ALFA 1610 AP	Filter fan 130x130	115	50/60	19/18	0.25/0.19	46/50	55/60	40/45
ALFA 2000 AP	Filter 256x256							
ALFA 2324 APT	Filter fan 256x256	24 DC		9	0.37	47	105	80
ALFA 2348 APT	Filter fan 256x256	48DC		13	0.27	47	105	80
ALFA 2400 AP	Filter fan 256x256	230	50/60	19/18	0.14/0.12	47/53	120/130	95/105
ALFA 2410 AP	Filter fan 256x256	115	50/60	19/18	0.25/.019	47/53	120/130	95/105
ALFA 2500 AP	Filter fan 256x256	230	50/60	40/38	0.30/0.27	56/58	230/260	175/200
ALFA 2510 AP	Filter fan 256x256	115	50/60	40/38	0.60/0.55	56/58	230/260	175/200
ALFA 2524 APT	Filter fan 256x256	24 DC		22	1.08	56	230	175
ALFA 2548 APT	Filter fan 256x256	48 DC		33	0.68	56	230	175
ALFA 3000 AP	Filter 325x325							
ALFA 3500 AP	Filter fan 325x325	230	50/60	70/90	0.40/0.38	65/68	480/530	350/380
ALFA 3510 AP	Filter fan 325x325	115	50/60	70/90	0.80/0.76	65/68	480/530	350/380
ALFA 3540 AP	Filter fan 325x325	400-3	50/60	60/70	0.18/0.15	65/68	500/550	350/380

\*\*Jointed an exit filter of equal dimension

TECHNICALFEATURES: products comply with directives 73/23/EEC and 89/336/EEC; ball bearing axial fans marked CE (some models available with UL and CSA approval); plastic material self-extinguish ABS V0 RAL 7032/7035 black on request; high efficiency dust filters made of self-extinguish acrylic fibre; protection degree IP54.



### ALFATORR ROOF FAN AND VENT



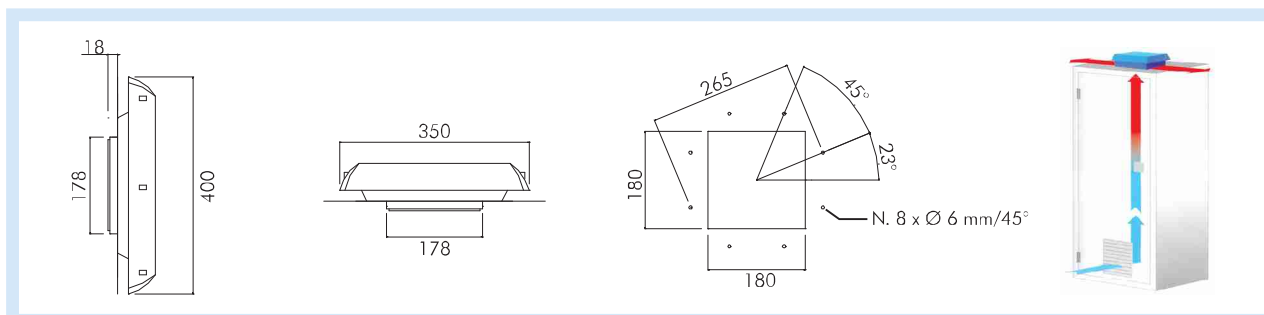
Features	Unit	ALFATORR	ALFATORR0600	ALFATORR0610	ALFATORR0860	ALFATORR0861	ALFATORR1000	ALFATORR1010
Air flow rate (free blow)	m <sup>3</sup> /h	-	600(625)		860(950)		1,000(1,050)	
Flow rate with inlet filter	m <sup>3</sup> /h	-	430(450)		580(640)		700(720)	
Power supply	V/Hz	-	230/50-60	115/50-60	230/50-60	115/50-60	230/50-60	115/50-60
Dimensions HxWxD	mm	400x350x102	400x350x102					
Power consumption	W	-	70(90)		85(115)		120(170)	
Current consumption	A	-	0.32(0.40)	0.64(0.80)	0.43(0.50)	0.86(1.00)	0.50(0.75)	1.00(1.50)
Overcurrent protection	-	-	thermal					
Electric connection	-	-	4-pole terminal 2.5 mm <sup>2</sup>					
Duty cycle	-	-	100%					
Operating temperature	°C	-	-10/+70					
Protection degree enclosure side	-	-	IP44					
Protection class	-	-	Class I					
Noise level	dB(A)	-	64(65)		72(73)			
Flow direction	-	-	inside-out					
Bearing	-	-	ball					
Service life (at 40°C)	hr	-	50,000					
Material	-	-	ABS UL94V-0 Color RAL7032					
Gasket	-	-	Polythene					
Weight (with packaging)	kg	2.30(2.50)	3.65(3.85)		4.00(4.20)		4.75(4.95)	
Package dimensions	mm	410x360x130						
Mounting	-	Screws						
Conformity/Approvals	-	CE						

#### Versions

UL File n. E301228	ALFATORRU	ALFATORR0600U	ALFATORR0610U	ALFATORR0860U	ALFATORR0861U	-
RAL7035 - Code ending	M			B		-
EMC - Code ending	-					

#### Accessories

Thermostat 0-60°C, N. Open	-	THV02
Grill with filter mat	-	ALFA3000BP





### ALFATORR14

ROOF FANS



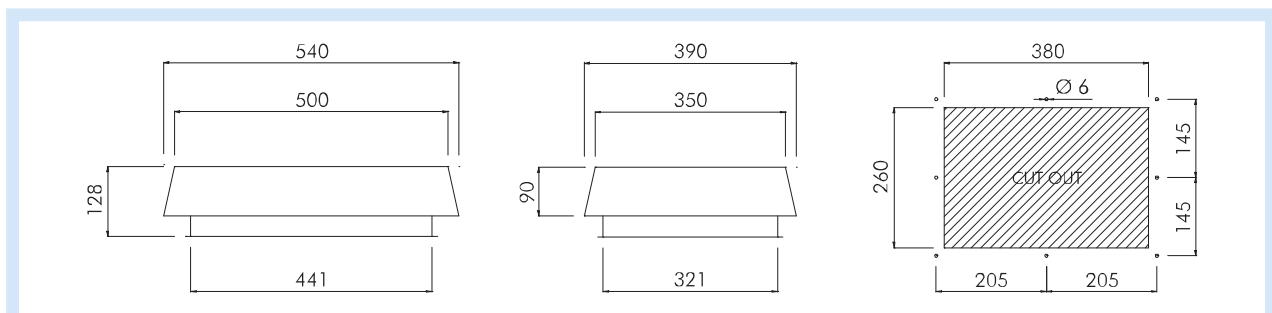
Features	Unit	ALFATORR1450	ALFATORR1451
Air flow rate (free blow)	m <sup>3</sup> /h	1500/(1550)	1500/(1550)
Flow rate with filter fan	m <sup>3</sup> /h	900/(950)	900/(950)
Power supply	V/Hz	230-50/60	115-50/60
Dimensions HxWxD	mm	540x390x128	540x390x128
Power consumption	W	160/(215)	160/(215)
Current consumption	A	0.70/(0.98)	1.40(1.96)
Overcurrent protection	-	thermal	thermal
Electric connection	-	4-pole terminal	4-pole terminal
Duty cycle	-	100%	100%
Operating temperature	°C	-20/+50	-20/+50
Protection degree enclosure side/class	-	IP44/Class I	IP44/Class I
Noise level	dB(A)	74/(75)	74/(75)
Flow direction	-	inside-out	inside-out
Bearing	-	ball	ball
Service life (at 40°C)	hr	50,000	50,000
Material	-	metal	metal
Gasket	-	PVC	PVC
Weight (with packaging)	kg	11.3(12.3)	11.3(12.3)
Package dimensions	mm	550x400x140	550x400x140
Mounting	-	Screws	Screws
Conformity/Approvals	-	CE	

#### Versions

RAL7035 - Code ending	B	B
-----------------------	---	---

#### Accessories

Thermostat 0-60°C, N. Open	THV02	THV02
Grill with filter mat	ALFA3000BP	ALFA3000BP





### RACK

FAN TRAYS FOR 19" ENCLOSURES

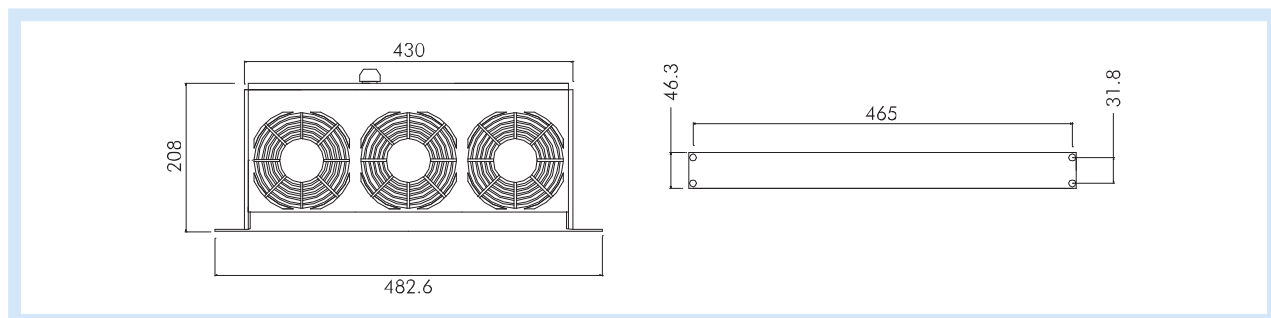


Features	Unit	RACK0222	RACK0212	RACK0224	RACK0248	RACK0322	RACK0312	RACK0324	RACK0348
Air flow rate (free blow)	m <sup>3</sup> /h	300(360)		300		450(540)		450	
Power supply	V/Hz	230/50-60	115/50-60	24DC	48DC	230/50-60	115/50-60	24DC	48DC
Dimensions HxWxD	mm	482x44x208							
Power consumption	W	36(34)		18	28	54(51)		27	42
Current consumption	A	0.26(0.22)	0.48(0.36)	0.75	0.58	0.39(0.33)	0.72(1.08)	1.12	0.88
Overcurrent protection	-	impedance							
Electric connection	-	3-pole terminal 2.5 mm <sup>2</sup>							
Duty cycle	-	100%							
Operating temperature	°C	-10/+70							
Protection degree/class	-	IP30/Class I							
Noise level	dB(A)	51(52)							
Flow direction	-	bottom to top							
Bearing	-	ball							
Service life (at 40°C)	hr	50,000							
Material	-	PC-ABS UL94V-0 Color RAL7035							
Weight (with packaging)	kg	2.10(2.30)		1.60(1.80)		2.60(2.80)		1.85(2.05)	
Package dimensions	mm	510x220x65							
Mounting	-	Screws							
Conformity/Approvals	-	CE							

#### Accessories

Thermostat 0-60°C, N. Open

THV02



## AC fans

## DC fans



Code	m <sup>3</sup> /hr	Bearing	Power supply V/Hz	Connection	Dim. mm.
V1081BT230VAC	160	ball	220-240/50-60	fast-on	119x119x38
V1081BT115VAC	160	ball	110-120/50-60	fast-on	119x119x38
V1081BT24VAC	160	ball	24/50-60	fast-on	119x119x38
V1081BT48VAC	160	ball	48/50-60	fast-on	119x119x38
V1081ST230VAC	160	sleeve	220-240/50-60	fast-on	119x119x38
V1081ST115VAC	160	sleeve	110-120/50-60	fast-on	119x119x38
V1081ST24VAC	160	sleeve	24/50-60	fast-on	119x119x38
V1081ST48VAC	160	sleeve	48/50-60	fast-on	119x119x38
V1087BT230VAC	190	ball	220-240/50-60	fast-on	127x127x38
V1087BT115VAC	190	ball	110-120/50-60	fast-on	127x127x38
V108XBT230VAC	105	ball	220-240/50-60	fast-on	120x120x25
V108XBT115VAC	105	ball	110-120/50-60	fast-on	120x120x25
V108JCSW230VA	65	sleeve	220-240/50-60	wires	92x92x38
V108JCSW115VA	65	sleeve	110-120/50-60	wires	92x92x38
V108JCBT230VA	65	ball	220-240/50-60	fast-on	92x92x38
V108JCBT115VA	65	ball	110-120/50-60	fast-on	92x92x38
V108BBT230VAC	50	ball	220-240/50-60	fast-on	92x92x25
V108BBT115VAC	50	ball	110-120/50-60	fast-on	92x92x25
V108BST230VAC	50	sleeve	220-240/50-60	fast-on	92x92x25
V108BST115VAC	50	sleeve	110-120/50-60	fast-on	92x92x25
V108ABT230VAC	45	ball	220-240/50-60	fast-on	80x80x38
V108ABT115VAC	45	ball	110-120/50-60	fast-on	80x80x38
V108AST230VAC	45	sleeve	220-240/50-60	fast-on	80x80x38
V108AST115VAC	45	sleeve	110-120/50-60	fast-on	80x80x38
V108AXBT230VA	35	ball	220-240/50-60	fast-on	80x80x25
V108AXBT115VA	35	ball	110-120/50-60	fast-on	80x80x25
V108AXST230VA	35	sleeve	220-240/50-60	fast-on	80x80x25
V108AXST115VA	35	sleeve	110-120/50-60	fast-on	80x80x25
V108EXBT230VA	325	ball	220-240/50-60	fast-on	172x150x51
V108EXBT115VA	325	sleeve	110-120/50-60	fast-on	172x150x51
V108EXST230VA	325	sleeve	220-240/50-60	fast-on	172x150x51
V108EXST115VA	325	ball	110-120/50-60	fast-on	172x150x51
V108EXMBT230V	340	ball	220-240/50-60	fast-on	172x150x38
V108EXMBT115V	340	ball	110-120/50-60	fast-on	172x150x38
V108CBW230VA	350	ball	220-240/50-60	wires	162x150x55
V108CBW115VA	350	ball	110-120/50-60	wires	162x150x55
V108KBW230VAC	600	ball	220-240/50	wires	220x60
V108KBW115VAC	600	ball	110-120/50	wires	220x60
V108HHBT230VA	800	ball	220-240/50-60	fast-on	254x89
V108HHBT115VA	800	ball	110-120/50-60	fast-on	254x89

Code	m <sup>3</sup> /hr	Bearing	Power supply V/Hz	Connection	Dim. mm.
V108EXBW24VDC	460	ball	24 DC	wires	172x150x51
V108EXBW48VDC	460	ball	48 DC	wires	172x150x51
V1087BW24VDC	240	ball	24 DC	wires	127x127x38
V1087BW48VDC	240	ball	48 DC	wires	127x127x38
V1081BW12VDC	180	ball	12 DC	wires	119x119x38
V1081BW24VDC	180	ball	24 DC	wires	119x119x38
V1081BW48VDC	180	ball	48 DC	wires	119x119x38
V1081SW12VDC	180	sleeve	12 DC	wires	119x119x38
V1081SW24VDC	180	sleeve	24 DC	wires	119x119x38
V1081SW48VDC	180	sleeve	48 DC	wires	119x119x38
V108MBW12VDC	150	ball	12 DC	wires	120x120x25
V108MBW24VDC	150	ball	24 DC	wires	120x120x25
V108MSW12VDC	150	sleeve	12 DC	wires	120x120x25
V108MSW24VDC	150	sleeve	24 DC	wires	120x120x25
V108BBW24VDC	100	ball	24 DC	wires	92x92x25
V108DBW12VDC	65	ball	12 DC	wires	80x80x25
V108DBW24VDC	65	ball	24 DC	wires	80x80x25
V108DSW12VDC	65	sleeve	12 DC	wires	80x80x25
V108DSW24VDC	65	sleeve	24 DC	wires	80x80x25
V108FSW24VDC	35	sleeve	24 DC	wires	60x60x25
V108GBW24VDC	15	ball	24 DC	wires	40x40x20

Other articles available on demand

### ALFAKF



#### COMPACT FILTER UNITS

Suitable for direct screw mounting on axial fans. They can also be mounted with the fan inside the enclosure.

The mounting holes have diameter  $\varnothing 6.0-6.5$  mm. The material is black ABS, self-extinguishing, according to UL94 V-O.

Code	Description	Dim. mm.	Pcs in 1 pack
ALFAKF060	Compact filter unit	60x60	1
ALFAKF080	Compact filter unit	80x80	1
ALFAKF092	Compact filter unit	92x92	1
ALFAKF120	Compact filter unit	120x120	1
ALFAKF150	Compact filter unit	150x150	1

### ALFAKR120



#### COMPACT FILTER UNITS - HIGH PERFORMANCE

Compact filter unit with reduced pressure drop. Filter media, steel or acrylic, is easy accessible and cleanable. Available in three versions:

Code	Description	Dim. mm.	Pcs per pack
ALFAKR120	Compact filter unit w/ standard filter mat	125x125x10	20
ALFAKR120R	Compact filter unit w/metallic filter mesh	125x125x10	20
ALFAKR120RF	Compact filter unit w/standard filter mat and metallic filter mesh	125x125x10	20

### SPINOTTO



#### FAN POWER CORDS

Suitable to all fast-on connection fans. Black cable with injection moulded straight plug for 2,8x0,5 mm pins.

Code	Description	Pcs in 1 pack
SPINOTTOA2-06	Straight power cord 600 mm.	1
SPINOTTOA2-10	Straight power cord 1000 mm.	1
SPINOTTOA2-20	Straight power cord 2000 mm.	1

### ALFAFBP



#### ALFAFBPx0 - Spare filter mats for filter fans

Standard filter mats for ALFAxxxxBP filter fans and filter only units. To keep high performance it is necessary to periodically check the level of filter mat clogging and, if necessary, replace it with a new one. These filters are made of self-extinguishing synthetic fibres with a progressive filtering capacity.

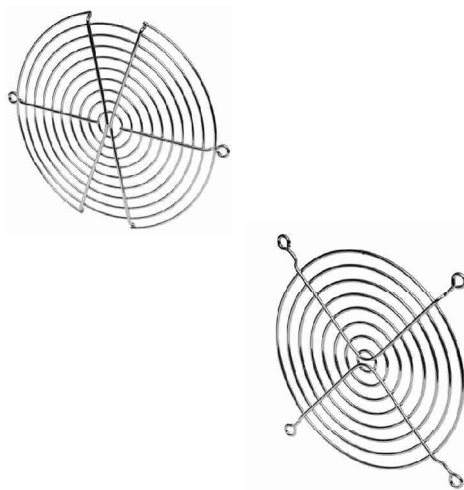
Code	Description	Pcs in 1 pack
ALFAFBPA0	Filter mat for ABPA000	10
ALFAFBP10	Filter mat for ABP1000	10
ALFAFBPB0	Filter mat for ABPB000	10
ALFAFBP20	Filter mat for ABP2000	10
ALFAFBP30	Filter mat for ABP3000	10

#### ALFAFBPxOX - High efficiency spare filter mats for filter fans

High efficiency filter mats are used in is very fine dust environments. However, air flow rates is substantially reduced and should be accounted for when selecting the filter fan.

Code	Description	Pcs in 1 pack
ALFAFBPAOX	Filter mat for ABPA000, high efficiency	10
ALFAFBP1OX	Filter mat for ABP1000, high efficiency	10
ALFAFBPB0X	Filter mat for ABPB000, high efficiency	10
ALFAFBP2OX	Filter mat for ABP2000, high efficiency	10
ALFAFBP3OX	Filter mat for ABP3000, high efficiency	10

### ALFAGM



#### METALLIC PROTECTION GRILLS

Finger guard metallic protection grills for axial fans.

Range Ø 40-150 mm

Complying with international safety norms.

Code	Description	Dim. mm.	Pcs in 1 pack
ALFAGM040	Metallic finger protection grill	Ø 40	100
ALFAGM060	Metallic finger protection grill	Ø 60	100
ALFAGM080	Metallic finger protection grill	Ø 80	100
ALFAGM092	Metallic finger protection grill	Ø 92	100
ALFAGM120	Metallic finger protection grill	Ø 120	100
ALFAGM127	Metallic finger protection grill	Ø 127	100
ALFAGM150	Metallic finger protection grill	Ø 150	100
ALFAGM220	Metallic finger protection grill	Ø 220	100
ALFAGM254	Metallic finger protection grill	Ø 254	100