

CODE 780.3.XXX

HIGH SPEED BRUSHLESS MOTOR

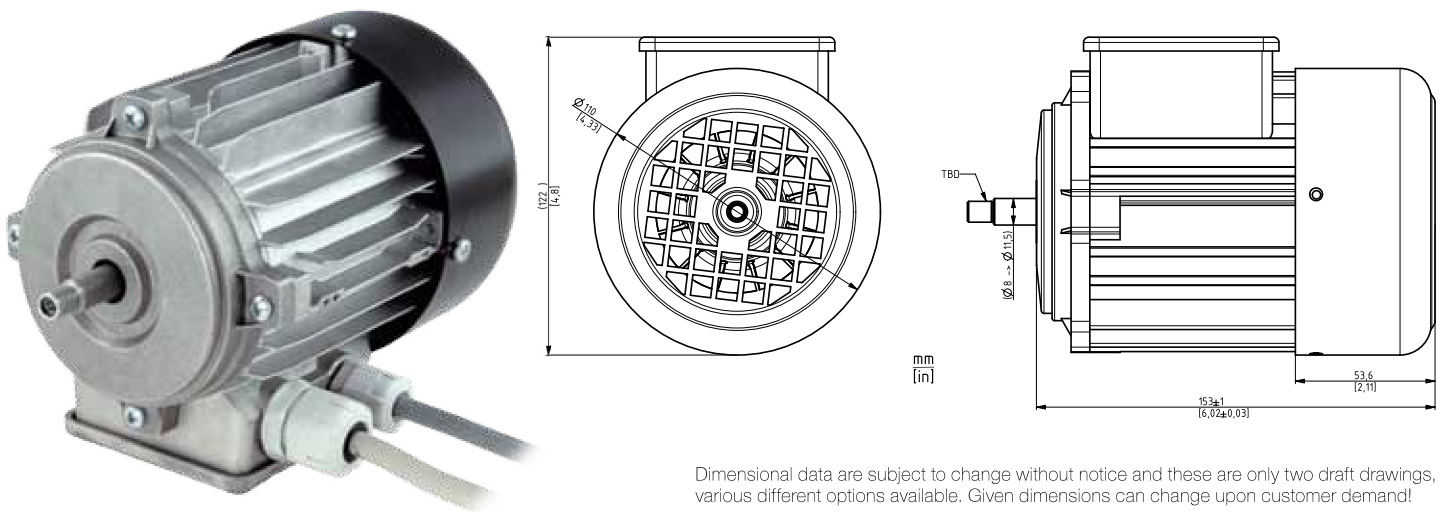
(\varnothing of stator 83mm)

The main advantage of electronically commutated brushless motors is maintenance free operation combined with high efficiency. The high efficiency helps to reduce the energy costs of the complete system. A high efficient brushless motor uses about a third less energy as conventional AC motor.

For high speed brushless motor an inner rotor is used. In 780 series stator with \varnothing 83mm is used, which is suitable for various high-speed applications. For different applications we can modify: housing,

flange, sealing and protection of the motor, shaft, speed regulation and complete design up to customer request. We have capabilities of modifying also the cooling of the motor, which could be achieved in various options.

Domel can custom design and manufacture brushless motors on your specific requirements incorporating the latest technologies. We are able to offer our expertise on development of different brushless solutions.



Dimensional data are subject to change without notice and these are only two draft drawings, various different options available. Given dimensions can change upon customer demand!

OTHER CUSTOM-DESIGN SOLUTIONS UP ON YOUR REQUEST !!
"PLEASE CONTACT US"

