

Transmission elements

STANDARD MACHINE ELEMENTS WORLDWIDE

elesa[®]

Transmission elements

The transmission elements in glass-fibre reinforced polyamide based technopolymer are an efficient alternative to metal transmission elements and can be used in all applications requiring noise reduction or the avoidance for the need of lubrication. The lightness of the technopolymer transmission elements allows their application in fields requiring a general weight reduction as well. Moreover, the technopolymer's high resistance to chemical agents limits corrosion in aggressive environments.

The steel gears are often oversized for the effective application they are used for: in this case, the technopolymer gears are an excellent solution and ensure a good mechanical resistance combined with an economical saving.

Application fields for technopolymer gears are various:

- Packaging and conveyor machines
- Industrial cleaning machines
- Glass and ceramic working machines
- Catering equipment
- Typographic industry
- Agricultural machines
- Chemical and pharmaceutical industry
- Household appliances



Coupling

The technopolymer transmission elements can be paired with both technopolymer and metal gears. In the case of coupling with metal gears, the higher thermal conductivity of the metal allows a faster dissipation of the heat accumulated during the operation. In the case of metal-technopolymer coupling, the metal pinion and the technopolymer gear are the best option, as the wear of the technopolymer toothed gear is lower.

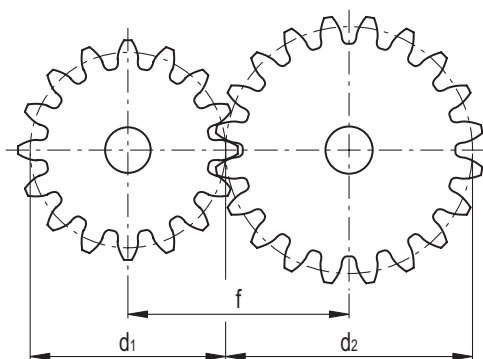
Operating distance

In order to get an optimal meshing between two gears, it is necessary to have a positive backlash between the centers of the two shafts: the effective distance "f" between the two centers of the shafts on which the gears are mounted must be slightly longer than the distance $(d_1+d_2)/2$, where d_1 and d_2 are the pitch diameters of the two gears.

$$f = \frac{d_1 + d_2}{2} + t$$

The meshing without backlash or with a negative backlash would increase the friction between the teeth, thus increasing the operating temperature and diminishing the resistance to wear and stress. To avoid these problems, for ELESa gears, the following tolerances "t" are recommended:

- (+0.03 +0.1) for modules 0.5 – 1.0 – 1.5
- (+0.08 +0.3) for bigger modules



Lubrication

One of the main advantages of the reinforced technopolymer gears is the chance to use them without lubricating oil, thanks to the intrinsic nature of the polymers. Where possible, the use of lubrication is however recommended, to reduce friction and wear, thus increasing the service life of the product. For Elesa gears it is recommended to use lubricating grease based on lithium soaps and synthetic oil.

On equal use conditions, revolutions per minute and torque, the use of lubricants considerably increases the service life of the gears if compared with their operating in dry conditions.

Machining

For a correct operation on the technopolymer spur gears, the mechanical machining has to be made by positioning the clamps on the teeth, as shown in the Fig.3. The diameter of the clamps must be turned by referring to the tip of the gear.

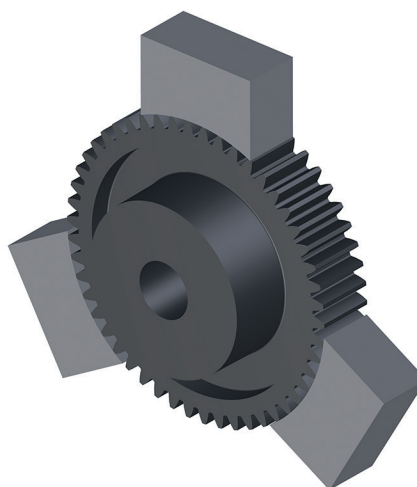


Fig.3: Gears machining

Materials

ELESA spur gears and racks are made of glass-fibre reinforced polyamide based technopolymer. The main mechanical characteristics of this type of material are:

- High resistance to torsion and tensile strength (about three times higher than acetal resin)
- Good resistance to high temperatures
- Low friction coefficient, especially if compared to steel. Accordingly, the technopolymer gears can be used even when lubrication is not allowed
- Low specific weight, a greater lightness of technopolymer gears over metal gears
- High dimensional stability, high resistance to wear and chemical agents

ZCL Spur gears

The maximum torques reported in the tables of the technical datasheet are a combination of theoretical calculations and experimental data obtained in the laboratory. The tests have been made in continuous operation and at a speed of 100-150 rpm without any lubrication, to test the worst possible conditions.

The torques in the tables provide a rough indication and cannot be considered valid for every possible application. The operating conditions (rpm, working temperatures, coupling with transmission elements made of different materials, lubricated or dry conditions, continuous or intermittent operation etc.) strongly influence the performance.

ZCR Racks

Unlike the gears, the most important mechanical value for the racks is the maximum stress that can be applied on a single tooth. This is due to the fact that, on this particular transmission element, no torque is applied. The maximum stress values reported in the tables of the datasheet are the results of laboratory tests in which the force applied to the tooth increases until the tooth breaks.

The maximum stress values reported in the datasheet show the maximum stress that can be applied when a single tooth is meshed. An increase in the number of meshed teeth will not linearly increase the maximum applicable stress because only one tooth will ever work in optimal conditions.

MATERIAL

Glass-fibre reinforced polyamide-based (PA) technopolymer, grey colour.

STANDARD EXECUTIONS

- **ZCL-0.5:** module 0.5, not drilled hub (number of teeth $Z \leq 50$) or plain pass-through hole (number of teeth $Z \geq 55$).
- **ZCL-1.0:** module 1.0, not drilled hub (number of teeth $Z = 10$) or plain pass-through hole.
- **ZCL-1.5:** module 1.5, plain pass-through hole.
- **ZCL-2.0:** module 2.0, plain pass-through hole.
- **ZCL-2.5:** module 2.5, plain pass-through hole.
- **ZCL-3.0:** module 3.0, plain pass-through hole.

In the execution with the plain pass-through hole, the size d in the tables represents the diameter of the minimum hole that can be obtained through machining.

FEATURES

The torques indicated in the tables are granted with rpm included between 0 and 150. Torque values can vary depending on lubrication, temperature, pairing with different materials and continuous operating hours.

TECHNICAL DATA

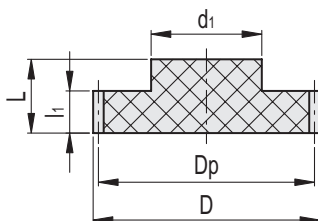
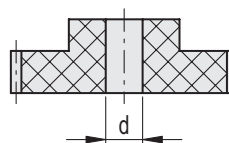
See: Transmission elements (on page 2).

SPECIAL EXECUTIONS ON REQUEST

- Assembly by means of a transversal grub screw.
- Hub with hole and keyway in compliance with DIN 6885/1 tolerance P9.
- Maximum tolerance on plain pass-through hole: IT 9.

MOUNTING

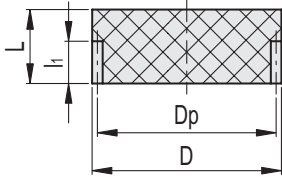
To pair two spur gears, a positive backlash must be considered. For modules 0.5 – 1.0 – 1.5 is recommended the tolerance (+0,03 +0.1). For modules 2.0 – 2.5 – 3.0 is recommended the tolerance (+0,08 +0.3).

**ZCL-0.5 (Z ≤ 50)****ZCL-0.5 (Z ≥ 55)****ZCL-0.5**

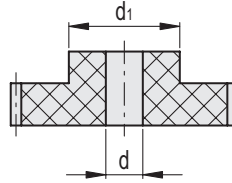
Code	Description	Module M	No. of teeth Z	Dp*	D	L	d	d1	l1	Max. torque [Nm]	⚖️
550011	ZCL-0.5-24	0.5	24	12	13	16	-	10	8	0.7	2
550013	ZCL-0.5-25	0.5	25	12.5	13.5	16	-	10	8	0.7	2
550015	ZCL-0.5-30	0.5	30	15	16	16	-	10	8	0.8	3
550017	ZCL-0.5-32	0.5	32	16	17	16	-	10	8	0.9	3
550019	ZCL-0.5-36	0.5	36	18	19	16	-	10	8	1.0	4
550021	ZCL-0.5-40	0.5	40	20	21	16	-	10	8	1.1	4
550023	ZCL-0.5-45	0.5	45	22.5	23.5	16	-	10	8	1.2	5
550025	ZCL-0.5-48	0.5	48	24	25	16	-	10	8	1.3	6
550027	ZCL-0.5-50	0.5	50	25	26	16	-	10	8	1.4	6
550029	ZCL-0.5-55	0.5	55	27.5	28.5	16	4	20	8	1.5	8
550031	ZCL-0.5-60	0.5	60	30	31	16	4	20	8	1.6	11
550033	ZCL-0.5-70	0.5	70	35	36	16	4	20	8	1.9	13
550035	ZCL-0.5-80	0.5	80	40	41	16	4	20	8	2.2	17

* Pitch diameter.

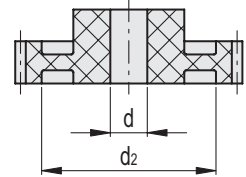
ZCL-1.0 (Z = 10)



ZCL-1.0 (12 ≤ Z ≤ 50)

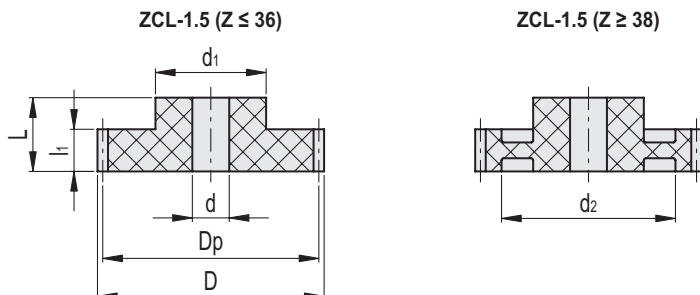


ZCL-1.0 (Z ≥ 55)



ZCL-1.0

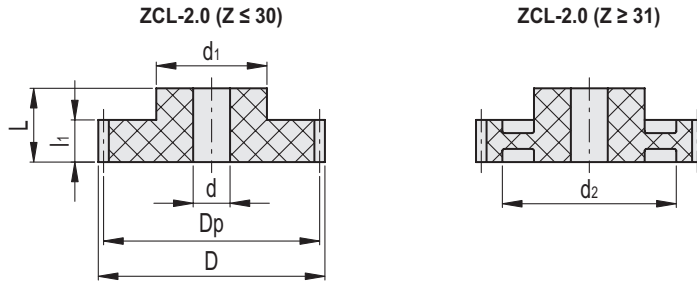
Code	Description	Module M	No. of teeth Z	Dp*	D	L	d	d1	d2	l1	Max. torque [Nm]	⚖️
550101	ZCL-1.0-10	1.0	10	10	12	25	-	-	-	15	2.0	2
550103	ZCL-1.0-12	1.0	12	12	14	25	4	9	-	15	2.5	3
550107	ZCL-1.0-14	1.0	14	14	16	25	4	10	-	15	2.9	4
550109	ZCL-1.0-15	1.0	15	15	17	25	4	10	-	15	3.1	4
550111	ZCL-1.0-16	1.0	16	16	18	25	5	13	-	15	3.3	5
550115	ZCL-1.0-18	1.0	18	18	20	25	5	14	-	15	3.7	6
550119	ZCL-1.0-20	1.0	20	20	22	25	5	16	-	15	4.1	8
550121	ZCL-1.0-21	1.0	21	21	23	25	5	16	-	15	4.3	9
550123	ZCL-1.0-22	1.0	22	22	24	25	5	18	-	15	4.5	9
550127	ZCL-1.0-24	1.0	24	24	26	25	6	20	-	15	4.9	12
550129	ZCL-1.0-25	1.0	25	25	27	25	6	20	-	15	5.1	12
550131	ZCL-1.0-26	1.0	26	26	28	25	6	22	-	15	5.3	13
550133	ZCL-1.0-27	1.0	27	27	29	25	6	22	-	15	5.5	15
550135	ZCL-1.0-28	1.0	28	28	30	25	6	22	-	15	5.7	15
550139	ZCL-1.0-30	1.0	30	30	32	25	6	25	-	15	6.1	18
550143	ZCL-1.0-32	1.0	32	32	34	25	6	25	-	15	6.6	19
550145	ZCL-1.0-33	1.0	33	33	35	25	6	25	-	15	6.8	20
550147	ZCL-1.0-34	1.0	34	34	36	25	8	30	-	15	7.0	24
550149	ZCL-1.0-35	1.0	35	35	37	25	8	30	-	15	7.2	24
550151	ZCL-1.0-36	1.0	36	36	38	25	8	30	-	15	7.4	28
550155	ZCL-1.0-38	1.0	38	38	40	25	8	30	-	15	7.8	28
550157	ZCL-1.0-39	1.0	39	39	41	25	8	30	-	15	8.0	28
550159	ZCL-1.0-40	1.0	40	40	42	25	8	30	-	15	8.2	29
550163	ZCL-1.0-42	1.0	42	42	44	25	10	35	-	15	8.6	35
550167	ZCL-1.0-44	1.0	44	44	46	25	10	35	-	15	9.0	36
550169	ZCL-1.0-45	1.0	45	45	47	25	10	35	-	15	9.2	37
550173	ZCL-1.0-48	1.0	48	48	50	25	10	35	-	15	9.8	42
550177	ZCL-1.0-50	1.0	50	50	52	25	10	35	-	15	10.2	45
550183	ZCL-1.0-55	1.0	55	55	57	25	14	35	44	15	11.3	45
550187	ZCL-1.0-58	1.0	58	58	60	25	14	35	44	15	11.9	49
550189	ZCL-1.0-60	1.0	60	60	62	25	14	40	51	15	12.3	58
550195	ZCL-1.0-65	1.0	65	65	67	25	20	40	51	15	13.3	60
550197	ZCL-1.0-70	1.0	70	70	72	25	20	40	61	15	14.3	71
550201	ZCL-1.0-72	1.0	72	72	74	25	20	40	61	15	14.7	78
550205	ZCL-1.0-74	1.0	74	74	76	25	20	40	61	15	15.2	72
550207	ZCL-1.0-75	1.0	75	75	77	25	20	50	66	15	15.4	74
550209	ZCL-1.0-77	1.0	77	77	79	25	20	50	66	15	15.8	90
550211	ZCL-1.0-80	1.0	80	80	82	25	20	50	66	15	16.4	97




ZCL-1.5

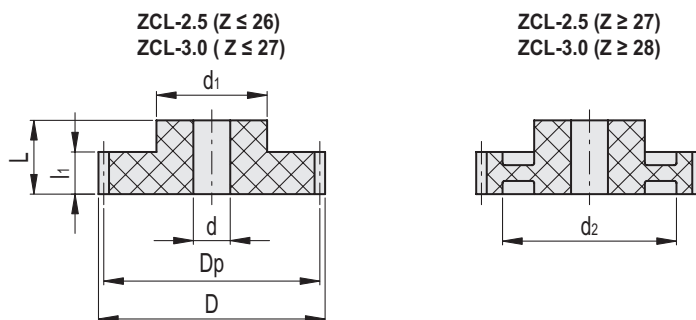
Code	Description	Module M	No. of teeth Z	Dp*	D	L	d	d1	d2	l1	Max. torque [Nm]	Δ
550301	ZCL-1.5-12	1.5	12	18	21	30	5	14	-	17	6.8	7
550305	ZCL-1.5-14	1.5	14	21	24	30	5	16	-	17	8.0	10
550307	ZCL-1.5-15	1.5	15	22.5	25.5	30	5	18	-	17	8.5	13
550309	ZCL-1.5-16	1.5	16	24	27	30	5	18	-	17	9.1	13
550313	ZCL-1.5-18	1.5	18	27	30	30	6	20	-	17	10.3	16
550317	ZCL-1.5-20	1.5	20	30	33	30	8	25	-	17	11.4	23
550319	ZCL-1.5-21	1.5	21	31.5	34.5	30	8	25	-	17	12.0	25
550321	ZCL-1.5-22	1.5	22	33	36	30	8	28	-	17	12.5	25
550325	ZCL-1.5-24	1.5	24	36	39	30	8	28	-	17	13.7	28
550327	ZCL-1.5-25	1.5	25	37.5	40.5	30	8	30	-	17	14.2	34
550329	ZCL-1.5-26	1.5	26	39	42	30	8	30	-	17	14.8	35
550333	ZCL-1.5-28	1.5	28	42	45	30	8	30	-	17	16.0	39
550337	ZCL-1.5-30	1.5	30	45	48	30	12	35	-	17	17.1	45
550341	ZCL-1.5-32	1.5	32	48	51	30	12	35	-	17	18.2	49
550343	ZCL-1.5-33	1.5	33	49.5	52.5	30	12	35	-	17	18.8	55
550345	ZCL-1.5-34	1.5	34	51	54	30	12	35	-	17	19.4	54
550347	ZCL-1.5-35	1.5	35	52.5	55.5	30	12	35	-	17	19.9	61
550349	ZCL-1.5-36	1.5	36	54	57	30	12	35	-	17	20.5	48
550353	ZCL-1.5-38	1.5	38	57	60	30	16	35	42	17	21.7	53
550355	ZCL-1.5-39	1.5	39	58.5	61.5	30	16	35	42	17	22.2	61
550357	ZCL-1.5-40	1.5	40	60	63	30	16	40	48	17	22.8	64
550359	ZCL-1.5-42	1.5	42	63	66	30	16	45	53	17	23.9	72
550363	ZCL-1.5-44	1.5	44	66	69	30	16	45	53	17	25.1	84
550365	ZCL-1.5-45	1.5	45	67.5	70.5	30	16	45	53	17	25.6	85
550367	ZCL-1.5-46	1.5	46	69	72	30	16	45	53	17	26.2	86
550371	ZCL-1.5-48	1.5	48	75	75	30	16	45	53	17	27.4	99
550373	ZCL-1.5-50	1.5	50	75	78	30	16	45	53	17	28.5	111
550375	ZCL-1.5-51	1.5	51	76.5	79.5	30	20	50	63	17	29.1	110
550377	ZCL-1.5-52	1.5	52	78	81	30	20	50	63	17	29.6	113
550381	ZCL-1.5-54	1.5	54	81	84	30	20	50	63	17	30.8	122
550383	ZCL-1.5-55	1.5	55	82.5	85.5	30	20	50	63	17	31.3	126
550385	ZCL-1.5-60	1.5	60	90	93	30	20	55	73	17	34.2	147
550389	ZCL-1.5-65	1.5	65	97.5	100.5	30	20	60	81	17	37.0	175
550391	ZCL-1.5-70	1.5	70	105	108	30	20	60	93	17	39.9	137
550393	ZCL-1.5-75	1.5	75	112.5	115.5	30	20	60	93	17	42.7	155
550395	ZCL-1.5-80	1.5	80	120	123	30	20	60	109	17	45.6	170

* Pitch diameter.



ZCL-2.0

Code	Description	Module M	No. of teeth Z	Dp*	D	L	d	d1	d2	l1	Max. torque [Nm]	
550501	ZCL-2.0-12	2.0	12	24	28	35	8	18	-	20	15.5	15
550503	ZCL-2.0-13	2.0	13	26	30	35	8	18	-	20	16.8	17
550505	ZCL-2.0-14	2.0	14	28	32	35	8	20	-	20	18.1	20
550507	ZCL-2.0-15	2.0	15	30	34	35	8	22	-	20	19.4	23
550509	ZCL-2.0-16	2.0	16	32	36	35	8	25	-	20	20.7	29
550511	ZCL-2.0-17	2.0	17	34	38	35	8	25	-	20	21.9	31
550513	ZCL-2.0-18	2.0	18	36	40	35	10	30	-	20	23.2	34
550515	ZCL-2.0-19	2.0	19	38	42	35	10	30	-	20	24.5	40
550517	ZCL-2.0-20	2.0	20	40	44	35	10	30	-	20	25.8	42
550519	ZCL-2.0-21	2.0	21	42	46	35	10	30	-	20	27.1	46
550521	ZCL-2.0-22	2.0	22	44	48	35	10	30	-	20	28.4	49
550523	ZCL-2.0-23	2.0	23	46	50	35	10	35	-	20	29.7	60
550525	ZCL-2.0-24	2.0	24	48	52	35	10	35	-	20	31.0	56
550527	ZCL-2.0-25	2.0	25	50	54	35	10	35	-	20	32.3	66
550529	ZCL-2.0-26	2.0	26	52	56	35	14	40	-	20	33.6	71
550531	ZCL-2.0-27	2.0	27	54	58	35	14	40	-	20	34.9	71
550533	ZCL-2.0-28	2.0	28	56	60	35	14	40	-	20	36.1	74
550535	ZCL-2.0-29	2.0	29	58	62	35	14	40	-	20	37.4	86
550537	ZCL-2.0-30	2.0	30	60	64	35	14	40	-	20	38.7	83
550539	ZCL-2.0-31	2.0	31	62	66	35	14	40	48	20	40.0	87
550541	ZCL-2.0-32	2.0	32	64	68	35	16	45	51	20	41.3	95
550543	ZCL-2.0-33	2.0	33	66	70	35	16	45	51	20	42.6	98
550545	ZCL-2.0-34	2.0	34	68	72	35	16	45	51	20	43.9	105
550547	ZCL-2.0-35	2.0	35	70	74	35	16	45	51	20	45.2	113
550549	ZCL-2.0-36	2.0	36	72	76	35	16	50	59	20	46.5	115
550551	ZCL-2.0-37	2.0	37	74	78	35	16	50	59	20	47.8	118
550553	ZCL-2.0-38	2.0	38	76	80	35	16	50	59	20	49.1	125
550555	ZCL-2.0-39	2.0	39	78	82	35	16	50	59	20	50.4	127
550557	ZCL-2.0-40	2.0	40	80	84	35	16	55	66	20	51.6	138
550561	ZCL-2.0-42	2.0	42	84	88	35	16	55	66	20	54.2	156
550565	ZCL-2.0-44	2.0	44	88	92	35	16	60	68	20	56.8	175
550567	ZCL-2.0-45	2.0	45	90	94	35	16	60	68	20	58.1	177
550569	ZCL-2.0-46	2.0	46	92	96	35	16	60	75	20	59.4	181
550573	ZCL-2.0-48	2.0	48	96	100	35	16	60	75	20	62.0	193
550577	ZCL-2.0-50	2.0	50	100	104	35	20	60	84	20	64.6	209
550581	ZCL-2.0-52	2.0	52	104	108	35	20	60	90	20	67.1	203
550585	ZCL-2.0-54	2.0	54	108	112	35	20	60	90	20	69.7	211
550591	ZCL-2.0-57	2.0	57	114	118	35	20	60	90	20	73.6	208
550597	ZCL-2.0-60	2.0	60	120	124	35	20	60	101	20	77.5	238
550601	ZCL-2.0-62	2.0	62	124	128	35	20	60	101	20	80.0	257
550605	ZCL-2.0-64	2.0	64	128	132	35	20	60	101	20	82.6	276
550607	ZCL-2.0-65	2.0	65	130	134	35	20	60	101	20	83.9	226
550609	ZCL-2.0-66	2.0	66	132	136	35	20	60	101	20	85.2	295
550613	ZCL-2.0-68	2.0	68	136	140	35	20	60	101	20	87.8	265
550617	ZCL-2.0-70	2.0	70	140	144	35	20	60	117	20	90.4	274
550621	ZCL-2.0-72	2.0	72	144	148	35	20	60	117	20	93.0	324
550625	ZCL-2.0-74	2.0	74	148	152	35	20	60	117	20	95.5	340
550627	ZCL-2.0-75	2.0	75	150	154	35	20	60	117	20	96.8	349
550629	ZCL-2.0-76	2.0	76	152	156	35	20	60	117	20	98.1	376
550633	ZCL-2.0-78	2.0	78	156	160	35	20	60	117	20	100.7	381
550637	ZCL-2.0-80	2.0	80	160	164	35	20	60	117	20	103.3	292
550657	ZCL-2.0-90	2.0	90	180	184	35	20	60	147	20	116.2	451
550677	ZCL-2.0-100	2.0	100	200	204	35	25	60	183	20	129.1	384

**ZCL-2.5**

Code	Description	Module M	No. of teeth Z	Dp*	D	L	d	d1	d2	l1	Max. torque [Nm]	Δ
550701	ZCL-2.5-12	2.5	12	30	35	40	8	22	-	25	30.3	26
550703	ZCL-2.5-14	2.5	14	35	40	40	8	22	-	25	35.3	38
550705	ZCL-2.5-15	2.5	15	37.5	42.5	40	10	30	-	25	37.8	45
550707	ZCL-2.5-16	2.5	16	40	45	40	10	30	-	25	40.3	46
550711	ZCL-2.5-18	2.5	18	45	50	40	10	35	-	25	45.4	61
550715	ZCL-2.5-20	2.5	20	50	55	40	10	35	-	25	50.4	73
550719	ZCL-2.5-22	2.5	22	55	60	40	16	40	-	25	55.5	90
550721	ZCL-2.5-23	2.5	23	57.5	62.5	40	16	40	-	25	58.0	90
550723	ZCL-2.5-24	2.5	24	60	65	40	16	40	-	25	60.5	96
550725	ZCL-2.5-25	2.5	25	62.5	67.5	40	16	40	-	25	63.0	109
550727	ZCL-2.5-26	2.5	26	65	70	40	16	40	-	25	65.6	75
550729	ZCL-2.5-27	2.5	27	67.5	72.5	40	16	40	50	25	68.1	121
550731	ZCL-2.5-28	2.5	28	70	75	40	16	40	50	25	70.6	131
550733	ZCL-2.5-29	2.5	29	72.5	77.5	40	16	45	56	25	73.1	141
550735	ZCL-2.5-30	2.5	30	75	80	40	16	45	56	25	75.6	147
550739	ZCL-2.5-32	2.5	32	80	85	40	16	50	61	25	80.7	171
550745	ZCL-2.5-35	2.5	35	87.5	92.5	40	16	50	61	25	88.3	172
550755	ZCL-2.5-40	2.5	40	100	105	40	18	50	73	25	100.9	233
550761	ZCL-2.5-45	2.5	45	112.5	117.5	40	18	60	85	25	113.5	298
550763	ZCL-2.5-50	2.5	50	125	130	40	20	60	105	25	126.1	299

ZCL-3.0

Code	Description	Module M	No. of teeth Z	Dp*	D	L	d	d1	d2	l1	Max. torque [Nm]	Δ
550801	ZCL-3.0-12	3.0	12	36	42	45	12	25	-	30	52.3	43
550805	ZCL-3.0-14	3.0	14	42	48	45	12	30	-	30	61.0	61
550807	ZCL-3.0-15	3.0	15	45	51	45	12	30	-	30	65.4	70
550809	ZCL-3.0-16	3.0	16	48	54	45	12	35	-	30	69.7	82
550813	ZCL-3.0-18	3.0	18	54	60	45	12	40	-	30	78.4	109
550817	ZCL-3.0-20	3.0	20	60	66	45	12	45	-	30	87.1	135
550821	ZCL-3.0-22	3.0	22	66	72	45	16	45	-	30	95.9	156
550823	ZCL-3.0-23	3.0	23	69	75	45	16	45	-	30	100.2	169
550825	ZCL-3.0-24	3.0	24	72	78	45	16	45	-	30	104.6	180
550827	ZCL-3.0-25	3.0	25	75	81	45	16	45	-	30	108.9	175
550829	ZCL-3.0-26	3.0	26	78	84	45	16	45	-	30	113.3	205
550831	ZCL-3.0-27	3.0	27	81	87	45	16	45	-	30	117.6	224
550833	ZCL-3.0-28	3.0	28	84	90	45	16	50	65	30	122.0	207
550835	ZCL-3.0-29	3.0	29	87	93	45	16	50	65	30	126.4	220
550837	ZCL-3.0-30	3.0	30	90	96	45	16	50	65	30	130.7	236
550841	ZCL-3.0-32	3.0	32	96	102	45	16	50	73	30	139.4	243
550845	ZCL-3.0-35	3.0	35	105	111	45	20	60	80	30	152.5	315
550855	ZCL-3.0-40	3.0	40	120	126	45	20	60	85	30	174.3	322
550865	ZCL-3.0-45	3.0	45	135	141	45	20	60	101	30	196.1	434
550875	ZCL-3.0-50	3.0	50	150	156	45	20	60	127	30	217.9	400

* Pitch diameter.

MATERIAL

Glass-fibre reinforced polyamide-based (PA) technopolymer, grey colour.

STANDARD EXECUTIONS

- **ZCR**: square section racks.
- **ZCR-A**: square section racks with steel core.
- **ZCR-PL**: racks with mounting bracket for mounting on a plane parallel to teeth.
- **ZCR-PD**: racks with mounting bracket for mounting on a plane perpendicular to teeth.
- **ZCR-T**: "T" shape racks.

FEATURES

The loads reported in the tables indicate the maximum load that can be applied on a single tooth.

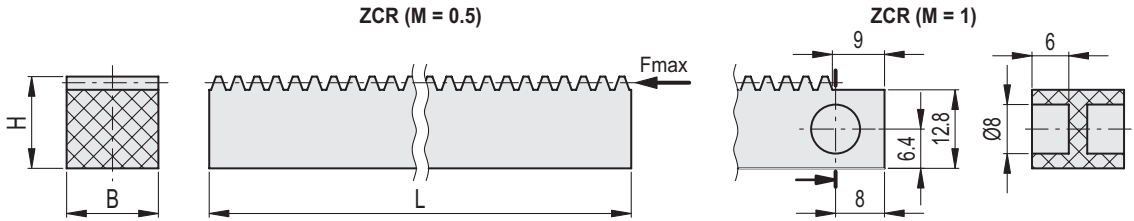
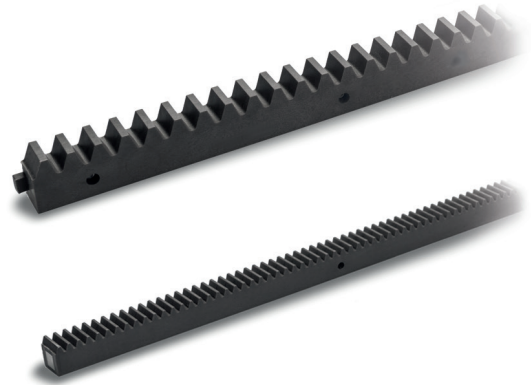
The alignment between two or more racks is granted only for the execution ZCR-A with module 1.0 – 1.5 – 2.0 – 4.0.

TECHNICAL DATA

See: Transmission elements (on page 2).

SPECIAL EXECUTIONS ON REQUEST

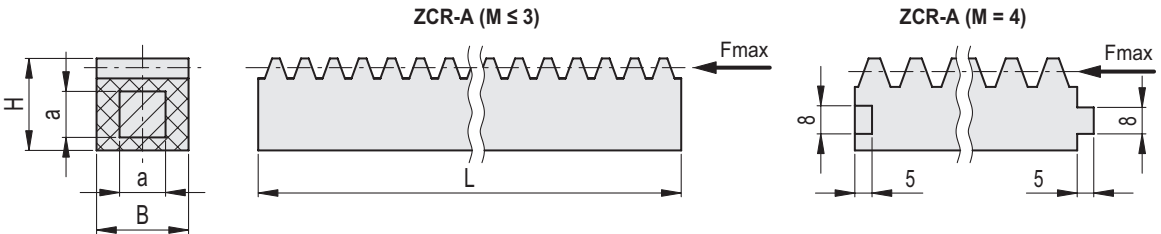
Special lengths on request. On special lengths the meshing is not granted in case of alignment.



ZCR

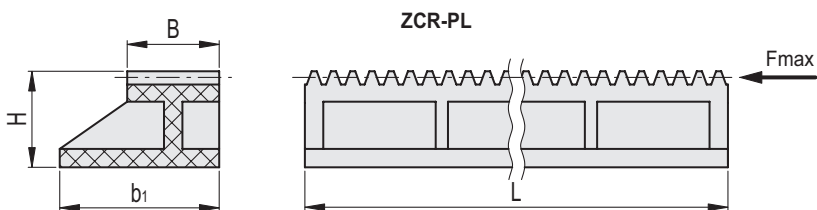
Code	Description	Module M	L	L#	B	H	Fmax [N]	⚖️
552001	ZCR-0.5-250	0.5	251	251	8	8	99	19
552011	ZCR-1.0-150	1.0	166	156	15	15	372	49
552021	ZCR-1.0-250	1.0	265	256	15	15	372	80

Toothling length



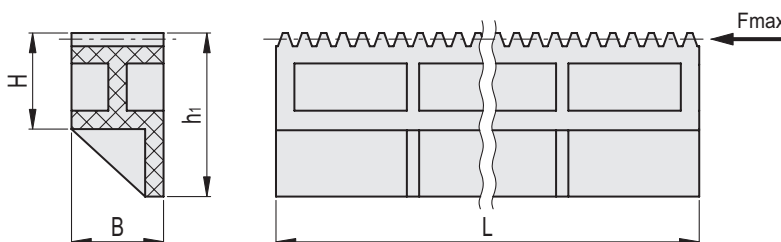
ZCR-A

Code	Description	Module M	L	B	H	a	Fmax [N]	⚖️
552201	ZCR-A-1.0-350	1.0	352	15	15	8 x 8	372	261
552211	ZCR-A-1.5-250	1.5	250	17	17	8 x 8	633	190
552221	ZCR-A-1.5-500	1.5	565	17	17	8 x 8	633	422
552231	ZCR-A-2.0-250	2.0	251	20	20	10 x 10	993	275
552241	ZCR-A-2.0-500	2.0	565	20	20	10 x 10	993	620
552251	ZCR-A-3.0-250	3.0	254	30	30	15 x 15	2234	630
552261	ZCR-A-3.0-500	3.0	500	30	30	15 x 15	2234	1260
552281	ZCR-A-4.0-1000	4.0	1018	20	28	10 x 10	1986	1250



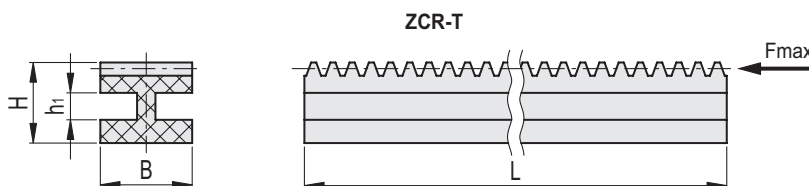
ZCR-PL

Code	Description	Module M	L	B	H	b1	Fmax [N]	⚖️
552101	ZCR-1.0-150-PL	1.0	151	15	15.5	25.5	372	36
552111	ZCR-1.0-250-PL	1.0	248	15	15.5	25.5	372	58



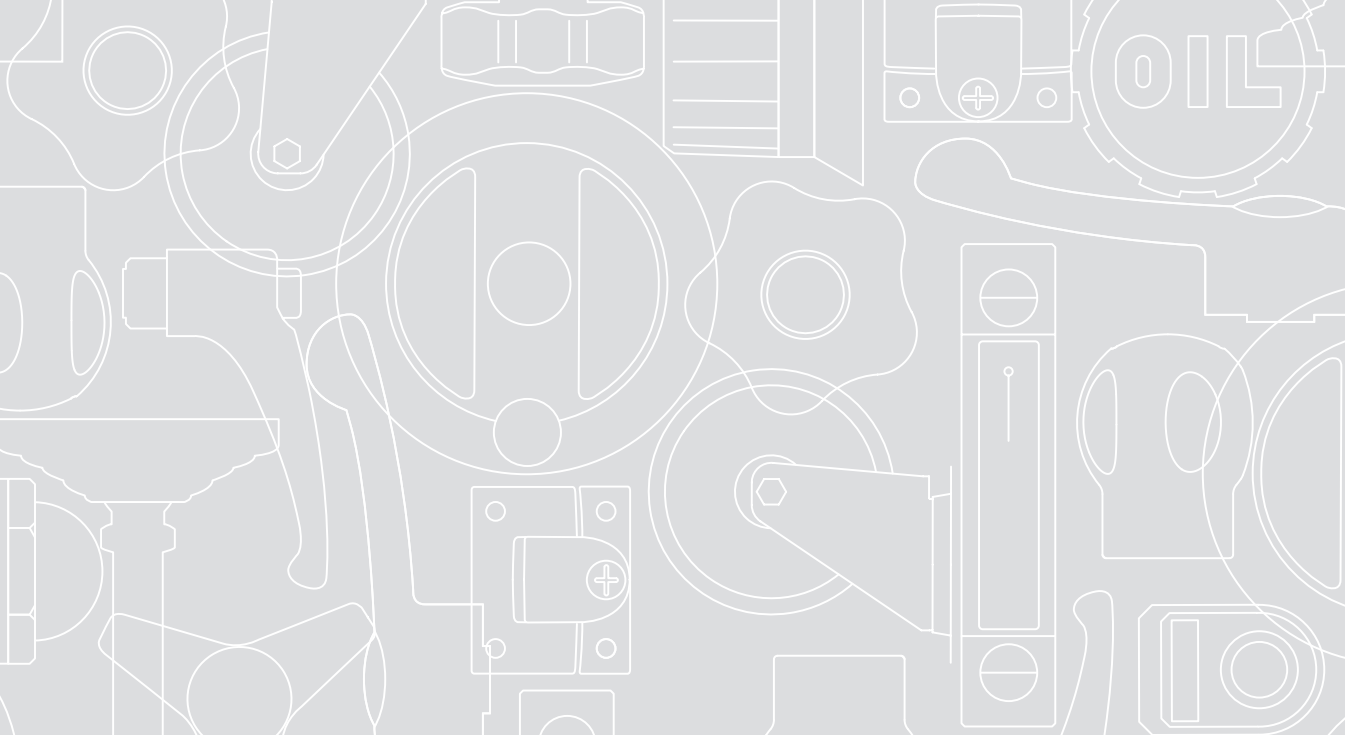
ZCR-PD

Code	Description	Module M	L	B	H	h1	Fmax [N]	⚖️
552121	ZCR-1.0-150-PD	1.0	151	15	15.5	26.5	372	34
552131	ZCR-1.0-250-PD	1.0	248	15	15.5	26.5	372	55



ZCR-T

Code	Description	Module M	L	B	H	h1	Fmax [N]	⚖️
552141	ZCR-1.0-150-T	1.0	151	15	13	4	372	26
552151	ZCR-1.0-250-T	1.0	248	15	13	4	372	42



ELESA. More and more...



Printed in Italy
ZDEPGARELENG18



elesa®

ELESA S.p.A.
Via Pompei, 29
20900 Monza (MB) Italy
phone +39 039 2811.1
fax +39 039 836351
info@elesa.com

elesa.com

© Copyright ELESA 2018