

# Relative Humidity Sensors

Pronem  
mini / midi / led-midi



## Technical Specifications

Measuring range (RH)	: %0...100
Measuring range (T) (°C)	: -20°C...+80°C
Measuring range (T) (°F)	: -4°F...+176°F (for Pronem Midi LCD type)
Accuracy (RH)	: ±2 %RH (Typ)@23°C %0...100
Accuracy (T)	: ±0,3°C (Typ)@23°C
Stability (RH)	: <0,5 %RH/year (Typ)
Stability (T)	: <0,04°C/year (Typ)
Analogue Out. Sign. Accuracy (Voltage)	: ±%0,1
Analogue Out. Sign. Accuracy (Current)	: ±%0,5

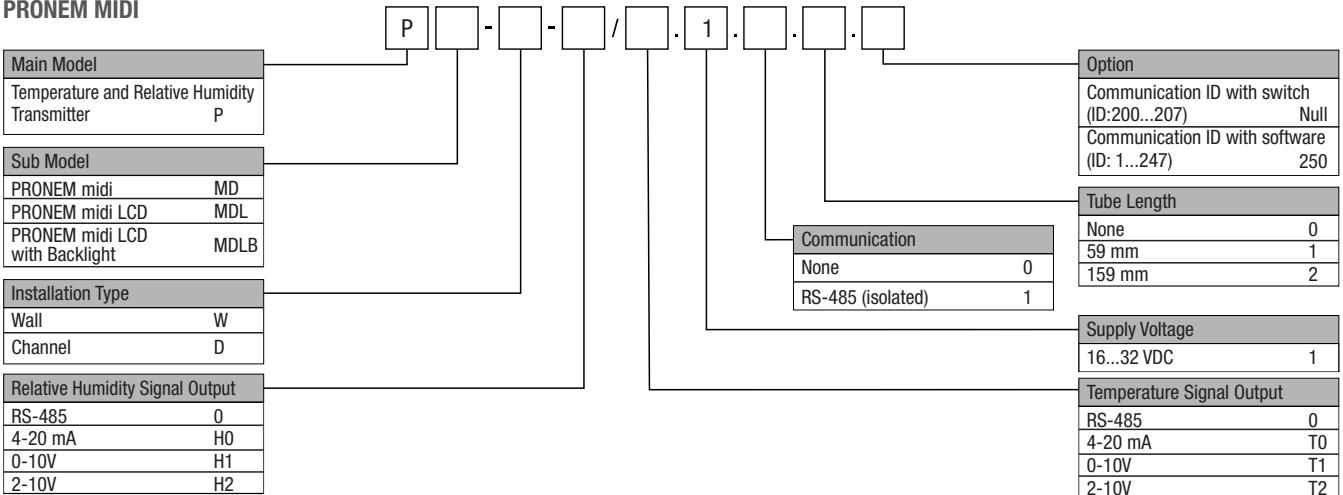
## Working Conditions

Operating Temperature	: -40°C...+85°C
Height	: Up to 2000 m.

## Standard Features

- 2 analogue outputs for temperature and humidity
- High output accuracy
- Small and useful design
- Long-term stability
- Low thermal drift
- Current or voltage output signal selection for temperature and humidity analogue output type

## PRONEM MIDI



## PRONEM MINI

