

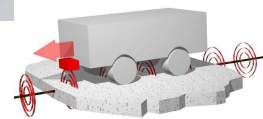
Functional Description

The interpreter allows the connection of two guidance antennas. The interpreter has two identical channels with an independent filter frequency setting. Data output is carried out via CAN-Bus resp. Profibus, this depends on the **variant (see table below)**.

Type	Interface
HG 73350ZA	CAN-Bus / CANopen®
HG 73351ZA	Profibus

The interpreter is a component of guide wire track guidance systems for Automated Guided Vehicles. The interpreter detects the deviation from the guide wires laid in the ground by means of the antennas mentioned below and transmits it to the vehicle controller. Based on the transmitted values the steering information can be calculated.

The connected antennas are monitored for correct operation as well as for wire breakage. The interpreter is only intended for the



use in track guidance systems with a **maximum speed of 1 m/s without any passenger transportation.**

Parameter setting is processed via a serial interface using a standard terminal program (e.g. Hyperterm) or via the various Service Data Objects (SDOs) of the CANopen® protocol.

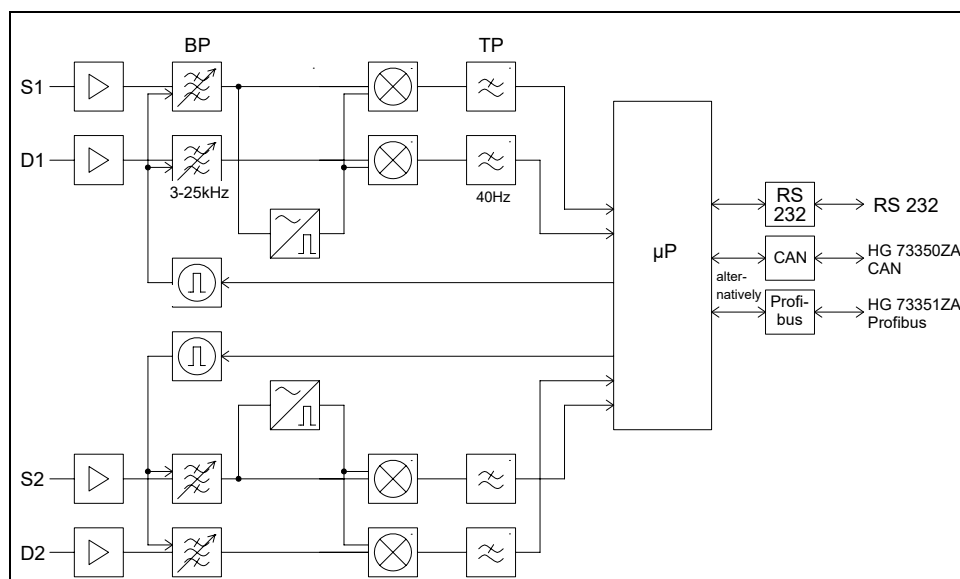
System Components

The interpreter can be operated with the following guidance antennas:

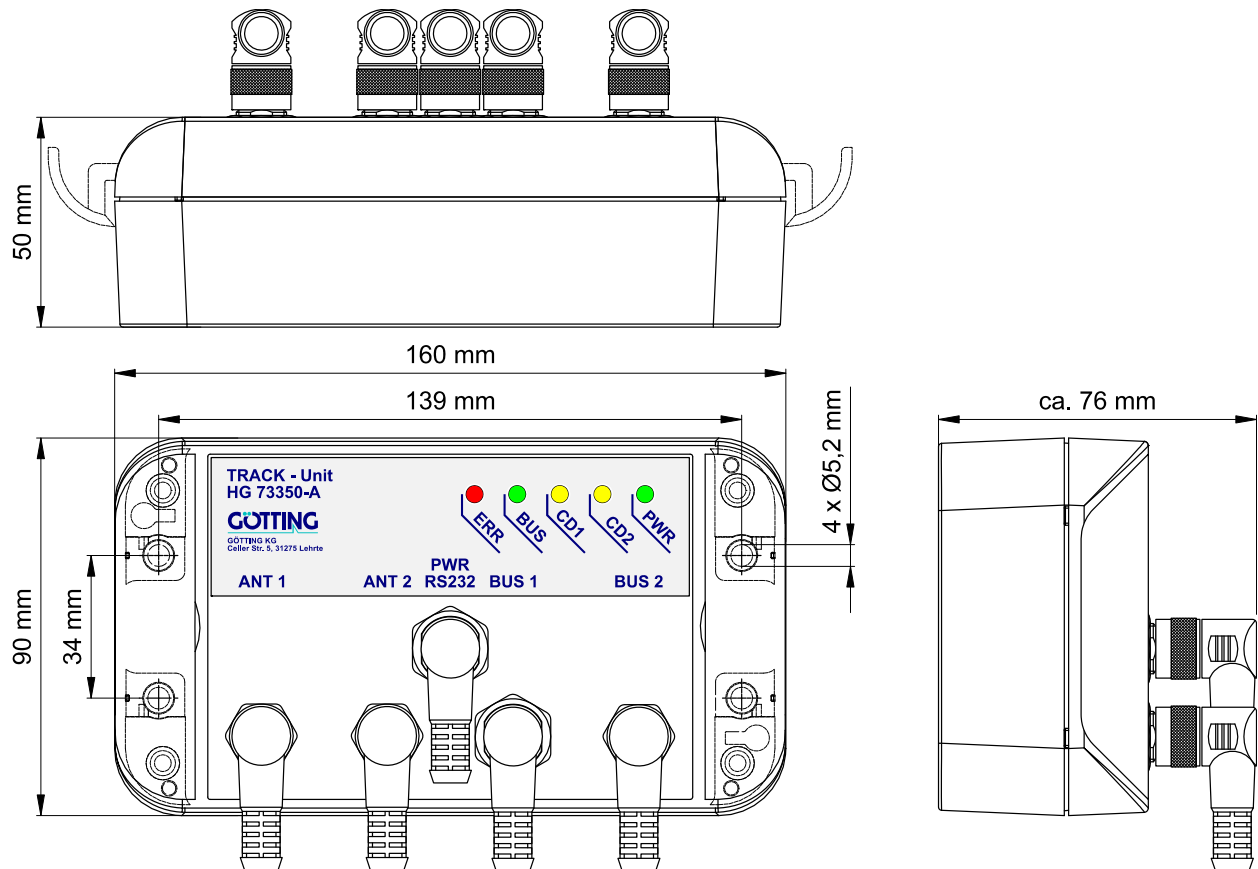
- HG 19200
- HG 19210
- HG 19535

For technical information regarding the guidance antennas and the interpreter in PDF format please contact our website <http://www.goetting-agv.com/components/inductive/>.

Block Diagram



Casing Dimensions



The variants HG 73350ZA and HG 73351ZA have identical casing dimensions.

Technical Data

- Installation Size	160 mm x 90 mm x 50 mm
- Weight	400 g
- Protection Class	IP 64
- Relative Humidity up to 25° C	95 % (without condensation)
- Operation Temperature	0° C to +50° C
- Storage Temperature	-20° C to +70° C
- Operation Voltage	+24 V ±25%, current consumption 100 mA
- Input Sensitivity	1 Vss for 75 % full conduction at nominal frequency
- Max. Input Voltage	5 Vss (Sum of all Frequencies)
- Connectors	- M12 mounting plugs / jacks, A coded - HG 73351 Profibus: Bus 1 and Bus 2 are B-coded
- Output	not electrically insulated, terminal resistance not integrated - HG 73350 / CAN-Bus, CANopen® Device profile DS 401, Node-ID and transmission rate configurable via serial interface resp. CAN SDOs. - HG 73351 / Profibus: DP-V0 according to IEC61158/EN50170, Node-ID configurable via serial interface.
- Update Rate	10 ms
- Frequency Range	3 to 25 kHz, X is compensated from 1 to 28 kHz
- Frequency change-over	approx. 40 ms
- Bandpass Filter Quality	≥ 20