

# Flow sensor type 236 for liquid media

Flow range

0.9 ... 240 l/min

Nominal diameters

DN 8 / 10 / 15 / 20 / 25 / 32

Temperature measurement

-40 ... +125 °C



The type 236 is based on the type 210 but incorporates a brass housing. The Vortex Sensor type 236 has a rugged construction of brass connection. This flow sensor is available with a larger variety concerning power supply and outputs.

You can choose between various versions as integrated temperature measurement. With no moving parts the flow sensor is not sensitive to debris, has marginal pressure loss and high accuracy.

- Flow measuring with voltage, current, pulse or frequency output
- Temperature non-sensitive measuring principle
- Excellent media resistance (measuring element not in contact with the media)
- Wide application temperature range
- Marginal loss of pressure
- Measuring element not sensitive to debris
- Direct temperature measurement in the medium
- Drinking water approval WRAS, ACS

## Technical Overview

### Flow measurement

Measuring principle	Vortex		Piezoelectric sensor element
Measuring range			0.9 ... 240 l/min
Nominal diameters			DN 8 / 10 / 15 / 20 / 25 / 32
Accuracy at < 50% fs (water)			< 1% fs
Accuracy at > 50% fs (water)			< 2% measuring value
Response time	Immediately. Therefore suitable for spigot use.	Frequency output (unfiltered)	Signal delay < 100 ms
			Response time < 5 ms
	Frequency output (unfiltered) Analogue output		Signal delay < 2 s
			Response time < 500 ms

### Operating conditions

Medium	Suitable for heating circuit water with the usual additives Drinking water	other medium on request
Temperature	Media	< +125 °C
	Ambient	-15 ... +85 °C
	Ambient (2x 4 ... 20 mA)	-15 ... +65 °C
	Storage	-30 ... +85 °C
	(for lifetime)	12 bar at +40 °C
Max. pressure and medium temperature	(for lifetime)	6 bar at +100 °C
	(for 600 hours)	4 bar at +125 °C
	(for 2 hours)	4 bar at +140 °C
	(max. test pressure)	18 bar at +40 °C
Cavitation	The following equation is valid to prevent cavitation: $P_{abs.outlet} / P_{difference} > 5.5$	

### Materials in contact with medium (FDA-conform)

Sensor paddle	ETFE
Case	Red brass / PA6T/6I (40% GF)
Sealing material	EPDM (perox.) (for drinking water)
	FPM

### Electrical connection

Connector M12x1	Protection standard
	IP 65

### Weight

	with thread K	with thread M	with thread G
DN 8 with condensation protection	~ 160 g	-	~ 206 g
DN 10 with condensation protection	~ 200 g	~ 241 g	~ 307 g
DN 15 with condensation protection	~ 250 g	-	~ 310 g
DN 20 with condensation protection	~ 378 g	-	~ 490 g
DN 25 with condensation protection	~ 303 g	-	~ 707 g
DN 32 with condensation protection	-	-	~ 696 g

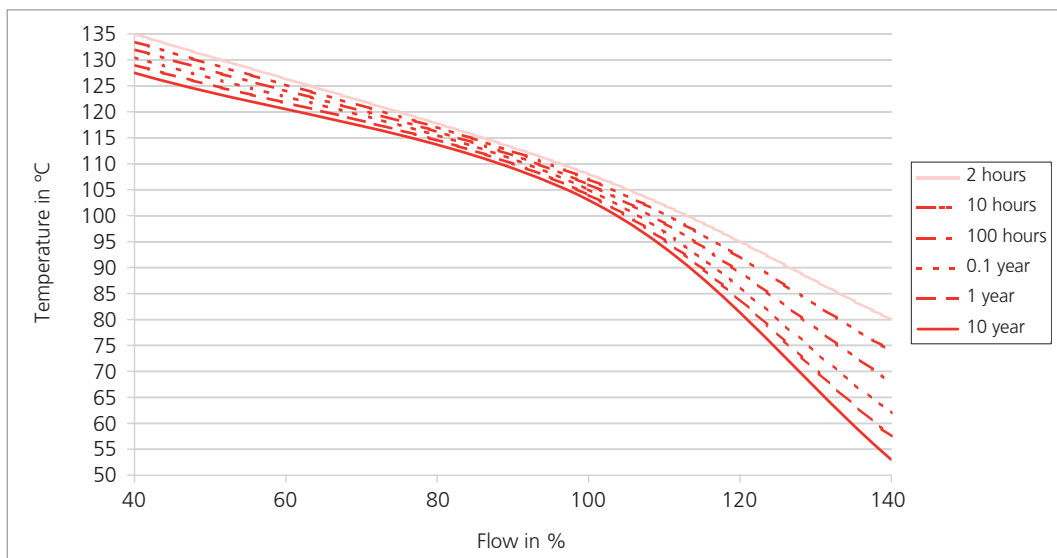
### Test / Admissions

Electromagnetic compatibility	CE conformity acc. to EN 61326-2-3
Drinking water approval	WRAS, ACS
	Plastic parts with KTW and W270 approval

### Packaging

Single packaging	
Multiple packaging	

## Minimum life span on high flow rate and high temperature



## Analogue output - Electrical overview

### Temperature measurement

Measuring principle	Resistance			PT1000
	Measuring range			-40 ... +125 °C
PT1000	Accuracy	class B DIN EN 60751	@ T = 0 °C @ T ≠ 0 °C	± 0.3 K ± 0.3 K ± 0.005 * ΔT
	Measuring range			-25 ... +125 °C
0 ... 10 V	Accuracy			± 0.5 K ± 0.005 * ΔT
	Calculation temperature			T (°C) = $\frac{+150 \text{ °C}}{10 \text{ V}} * U_{\text{OUT,T}} - 25 \text{ °C}$
	Measuring range			-25 ... +125 °C
4 ... 20 mA	Accuracy			± 0.5 K ± 0.005 * ΔT
	Calculation temperature			T (°C) = $\frac{I_{\text{OUT,T}} - 4 \text{ mA}}{16 \text{ mA}} * 150 \text{ °C} - 25 \text{ °C}$

Electronic	Voltage output	Current output	Dual power output
Power supply	11.5 ... 33 VDC	8 ... 33 VDC	10 ... 33 VDC
Output flow (Q)	analogue signal	4 ... 20 mA	4 ... 20 mA
Output temperature (T)	signal	-	4 ... 20 mA
Load against GND or IN	< 6 mA / < 100 nF <sup>1)</sup>	< (U <sub>IN</sub> - 8 V) / 20 mA	< (U <sub>IN</sub> - 10 V) / 20 mA
Current consumption load free (I <sub>IN</sub> )	< 5 mA	-	-
Electrical reliability	Short circuit, reverse voltage and external voltage protected within the admissible supply voltage.		

## Analogue output - Nominal diameters dependent variables

DN	Measuring range [l/min]	Flow range [m/s]	Pressure drop <sup>2),3)</sup>	K <sub>V</sub> $\left[ \frac{\text{L}}{\text{V} * \text{min}} \right]$	K <sub>I</sub> $\left[ \frac{\text{L}}{\text{mA} * \text{min}} \right]$
8	0.9 ... 15	0.133 ... 2.210	85.00 * Q <sup>2</sup>	1.5	0.938
10	1.8 ... 32	0.265 ... 4.716	22.50 * Q <sup>2</sup>	3.2	2.000
10	2.0 ... 40	0.295 ... 5.895	22.50 * Q <sup>2</sup>	4.0	2.500
15	3.5 ... 50	0.290 ... 4.145	6.70 * Q <sup>2</sup>	5.0	3.125
20	5.0 ... 85	0.265 ... 4.509	2.50 * Q <sup>2</sup>	8.5	5.313
25	9.0 ... 150	0.283 ... 4.709	0.92 * Q <sup>2</sup>	15.0	9.375
32	14 ... 240	0.290 ... 4.974	0.25 * Q <sup>2</sup>	24.0	15.000

Characteristic line formula current output  
 $Q_V = K_I * (I_{\text{OUT}} - 4 \text{ mA})$

Characteristic line formula voltage output  
 $Q_V = K_V * U_{\text{OUT}}$

### Legend

Q <sub>V</sub>	Volume flow rate	[l/min]
K <sub>V</sub>	Coefficient voltage output	[(l/min) / V]
K <sub>I</sub>	Coefficient current output	[(l/min) / mA]
U <sub>OUT</sub>	Voltage	[V]
I <sub>OUT</sub>	Current	[mA]

## Analogue output - Order code selection table

			1	2	3	4	5	6	7
			236. X X X X X X X						
Version	Flow		9			3,4	4		
	Flow and temperature (PT1000)		8			3,4	5		
	Flow and temperature (2x 0 ... 10 V)		6			3	5		
	Flow and temperature (2x 4 ... 20 mA)		5			5	5		
Nominal diameters and flow range	DN 8	0.9 ... 15 l/min.		0	8				K,G
	DN 10	1.8 ... 32 l/min.		1	0				
	DN 10	2.0 ... 40 l/min.		1	1				
	DN 15	3.5 ... 50 l/min.		1	5				K,G
	DN 20	5.0 ... 85 l/min.		2	0				K,G
	DN 25	9.0 ... 150 l/min.		2	5				K,G
	DN 32	14.0 ... 240 l/min.		3	2				K
Output / power supply	Analogue output 0 ... 10 V	11.5 ... 33 VDC	9,8,6			3			
	Analogue output 4 ... 20 mA	8 ... 33 VDC	9,8			4			
	Analogue output 4 ... 20 mA	10 ... 33 VDC	5			5			
Electrical connection	Connector M12x1	3-pole (with condensation protection)	9			3,4	4		
		5-pole (with condensation protection)	8,6,5				5		
Sealing material	EPDM	Ethylene propylene rubber (peroxidically cross-linked)							1
	FPM <sup>4)</sup>	Fluoro elastomer							2
Tube connection	Brass with outside thread	K (DN 8, 10 - G ¾; DN 15 - G ¾; DN 20 - G 1; DN 25 - G 1 ¼; DN 32 - G 1 ½)							K
		M (DN 10 - G ¾)							M
		G (DN 8 - G ¾; DN 10 - G 1; DN 15 - G 1; DN 20 - G 1 ¼; DN 25 - G 1 ½)							

<sup>1)</sup> against GND only

<sup>2)</sup> incl. 3 xDi inlet and outlet side

<sup>3)</sup> Pv in Pa; Q in l/min

<sup>4)</sup> No drinking water approval

## Frequency output (filtered) and pulse output - Electrical overview

### Temperature measurement

Measuring principle	Resistance	PT1000 class B DIN EN 60751		
	Measuring range	-40 ... +125 °C		
PT1000	Accuracy	Class B DIN EN 60751	@ T = 0 °C	± 0.3 K
			@ T ≠ 0 °C	± 0.3 K ± 0.005 * ΔT
Temperature influences		Self-heating at temperature sensor		1 K/mW
		Conduction resistance to connector		0.8 Ω

### Electronic

Power Supply	4.75 ... 33 VDC		
Output flow (Q)	Level height (open collector)	< 0.5 ... > U <sub>N</sub> - 0.5 V	
Output temperature (T)	Resistant signal	PT1000 class B DIN EN 60751	
Load against GND or IN	> 1 kΩ / < 10 kΩ		
Current consumption load free (I <sub>in</sub> )	< 3 mA		
Electrical reliability	Short circuit, reverse voltage and external voltage protected within the admissible supply voltage.		

## Frequency output (filtered) and pulse output - Nominal diameters dependent variables

DN	Measuring range [l/min]	Flow range [m/s]	Pressure drop <sup>1),2)</sup>	K <sub>ff</sub> [(l/min) / Hz] at 0 ... 1000 Hz	Quantity per pulse K <sub>i</sub> [ml] (pulse)	Pulse (pulse output) [1/l]
8	0.9 ... 15	0.133 ... 2.210	85.00 * Q <sup>2</sup>	0.015	0.20	5000
10	1.8 ... 32	0.265 ... 4.716	22.50 * Q <sup>2</sup>	0.032	0.50	2000
10	2.0 ... 40	0.295 ... 5.895	22.50 * Q <sup>2</sup>	0.04	0.50	2000
15	3.5 ... 50	0.290 ... 4.145	6.70 * Q <sup>2</sup>	0.05	1.00	1000
20	5.0 ... 85	0.265 ... 4.509	2.50 * Q <sup>2</sup>	0.085	1.00	1000
25	9.0 ... 150	0.283 ... 4.709	0.92 * Q <sup>2</sup>	0.15	1.25	800
32	14 ... 240	0.290 ... 4.974	0.25 * Q <sup>2</sup>	0.24	2.00	500

Characteristic line formula frequency output filtered (0 ... 1000 Hz, other frequency on request)

$$Q_v = K_{ff} * f$$

### Pulse

$$l/min = \frac{pulse}{s} * K_i * \frac{60}{1000}$$

### Legend

Q <sub>v</sub>	Volume flow rate	[l/min]
K <sub>ff</sub>	Coefficient frequency output filtered	[(l/min) / f]
f	Frequency	[Hz]

## Frequency output (filtered) and pulse output - Order code selection table

236. X X X X X X X

			1	2	3	4	5	6	7
Version	Flow		9				4		
	Flow and temperature (PT1000)		8				5		
Nominal diameters and flow range	DN 8	0.9 ... 15 l/min.		0	8				K,G
	DN 10	1.8 ... 32 l/min.		1	0				
	DN 10	2.0 ... 40 l/min.		1	1				
	DN 15	3.5 ... 50 l/min.		1	5				K,G
	DN 20	5.0 ... 85 l/min.		2	0				K,G
	DN 25	9.0 ... 150 l/min.		2	5				K,G
	DN 32	14.0 ... 240 l/min.		3	2				K
Output / power supply	Frequency output (filtered)	4.75 ... 33 VDC					6		
	Pulse output	4.75 ... 33 VDC					7		
Electrical connection	Connector M12x1	3-pole (with condensation protection)	9				4		
		5-pole (with condensation protection)	8				5		
Sealing material	EPDM	Ethylene propylene rubber (peroxidically cross-linked)						1	
	FPM <sup>3)</sup>	Fluoro elastomer						2	
Tube connection	Brass with outside thread	K (DN 8, 10 - G ½; DN 15 - G ¾; DN 20 - G 1; DN 25 - G 1 ¼; DN 32 - G 1 ½)							K
		M (DN 10 - G ¾)							M
		G (DN 8 - G ¾; DN 10 - G 1; DN 15 - G 1; DN 20 - G 1 ¼; DN 25 - G 1 ½)							G

<sup>1)</sup> incl. 3x Di inlet and outlet side

<sup>2)</sup> Pv in Pa; Q in l/min

<sup>3)</sup> No drinking water approval

## Frequency output (unfiltered) - Electrical overview

### Temperature measurement

Measuring principle	Resistance	PT1000 class B DIN EN 60751		
	Measuring range	-40 ... +125 °C		
PT1000	Accuracy	Class B DIN EN 60751	@ T = 0 °C @ T ≠ 0 °C	± 0.3 K ± 0.3 K ± 0.005 * ΔT
Temperature influences	Self-heating at temperature sensor	1 K/mW		
	Conduction resistance to connector	0.8 Ω		

### Electronic

Power Supply	4.75 ... 33 VDC		
Output flow (Q)	Level height (push-pull)	< 0.5 ... > U <sub>IN</sub> - 0.5 V	
Output temperature (T)	Resistant signal	PT1000 class B DIN EN 60751	
Load against GND or IN	< 1 mA / < 100 nF		
Current consumption load free (I <sub>IN</sub> )	< 2 mA		
Electrical reliability	Short circuit, reverse voltage and external voltage protected within the admissible supply voltage.		

## Frequency output (unfiltered) - Nominal diameters dependent variables

DN	Tube connection	Measuring range [l/min]	Flow range [m/s]	Pressure drop <sup>1),2)</sup>	Quantity per pulse @50% fs [ml]	Frequency range unfiltered [Hz]	Q <sub>0</sub> [l/min]	K <sub>f</sub> [(l/min) / f]
8	K,G	0.9 ... 15	0.133 ... 2.210	85.00 * Q <sup>2</sup>	0.578	20 ... 416	-0.2	0.0356
10	K	1.8 ... 32	0.265 ... 4.716	22.50 * Q <sup>2</sup>	1.416	23 ... 374	-0.2	0.0860
	G,M				1.386	24 ... 380		0.0847
10	K	2.0 ... 40	0.295 ... 5.895	22.50 * Q <sup>2</sup>	1.419	26 ... 467	-0.2	0.0860
	G,M				1.386	26 ... 479		0.0840
15	K	3.5 ... 50	0.290 ... 4.145	6.70 * Q <sup>2</sup>	3.036	20 ... 273	-0.2	0.1836
	G				2.993	20 ... 277		0.1810
20	K	5.0 ... 85	0.265 ... 4.509	2.50 * Q <sup>2</sup>	6.173	14 ... 229	-0.2	0.3730
	G				6.140	14 ... 230		0.3710
25	K	9.0 ... 150	0.283 ... 4.709	0.92 * Q <sup>2</sup>	12.201	13 ... 205	-0.2	0.7340
	G				12.134	13 ... 206		0.7300
32	K	14 ... 240	0.290 ... 4.974	0.25 * Q <sup>2</sup>	27.513	9 ... 145	-1.47	1.6710

### Characteristic line formula frequency output unfiltered

$$Q_V = K_f * f + Q_0$$

### Formula quantity per pulse [litres/pulse]

$$\text{Quantity per Pulse} = \frac{K_f * Q_V}{60 * (Q_V - Q_0)}$$

### Legend

Q <sub>V</sub>	Volume flow rate	[l/min]
Q <sub>0</sub>	Axis intercept	[l/min]
K <sub>f</sub>	Coefficient frequency output	[(l/min) / f]
f	Frequency	[Hz]
Quantity per Pulse	Quantity per pulse	litres pulse

## Frequency output (unfiltered) - Order code selection table

236. X X X X X X X

		1	2	3	4	5	6	7	
Version	Flow	9				4			
	Flow and temperature (PT1000)	8				5			
	Nominal diameters and flow range	DN 8 0.9 ... 15 l/min.		0	8				K,G
		DN 10 1.8 ... 32 l/min.		1	0				
		DN 10 2.0 ... 40 l/min.		1	1				
		DN 15 3.5 ... 50 l/min.		1	5				K,G
		DN 20 5.0 ... 85 l/min.		2	0				K,G
		DN 25 9.0 ... 150 l/min.		2	5				K,G
DN 32 14.0 ... 240 l/min.		3	2				K		
Output / power supply	Frequency output (unfiltered)	4.75 ... 33 VDC				2			
Electrical connection	Connector M12x1	2- or 3-pole	(condensation protection)		9		4		
		4- or 5-pole	(condensation protection)		8,6		5		
Sealing material	EPDM	Ethylene propylene rubber (peroxidically cross-linked)						1	
	FPM <sup>3)</sup>	Fluoro elastomer						2	
Tube connection	Brass with outside thread	K (DN 8, 10 - G ½; DN 15 - G ¾; DN 20 - G 1; DN 25 - G 1 ¼; DN 32 - G 1 ½)						K	
		M (DN 10 - G ¾)						M	
		G (DN 8 - G ¾; DN 10 - G 1; DN 15 - G 1; DN 20 - G 1 ¼; DN 25 - G 1 ½)						G	

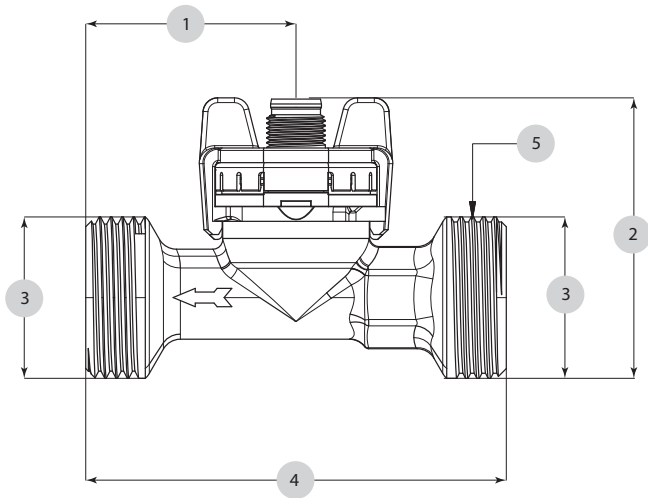
<sup>1)</sup> incl. 3x Di inlet and outlet side

<sup>2)</sup> Pv in Pa; Q in l/min

<sup>3)</sup> No drinking water approval

Straight-wire box for connector M12x1 with cable	3-pole	200 cm		114605
Corner-wire box for connector M12x1 with cable	3-pole	200 cm		114604
Straight-wire box for connector M12x1 with cable	5-pole	200 cm	(with temperature)	114564
Corner-wire box for connector M12x1 with cable	5-pole	200 cm	(with temperature)	114563
Straight-wire box for connector M12x1 screwing terminal	5-pole			115024

Dimension diagram

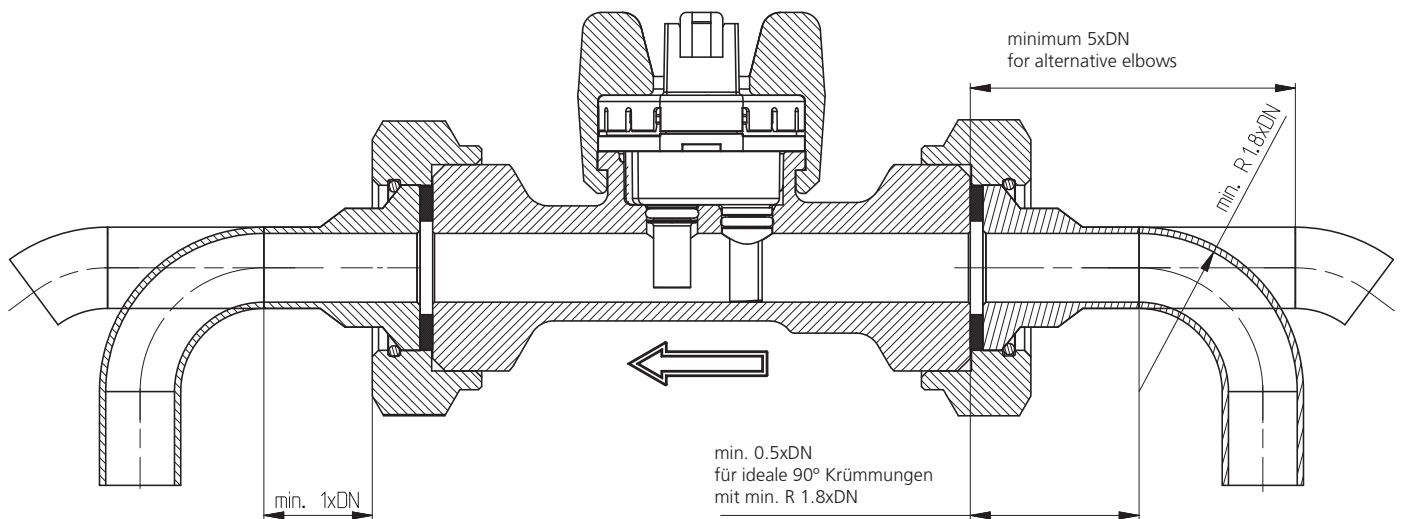


	1	2	3	4	5
DN 8 K	33.3	52.9	G ½	77	↻ 15
DN 8 G	33.3	55.7	G ¾	77	↻ 15
DN10 K	43	51.1	G ½	86	↻ 19
DN 10 M	43	54.1	G ¾	86	↻ 19
DN 10 G	43	57.3	G 1	86	↻ 19
DN 15 K	41	55.9	G ¾	87	↻ 22
DN 15 G	41	59.3	G 1	87	↻ 22
DN 20 K	40.6	61.6	G 1	105	↻ 27
DN 20 G	40.6	65.6	G 1 ¼	105	↻ 27
DN 25 K	50	68.1	G 1 ¼	120	↻ 34
DN 25 G	50	71.1	G 1 ½	120	↻ 34
DN 32 K	50	74.9	G 1 ½	134	↻ 41

Tube mounting instructions

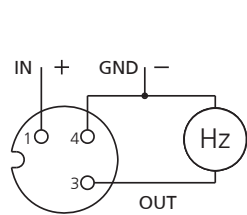
Consider the following to ensure the correct function of the sensor.

- Only diameter changes from large to small are allowed.
- Avoid repeated elbows in the same level at entryside

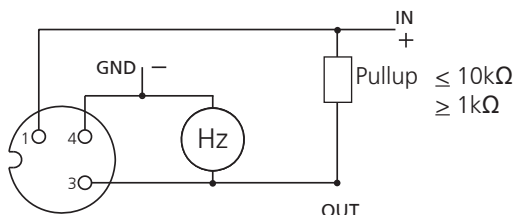


Connector M12x1 without temperature measurement

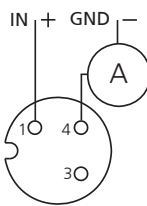
1



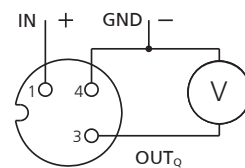
Frequency output unfiltered



Frequency output filtered  
Pulse output



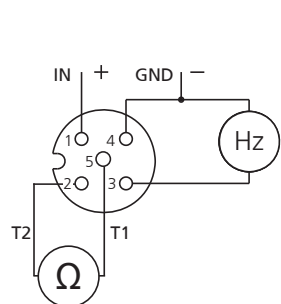
Current output



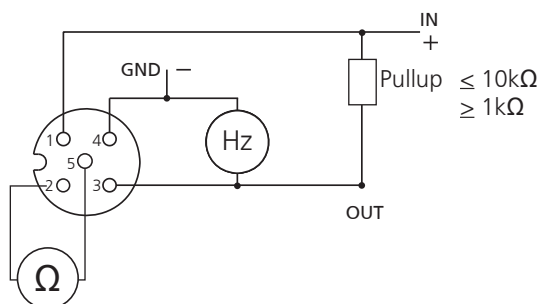
Voltage output

Connector M12x1 with temperature measurement

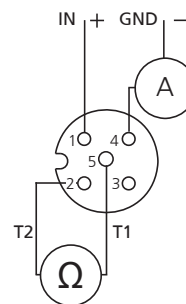
2



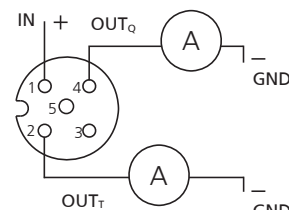
frequency output with temperature measurement  
PT1000



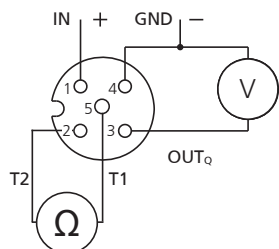
Frequency output filtered  
Pulse output



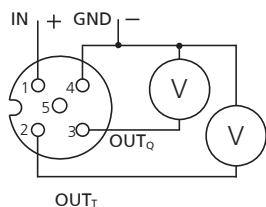
Current output with temperature measurement  
PT1000



Current output with temperature measurement  
4 ... 20 mA



Voltage output with temperature measurement  
PT1000

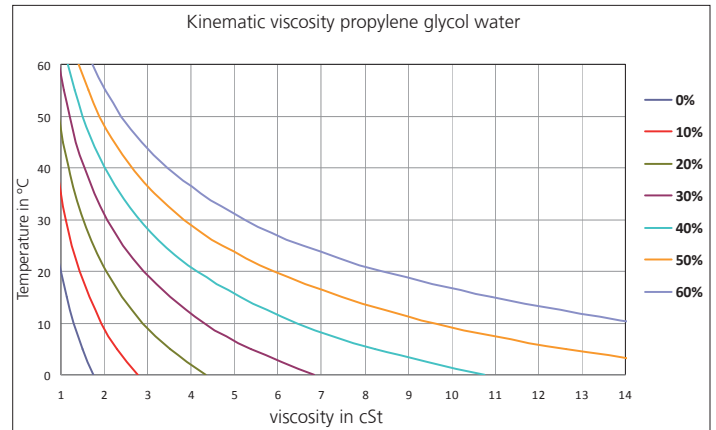
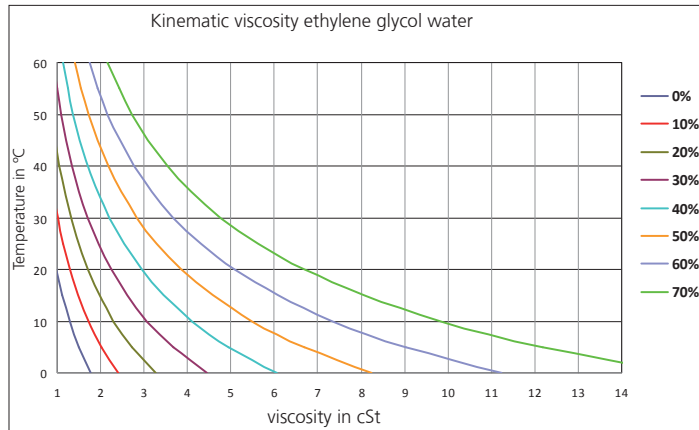


Voltage output with temperature measurement  
0 ... 10 V

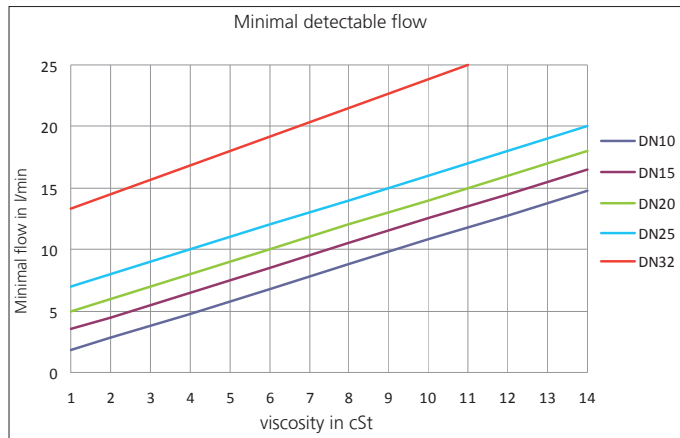
Pin	Colour
1	brown
3	blue
4	black
<b>1</b>	
1	brown
2	white
3	blue
4	black
5	gray
<b>2</b>	

With the following definitions we are able to correct the influence of media with higher viscosity than water (= media viscosity > 1.8 cSt) in order to reach a measuring accuracy of 3% fs in the range of 1.8 - 4 cSt and of 4% in the range of 4 - 14 cSt ( $\nu$  = viscosity in cSt).

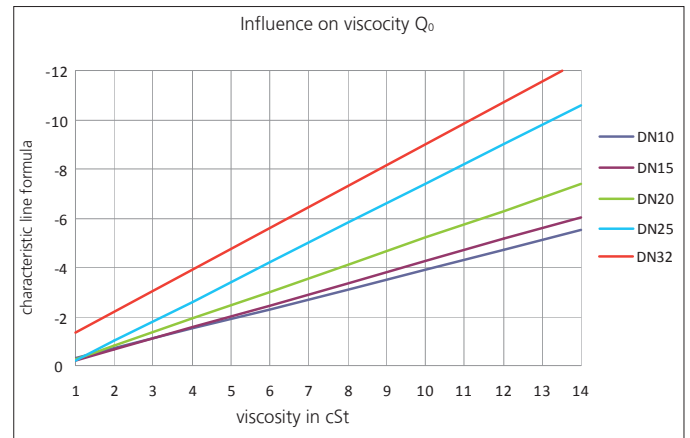
## Definition of viscosity of glycol-water-compound



## Definition of respond threshold $Q_{min}$



## Definition of characteristic line formula $Q_v = k_f * f + Q_0$



### Formula respond threshold $Q_{min}$ in l/min < DN 10 not possible

- DN10:  $Q_{min} = \nu + 0.8$
- DN15:  $Q_{min} = \nu + 2.5$
- DN20:  $Q_{min} = \nu + 4.0$
- DN25:  $Q_{min} = \nu + 8.0$
- DN32:  $Q_{min} = \nu + 13.0$

### Formula characteristic line for $Q \geq Q_{min}$ in l/min < DN 10 not possible

- Frequency output (unfiltered):
- DN10:  $Q = K_f * f - 0.40\nu + 0.20$
  - DN15:  $Q = K_f * f - 0.45\nu + 0.25$
  - DN20:  $Q = K_f * f - 0.55\nu + 0.25$
  - DN25:  $Q = K_f * f - 0.80\nu + 0.60$
  - DN32:  $Q = K_f * f - 0.85\nu + 0.55$

- Frequency output (filtered):
- DN10:  $Q = 0.032 * f - 0.40\nu + 0.40$
  - DN15:  $Q = 0.050 * f - 0.45\nu + 0.45$
  - DN20:  $Q = 0.080 * f - 0.55\nu + 0.55$
  - DN25:  $Q = 0.150 * f - 0.80\nu + 0.80$
  - DN32:  $Q = 0.240 * f - 0.85\nu + 0.55$

- Impulse output:
- DN10:  $Q = 0.030 * \#Pulse/s - 0.40\nu + 0.40$
  - DN15:  $Q = 0.060 * \#Pulse/s - 0.45\nu + 0.45$
  - DN20:  $Q = 0.060 * \#Pulse/s - 0.55\nu + 0.55$
  - DN25:  $Q = 0.075 * \#Pulse/s - 0.80\nu + 0.80$
  - DN32:  $Q = 0.120 * \#Pulse/s - 0.85\nu + 0.55$

- Voltage output 0 ... 10 V:
- DN10:  $Q = 3.2 * U_{Out} - 0.40\nu + 0.40$
  - DN15:  $Q = 5.0 * U_{Out} - 0.45\nu + 0.45$
  - DN20:  $Q = 8.5 * U_{Out} - 0.55\nu + 0.55$
  - DN25:  $Q = 15.0 * U_{Out} - 0.80\nu + 0.80$
  - DN32:  $Q = 24.0 * U_{Out} - 0.80\nu + 0.80$

- Current output 4 ... 20 mA (I in mA):
- DN10:  $Q = 2.000 * (I - 4 \text{ mA}) - 0.40\nu + 0.40$
  - DN15:  $Q = 3.125 * (I - 4 \text{ mA}) - 0.45\nu + 0.45$
  - DN20:  $Q = 5.313 * (I - 4 \text{ mA}) - 0.55\nu + 0.55$
  - DN25:  $Q = 9.375 * (I - 4 \text{ mA}) - 0.80\nu + 0.80$
  - DN32:  $Q = 15.000 * (I - 4 \text{ mA}) - 0.80\nu + 0.80$



Huba Control AG  
Headquarters

Industriestrasse 17  
5436 Würenlos  
Telefon +41 (0) 56 436 82 00  
Telefax +41 (0) 56 436 82 82  
info.ch@hubacontrol.com

Huba Control AG  
Niederlassung Deutschland

Schlattgrabenstrasse 24  
72141 Walddorfhäslach  
Telefon +49 (0) 7127 23 93 00  
Telefax +49 (0) 7127 23 93 20  
info.de@hubacontrol.com

Huba Control SA  
Succursale France

Rue Lavoisier  
Technopôle Forbach-Sud  
57602 Forbach Cedex  
Téléphone +33 (0) 387 847 300  
Télécopieur +33 (0) 387 847 301  
info.fr@hubacontrol.com

Huba Control AG  
Vestiging Nederland

Hamseweg 20A  
3828 AD Hoogland  
Telefoon +31 (0) 33 433 03 66  
Telefax +31 (0) 33 433 03 77  
info.nl@hubacontrol.com

Huba Control AG  
Branch Office United Kingdom

Unit 13 Berkshire House  
County Park Business Centre  
Shrivenham Road  
Swindon - Wiltshire SN1 2NR  
Phone +44 (0) 1993 776667  
Fax +44 (0) 1993 776671  
info.uk@hubacontrol.com