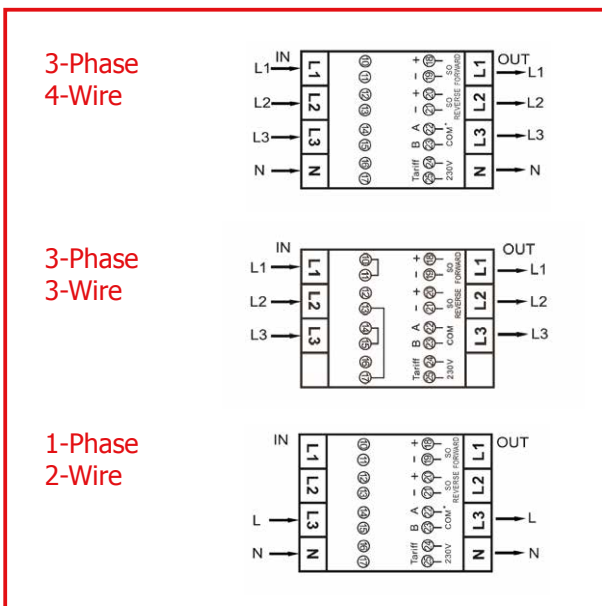
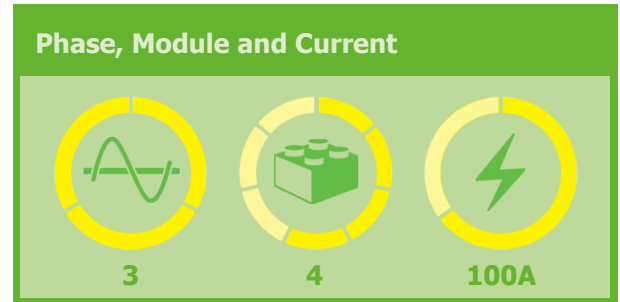


# Smart PRO380 - MID - Modbus/M-bus

The PRO380 series is a range of 4 module, three phase smart Energy Meters consisting of 3 different types each with their specific characteristics. They have an exceptional combination of a high accuracy class (1/B) and a broad temperature range of  $-40^{\circ}\text{C}$  -  $+70^{\circ}\text{C}$ .

The PRO380 series is available as a standard version (with a selectable S0 output) and also as a Modbus or M-bus version. It can communicate and be programmed via an infra-red input. The different communication modes have over 60 variables like; kWh, active and reactive energy, forward and reverse energy as well as Cos phi.

The PRO380 smart energy meter is equipped with a resettable day counter and the total energy usage can be calculated via 5 different modes.



\* No communication on the PRO380-S



**“The most complete 3-phase din-rail meter in the market”**

# Specifications

Smart PRO380

## Technical specifications

- Height with protection cover : 140mm
- Height without protection cover : 92,4mm
- Width : 70mm
- Depth : 63mm
- Mounting : DIN rail
- Active energy :  $\pm 1\%$
- Starting current : 0,05Ib
- Impulse SO duration : T-on: 45ms T-off: 270ms T-t: 140us
- Operating humidity :  $\leq 75\%$
- Storage humidity :  $\leq 95\%$
- Operating temperature :  $-40^{\circ} \sim +70^{\circ}\text{C}$
- Storage temperature :  $-40^{\circ} \sim +70^{\circ}\text{C}$
- Nominal Voltage (Un) : 230/400V AC
- Operational Voltage : 100/173V  $\sim$  270/468V
- AC Voltage withstand for 1 min : 4KV
- Impulse voltage 1.2uS Waveform : 6KV
- Basic current (Ib) : 5A
- Max current (Imax) : 100A
- Operational current range : 0,4%Ib~Imax
- Over current withstand : 30Imax for 0.01s
- Operational frequency range : 45-60Hz
- Int. power consumption :  $\leq 2\text{W/Phase} - \leq 10\text{VA/Phase}$
- Basic error : standard
- International standard / protocol : EN50470-3
- IP protection : 51
- Protective class : II
- Calculation of total energy : Forward, Forward+Reverse, Forward-Reverse, Reverse-Forward, Reverse
- Warranty : 60 months - Year 1-2 100%, Year 3 75%, Year 4 50%, Year 5 25%

## Different models

| Article number  | MID | Phase | Mod. | Cur. | Com.   | Display | Digits | Con. mode | SO | Back-light | Acc. Class | Tarriff | SO pulse output         |
|-----------------|-----|-------|------|------|--------|---------|--------|-----------|----|------------|------------|---------|-------------------------|
| 0255 PRO380-S   | Yes | 3     | 4    | 100A | x      | LCD     | 6+2    | direct    | 2  | yes        | B          | x       | Selectable <sup>1</sup> |
| 0256 PRO380-Mb  | Yes | 3     | 4    | 100A | M-bus  | LCD     | 6+2    | direct    | 2  | yes        | B          | 2       | Selectable <sup>1</sup> |
| 0257 PRO380-Mod | Yes | 3     | 4    | 100A | Modbus | LCD     | 6+2    | direct    | 2  | yes        | B          | 2       | Selectable <sup>1</sup> |
| 0269 PRO380-S   | x   | 3     | 4    | 100A | x      | LCD     | 6+2    | direct    | 2  | yes        | B          | x       | Selectable <sup>1</sup> |
| 0270 PRO380-Mb  | x   | 3     | 4    | 100A | M-bus  | LCD     | 6+2    | direct    | 2  | yes        | B          | 2       | Selectable <sup>1</sup> |
| 0271 PRO380-Mod | x   | 3     | 4    | 100A | Modbus | LCD     | 6+2    | direct    | 2  | yes        | B          | 2       | Selectable <sup>1</sup> |

<sup>1</sup> selectable options: 10.000-1.000-100-10-1-0.1-0.01