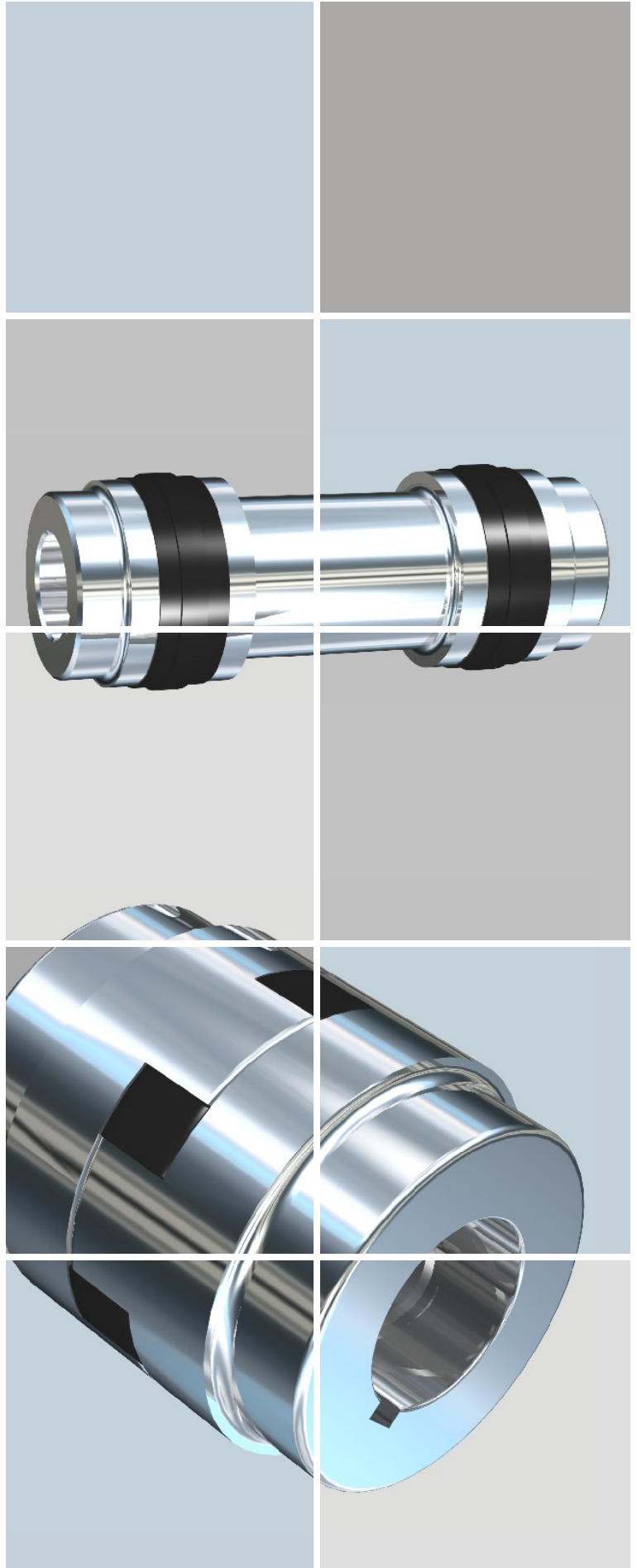


INKOMA-Elaflex couplings are available in a number of basic versions. They are used in general machinery in any situation where there is difficulty in achieving precise alignment between torque transmission components.

Because of their simple design and wide range of options, INKOMA-Elaflex couplings are extremely versatile. They provide positive drive, are fail-safe and are suitable for use in both directions of rotation. Effective damping of vibration and shock is achieved via the centre spider.

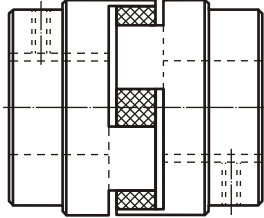
Through the use of different Shore hardness for the elastic 'spider' the INKOMA-Elaflex coupling allows the connection of the drive to be torsionally soft or torsionally hard according to the requirements of the application.

INKOMA-Elaflex couplings, when correctly applied, provide very high operating reliability. In addition to the basic designs we manufacture special executions to customer requirements. INKOMA-Elaflex couplings are used anywhere in machines where a dependable, economical, easy-to-install method of transmission is required.

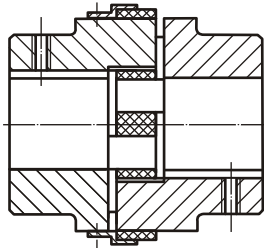


INKOMA Elaflex Couplings are available in the following versions:

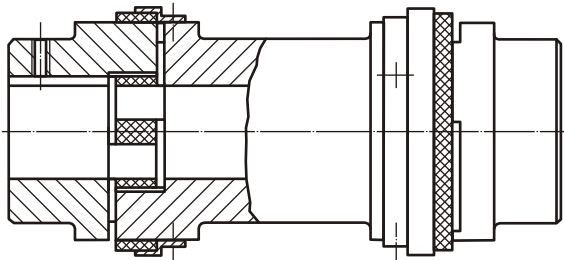
EFK - Elaflex coupling
Standard-Version



EFG - Elaflex coupling
Externally fitted spider



EFL - Elaflex coupling
Spacer version



Order code	Angular misalignment ¹⁾ α [°]	Radial offset ¹⁾ R [±mm]	max. speed n [1/min]	Torque [Nm]					
				80 Shore			92 Shore		
				Nom T_{KN}	Max T_{Kmax}	Oscillating load T_{KW}	Nom T_{KN}	Max T_{Kmax}	Oscillating load T_{KW}
EFK-016.S	1	0,15	10000	1	2	0,3	-	-	-
EFK-027.S	1	0,15	8000	3	6	0,8	6	12	1,6
EFK-036.S	1	0,15	7000	6	12	1,6	12	24	3,2
EFK-036.A	1	0,15	8000	6	12	1,6	12	24	3,2
EFK-045.G	1	0,15	7000	10	20	2,8	20	40	5,6
EFK-054.A	1	0,15	6000	25	50	7,0	51	102	14,5
EFK-054.G	1	0,15	5000	37,5	75	10,5	77	144	20,5
EFK-065.G	1	0,15	5000	75	150	21,0	154	308	40,5
EFK-085.G	1	0,15	4500	80	160	22,5	164	328	43
EFK-096.G	1	0,15	4500	120	240	33,5	246	592	65
EFK-115.G	1	0,15	4000	150	300	42,0	307	614	81
EFK-127.G	1	0,15	4000	225	450	63,0	409	818	107
EFG-054.G	1	0,15	5000	37,5	75	10,5	77	144	20,5
EFG-065.G	1	0,15	5000	75	150	21,0	154	308	40,5
EFG-085.G	1	0,15	4500	80	160	22,5	164	328	43
EFG-096.G	1	0,15	4500	120	240	33,5	246	592	65
EFG-115.G	1	0,15	4000	150	300	42,0	307	614	81
EFG-127.G	1	0,15	4000	225	450	63,0	409	818	107
EFL-054.G	1	0,15	5000	37,5	75	10,5	77	144	20,5
EFL-065.G	1	0,15	5000	75	150	21,0	154	308	40,5
EFL-085.G	1	0,15	4500	80	160	22,5	164	328	43
EFL-096.G	1	0,15	4500	120	240	33,5	246	592	65
EFL-115.G	1	0,15	4000	150	300	42,0	307	614	81
EFL-127.G	1	0,15	4000	225	450	63,0	409	818	107

¹⁾ max. offset at n=1500 1/min

Special sizes and executions are possible, please enquire.



INKOMA - GROUP Headoffice
Sitz der INKOMA Maschinenbau GmbH
Neue Reihe 44
D - 38162 Schandelah - Germany

phone: +49/(0)5306-9221- 0
fax: +49/(0)5306-9221-50
e-mail: info@inkoma.de
internet: www.INKOMA-GROUP.com

Request our [complete catalogue](#) or visit us on the [Internet](#). You can obtain a free download of our brochure or the product drawing of the selected item using the [CADENAS](#) facility.