

HSGK high performance screw jacks

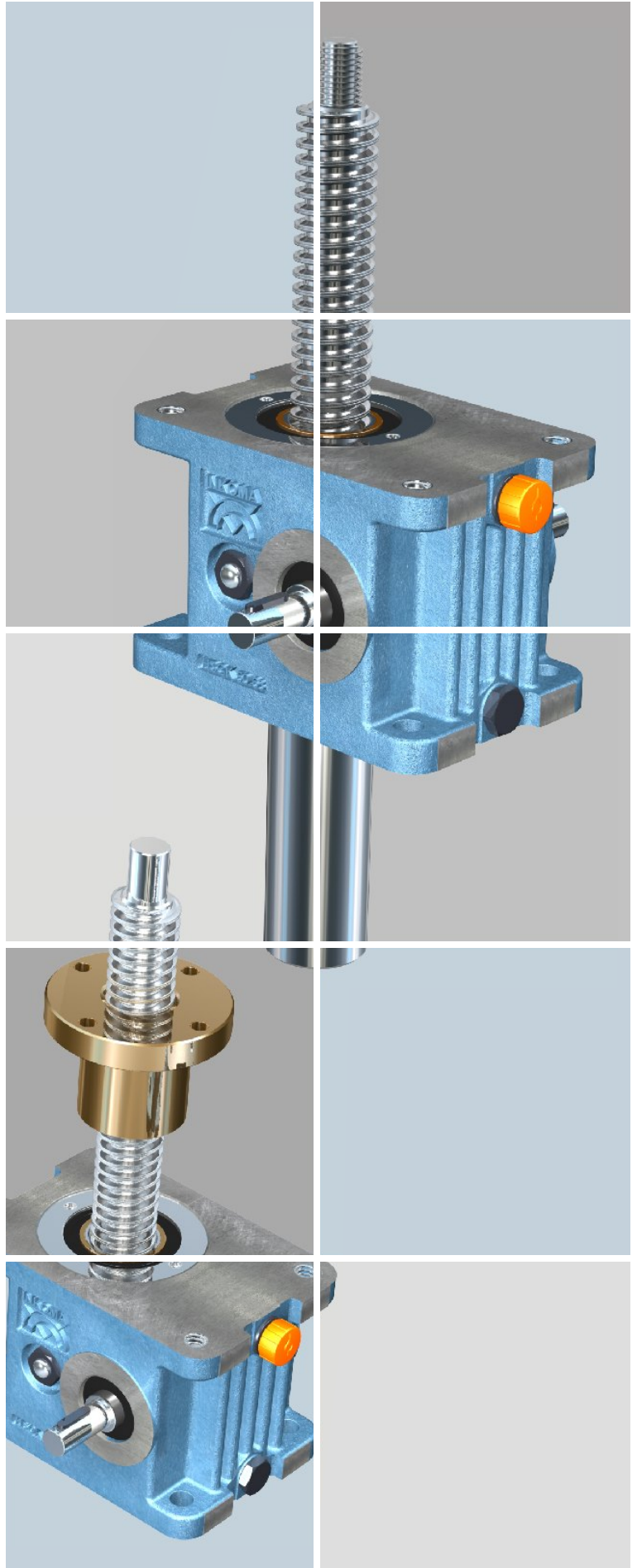
INKOMA-GROUP

INKOMA-screw jacks type HSGK with oil lubrication and cooling fins add a new dimension to the scope and range of the INKOMA-GROUP screw jacks programme. They guarantee optimum operation even in extreme situations.

INKOMA-HSGK-screw jacks are extremely robustly designed. Carefully chosen materials and high quality manufacture provide an outstanding drive unit. To achieve optimum heat dissipation the surface area is enhanced by cooling fins orientated with the spindle.

The lifting spindle, whether trapezoidal or ballscrew, is driven by the worm wheel via hardened and ground gears having optimal geometry. Needle rollers rather than plain bushes support the radial loads on the lifting spindle. These features ensure an increase in life and performance over conventional designs. Input speeds of up to 3000 r/min are possible and both compressive and tensile loads up to 1000 kN can be carried.

To ensure the most careful matching of your requirements we have developed a comprehensive range of accessories.



HSGK high performance screw jacks

Rotating version R



Translating version S



Rotating version R

The rotating version (R) achieves linear lifting motion through the rotation of the spindle.
In this version the spindle is axially fixed in the gearbox.

R: Rotating spindle

Translating version S

The translating version (S) lifts the load using the axial movement of the spindle. The spindle is moved through the Jack Housing by the rotation of the worm wheel. Any tendency of the spindle to rotate must be prevented. The spindle is contained within the housing by a travel limiting stop (version SA). Rotation prevention and travel limitation can be combined in version SVA.

S: Translating spindle

SA: Translating spindle with travel limiter

SVA: Translating spindle with rotation prevention and travel limiter

Lifting force: 5 to 1000 kN

Ratio: N: normal, L: slow

Lubrication: Oil

Accessories: see accessories for HSG, KSH, HSGK and DSH

Order code	max. lifting force [kN]	max. tensile force [kN]	Ratio N / L i	Lift per revolution N / L [mm]	Spindle d [mm]
HSGK-3-R	25	25	6:1 / 24:1	1,33 / 0,33	Tr 40x8
HSGK-4-R	50	50	7:1 / 28:1	1,28 / 0,32	Tr 50x9
HSGK-5-R	100	100	8:1 / 32:1	1,5 / 0,375	Tr 60x12
HSGK-6-R	200	178	8:1 / 32:1	1,5 / 0,375	Tr 70x12
HSGK-7-R ¹⁾	350	350	10,66:1 / 32:1	1,5 / 0,5	Tr 100x16
HSGK-8-R ¹⁾	500	500	10,66:1 / 32:1	1,5 / 0,5	Tr 120x16
HSGK-9-R ¹⁾	1000	1000	13,33:1 / 40:1	1,5 / 0,5	Tr 160x20
HSGK-3-S	25	25	6:1 / 24:1	1,33 / 0,33	Tr 40x8
HSGK-4-S	50	50	7:1 / 28:1	1,28 / 0,32	Tr 50x9
HSGK-5-S	100	100	8:1 / 32:1	1,5 / 0,375	Tr 60x12
HSGK-6-S	200	178	8:1 / 32:1	1,5 / 0,375	Tr 70x12
HSGK-7-S ¹⁾	350	350	10,66:1 / 32:1	1,5 / 0,5	Tr 100x16
HSGK-8-S ¹⁾	500	500	10,66:1 / 32:1	1,5 / 0,5	Tr 120x16
HSGK-9-S ¹⁾	1000	1000	13,33:1 / 40:1	1,5 / 0,5	Tr 160x20

¹⁾ Please ask about availability.

Cover versions

standard-flat

spigot cover

spigot cover with guidance ring

spigot cover with protective sleeve

spigot cover with guidance ring and protective sleeve

spigot cover with guidance ring and rotation prevention



INKOMA - GROUP Headoffice
Sitz der INKOMA Maschinenbau GmbH
Neue Reihe 44
D - 38162 Schandelah - Germany

phone: +49/(0)5306-9221- 0
fax: +49/(0)5306-9221-50
e-mail: info@inkoma.de
internet: www.INKOMA-GROUP.com

Request our [complete catalogue](#) or visit us on the [Internet](#). You can obtain a free download of our brochure or the product drawing of the selected item using the [CADENAS](#) facility.