

# KL Spiral bevel gear units

# INKOMA-GROUP

**INKOMA-spiral bevel gear units type KL** incorporate Klingelberg Spiral Bevel Gears. This results in high efficiency and a very high torque transmission capability.

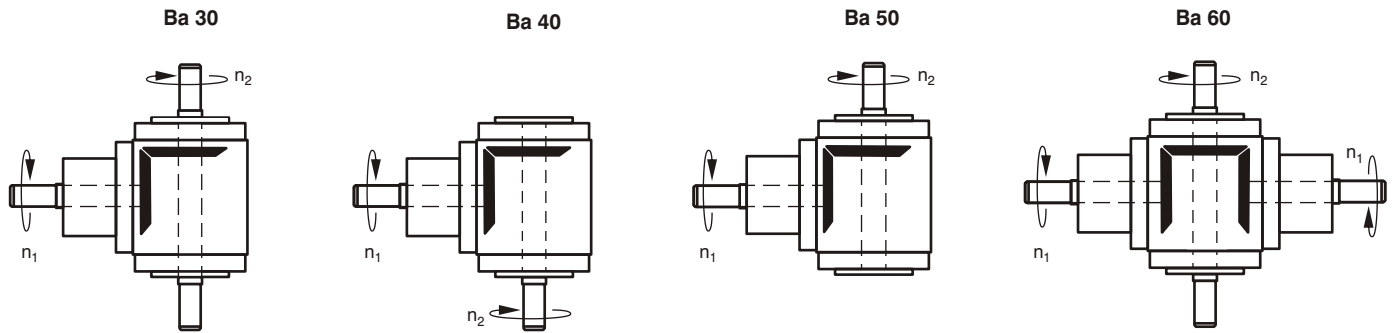
INKOMA-spiral bevel gear units are very quiet. Their compact and symmetrical dimensions provide a space-saving drive layout.

**Notable** about this design is a newly patented feature of the INKOMA-spiral bevel gear unit type KL. This allows a simple means of backlash adjustment without the need for disassembly. For normal applications the INKOMA-spiral bevel gear unit type KL is lubricated for life. For applications involving particularly high speeds and duty a breather is provided and periodical lubricant replacement is advisable.



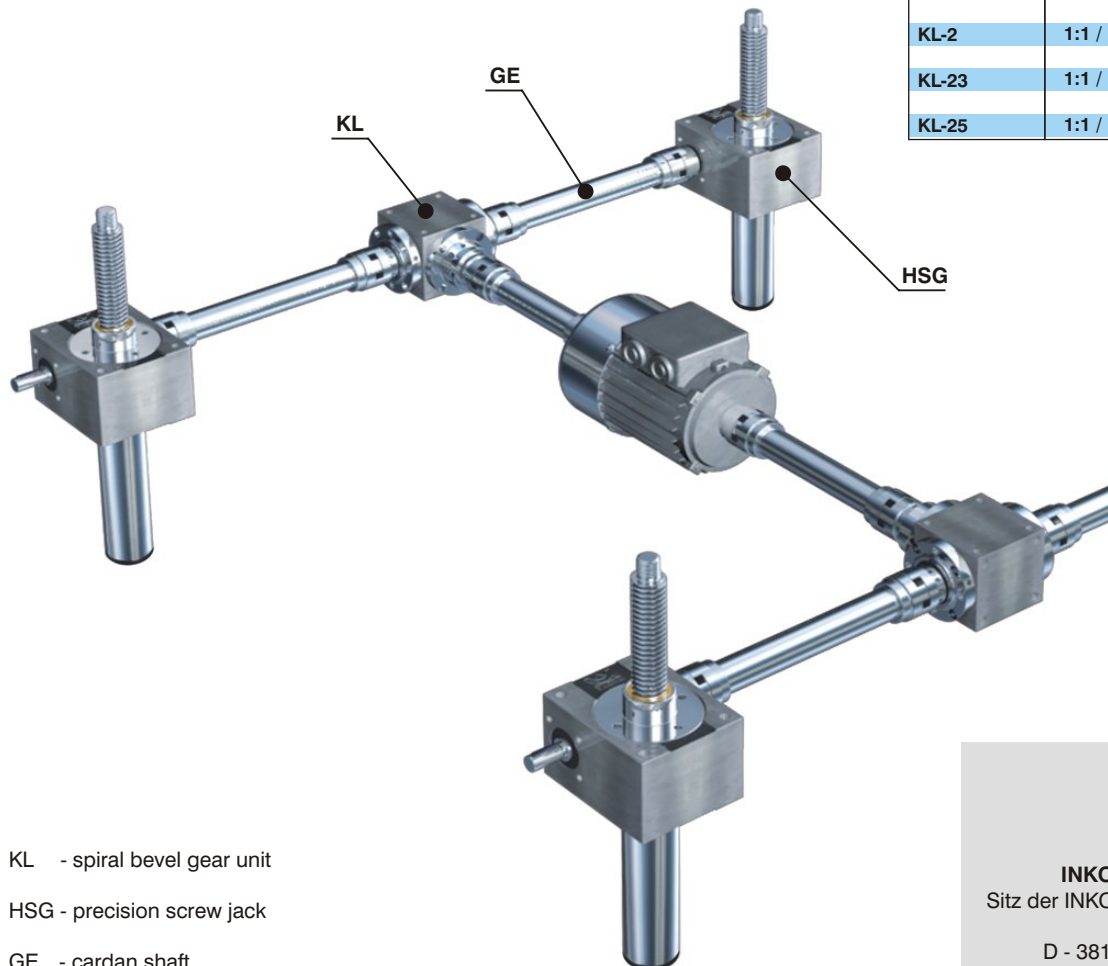
# KL Spiral bevel gear units

INKOMA-spiral bevel gear unit type KL is available in the following standard versions:  
Special sizes and executions are possible, please enquire.



The design of the INKOMA-spiral bevel gear unit type KL makes it easy to use in combination with other products.

Order code	Ratio
KL-0	1:1 / 1,5:1 / 2:1 / 3:1
KL-1	1:1 / 1,5:1 / 2:1 / 3:1 / 4:1 / 5:1 / 6:1
KL-2	1:1 / 1,5:1 / 2:1 / 3:1 / 4:1 / 5:1 / 6:1
KL-23	1:1 / 1,5:1 / 2:1 / 3:1 / 4:1 / 5:1 / 6:1
KL-25	1:1 / 1,5:1 / 2:1 / 3:1 / 4:1 / 5:1 / 6:1



KL - spiral bevel gear unit

HSG - precision screw jack

GE - cardan shaft



**INKOMA - GROUP Headoffice**  
Sitz der INKOMA Maschinenbau GmbH  
Neue Reihe 44  
D - 38162 Schandelah - Germany

phone: +49/(0)5306-9221- 0  
fax: +49/(0)5306-9221-50  
e-mail: info@inkoma.de  
internet: www.INKOMA-GROUP.com

Request our [complete catalogue](#) or visit us on the [Internet](#). You can obtain a free download of our brochure or the product drawing of the selected item using the [CADENAS](#) facility.