

Safety equipment for conveyor belts and machine protection



- Rotation speed monitors for braking and conveyor speed control
- Conveyor belt speed monitors and material flow control switches
- Rope and push button operated emergency STOP switches
- Pull rope emergency switches according to DIN/VDE 0660 T200/T210, EN 218
- Off track belt switches according to VDE
- Pull rope and emergency switches with Ex protected contacts according to ATEX guideline for use in zone 21 and 1
- Unlocking devices for supervisory control of drives
- Infrared sensors for steel factories, smelting works and rolling mills
- High temperature proximity sensors

MEYER INDUSTRIE - ELECTRONIC GMBH - MEYLE

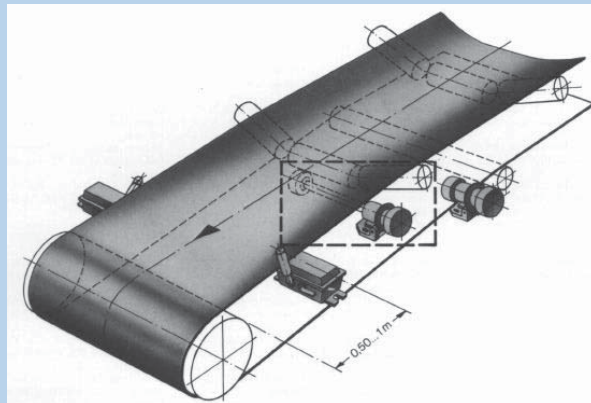
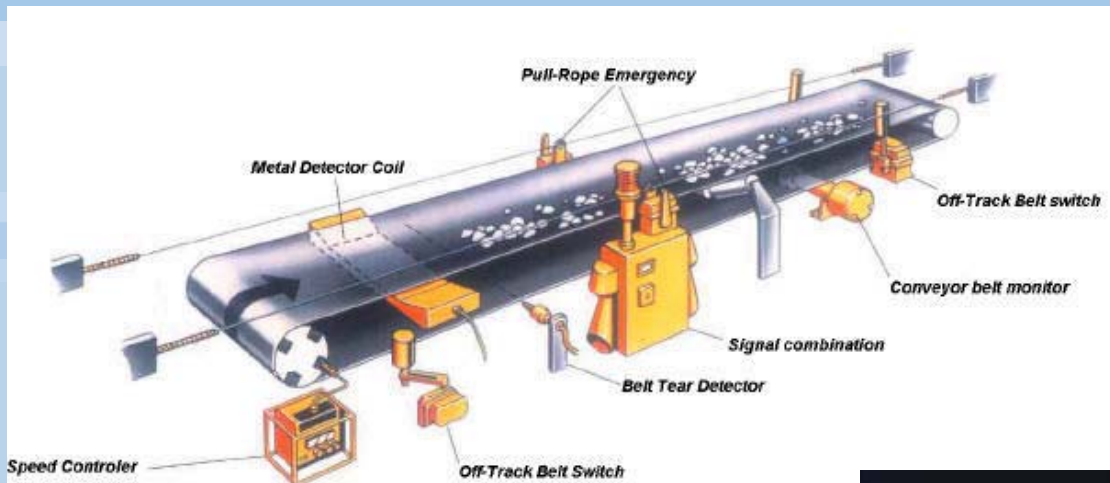
Carl-Bosch Str. 8-12 · 49525 Lengerich · Germany

Phone: +49-5481-93850 · Fax: +49-5481-938512

Internet: www.meyle.de · E-Mail: sales@meyle.de

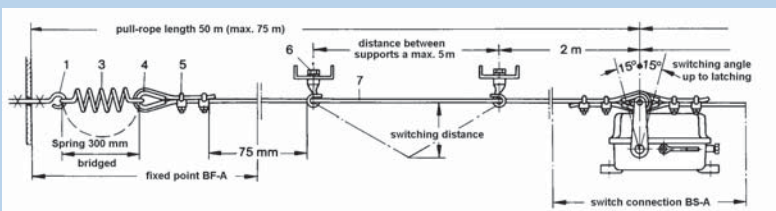
1965-2015
50 Jahre
MEYLE®

Safety equipment for conveyor belts and machine protection



- Pull rope emergency switches
- Lever limit switches
- Safety switches
- Belt alignment switches
- off-track belt switches
- Speed monitors
- Material flow switches
- Interlock bypass switches

...for use in harsh environments



MEYER INDUSTRIE - ELECTRONIC GMBH - MEYLE

Carl-Bosch Str. 8-12 · 49525 Lengerich · Germany

Phone: +49-5481-93850 · Fax: +49-5481-938512

Internet: www.meyle.de · E-Mail: sales@meyle.de

