

# Easidew TX I.S.

## ATEX, FM/CSA Certified Dew-Point Transmitter

### Technical Specifications

Performance		
Measurement range (dp)	-100 to +20°C (-148 to +68°F) dew point	
Accuracy (dp)	±2°C (±3.6°F) dew point	
Response time	5 mins to T95 (dry to wet)	
Repeatability	0.5°C (0.9°F) dew point	
Electrical output/input		
Output signal	4-20 mA (2-wire connection, current source) User configurable over range	
Output	Dew point, moisture content for ppm <sub>v</sub>	
Output range	Dew point: -100 to +20°C (-148 to +68°F) Moisture content in gas: 0-3000 ppm <sub>v</sub>	
Supply voltage	12-28 V DC	
Load resistance	Max 250 Ω @ 12 V (500 Ω @ 24 V)	
Current consumption	20 mA max	
Operating conditions		
Operating humidity	0-100% RH	
Operating temperature	-40 to +60°C (-40 to +140°F)	
Operating pressure	45 MPa (450 barg / 6500 psig) max	
Flow rate	1 to 5 NI/min (2.1 to 10.6 scfh) mounted in standard sampling block; 0 to 10 m/sec (0 to 32.8 fps) direct insertion	
Temperature coefficient	Temperature compensated across operating temperature range	
Mechanical specification		
Hazardous Area Certificates	ATEX - II 1 G Ex ia IIC T4 (-20°C ≤ Ta ≤ +70°C) FM - IS / I / 1 / ABCD / T4 Ta = +70°C CSA - IS Class 1 Div 1 Groups ABCD T4 IECEx - Ex ia IIC T4 (-20°C ≤ Ta ≤ +70°C)	
Ingress protection	IP66 in accordance with standard BS EN 60529:1992, and NEMA 4 in protection accordance with standard NEMA 250-2003	
Housing material	Stainless steel	
Dimensions	L=132mm x ø27mm (L=5.19" x ø1.06")	
Filter	HDPE Guard <10µm 80µm sintered guard (optional)	
Mounting Thread	5/8" - 18 UNF	
Weight	150g (5.29oz)	
Interchangeability	Fully interchangeable transmitter	
Diagnostic conditions (factory programmed)	Condition	Output
	Sensor fault	23 mA
	Under-range dew point	4 mA
	Over-range dew point	20 mA
Approved galvanic isolators	KFD2-CR-EX1.20200 KFD2-CR-EX1.30200 KFD0-CS-EX1.50P KFD0-CS-EX2.50P KFD2-STC4-EX1.H MTL5041, MTL5040	

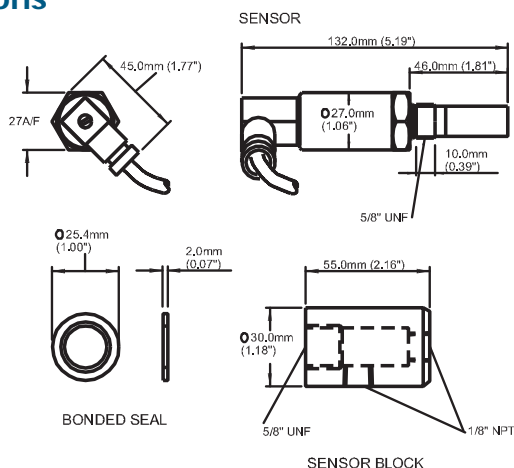


An ATEX, FM/CSA certified, 2-wire, rugged impedance dew-point transmitter for continuous measurement in hazardous area applications.

### Highlights

- ATEX FM/CSA certified
- 2-wire loop powered connection
- Dew point or ppm moisture content
- IP66 (NEMA 4)
- Excellent sensor protection
- Wide measurement range, calibrated -100 to +20°C (-148 to +68°F) dew point
- Operating temperature: -40 to +60°C (-40 to +140°F)
- Fast response

### Dimensions



Issue No: Easidew TX IS\_97168\_V3\_UK\_0312

# Easidew TX I.S.

## Accessories and Spare Parts

Pack of 10 replacement HDPE guards	<b>EA2-HDPE</b>
SS sintered guard replacement	<b>SSG</b>
Easidew communications kit for EA2	<b>EA2-CK</b>
SS sample block (5/8" UNF thread with 1/8" NPT ports)	<b>CSB</b>
3/4"-16 UNF to 5/8" UNF male adapter, SS (Panametrics thread)	<b>APT-PAN</b>
G 1/2" to 5/8" UNF male adapter, SS (E&H or GEI thread)	<b>APT-GEI</b>
1/2" BSP to 5/8" UNF thread adapter	<b>APT-BSP</b>
Cable, 0.8m (2.62') length with fittings + additional cable	<b>EA2-CAB-XX</b>
Easidew Sampler (see Accessories Section for details)	<b>EA2-SAM</b>
10 pk particulate filter cartridges (for SS filter unit (9996061))	<b>SSF-PF-10PK</b>
KFD0-CS-EX1.50P galvanic isolator (for Easidew PRO I.S. - Pepperl & Fuchs)	<b>GI-PF-01</b>
6mm (0.24") O.D thick walled PTFE sample tube	<b>PTFE-XX</b>

## Electrical Connections

4-20 mA connections 2-wire	
Pin 1	4-20 mA
Pin 3	POWER

## Ordering Codes

To construct the order code, select the relevant feature from the tables below, starting with the base model, which is {Feature A} and then add on options to create a string: {Feature A}+{Feature B}+{Feature C}

**Order example:** EA2-IS+90/20C+SS  
Easidew Transmitter I.S., -90 to +20°C dp range, stainless steel sintered guard

