

PCMini52

Relative humidity and temperature transmitter mini probe



The microprocessor control and multi-point calibration gives the PCMini52 RH transmitter an excellent performance in terms of accuracy and linearity. The mini probe transmitter can provide two linear analogue outputs for temperature and relative humidity, dew point or absolute humidity.

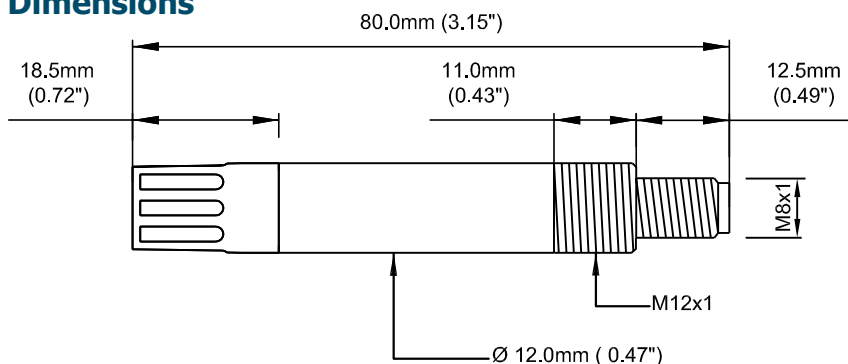
Highlights

- % RH or dew point or absolute humidity and temperature output
- Two analogue output signals
- Small size: 80mm x \varnothing 12
- Excellent linearity, (μ P) microprocessor temperature compensation
- Digitally corrected, no potentiometers
- Low power consumption, fast settling time

Technical Specifications

Performance	
Measurement range (RH)	0–100% RH
Measurement range (T)	0 to +100°C, -20 to +80°C, 0 to +50°C
Accuracy at 23°C Humidity	<±2% RH (10–90% RH)
Accuracy at 23°C Temperature	±0.2°C (-10 to +50°C)
Stability – RH Sensor	±1% RH/year
Response time – RH Sensor	<10 sec typical (for 90% of the step change)
Electrical output/input	
Output signal options	0–1VDC, 0–5VDC, 0–10VDC
Supply voltage	14–35VDC (for 0–5/10VDC) 4.5–35VDC (for 0–1VDC) and 14–26VAC
Operating conditions	
Operating humidity Probe, Housing, Storage	5-95% RH (non-condensing)
Operating temperature Sensing element Housing Storage	-30 to +70°C -30 to +70°C -40 to +70°C
Mechanical specification	
Ingress protection	IP65
Housing material	Plastic or stainless steel
Dimensions	L=80mm, \varnothing 12mm
Weight	10g
Electrical connections	4 pin, H8 connector

Dimensions

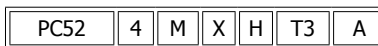


Accessories and spare parts	
Control kit HKC:	
You can check your hygrometer with the control kit HKC which is based on the principle of non-saturated salt solutions. Refer to technical data sheet CONTROL KIT.	
Connector with 2 metre cable	A-000033
Connector with 5 metre cable	A-000036
Connector with 10 metre cable	A-000037
Slotted protection cap, black	A-000003 (standard)
PVDF filter	A-000017
PVDF filter with protection cap	A-000018
Wire mesh filter with protection cap, black	A-000022
Sintered stainless steel dust filter	A-000023
Sintered stainless steel filter 20 µm	A-000028
Aluminium mounting flange	A-000111

Electrical Connections	
Cable	
Brown	V+
White	RH output or dew point or absolute humidity
Black	Temperature output
Blue	GND

Order codes

Michell Instruments relative humidity and temperature mini probe



Output configuration	
0–10 volt (only in combination with RH and T, Td or Ta output)	3
0–5 volt	4
0–1 volt	5

Body configuration	
Plastic	X
Stainless steel	S

Cable length	
No cable	A
2 metres	B
5 metres	C
10 metres	D

Temperature configuration	
No T output	X
0 to +100°C	T0
-20 to +80°C	T1
0 to +50°C	T3

Moisture signal configuration	
RH	H
Td in °C (only available with temperature range T1)	D
g/m ³ (only available with temperature range T1)	A

Example: PC52 4 M X H T3 A

Michell Instruments relative humidity and temperature mini probe PC52, plastic housing, 0–5 volt output, 0–100% RH signal, 0–50°C temperature range. No cable.

Please note: Michell Instruments adopts a continuous development programme which sometimes necessitates specification changes without notice. Please contact us for latest version. Ref: PCMini52_0309