

# M-VAC SERIES

## MEDICAL VACUUM FILTERS

operating pressure	<b>20 to 2000 mbar(abs)</b>
volume flow rate	<b>7,5 to 787 Nm<sup>3</sup>/h</b>
connections	<b>3/8" to DN150</b>
operating temp. range	<b>1,5 to 65 °C</b>
standard colour	<b>RAL 9003</b>

### APPLICATIONS

- operating theatres
- maternity units
- dental applications
- pathology laboratories
- pharmaceutical applications
- mortuary and post-mortem rooms

### DESCRIPTION

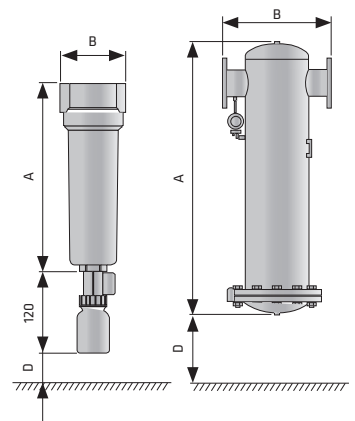
M-VAC filters are designed for medical vacuum applications. They are optimised for high-efficient removal of bacterial and other contamination (solids and liquids) from the suction side of vacuum pumps preventing damage to the pump and the potential biological infection of the surrounding environment. Removed liquids are collected in a transparent flask which can be removed for sterilisation.

The efficiency of the installed filter elements exceeds the 0,005% penetration specified in HTM 2022 for infectious disease units, when tested in accordance with BS 3928.





TECHNICAL DATA								FILTER ELEMENTS
Filter model	Pipe size	Free air capacity at atmospheric pressure		Dimensions [mm]			Mass	VAC
	inch	Nm <sup>3</sup> /h	scfm	A	B	D	kg	
M-VAC 0056	3/8"	7,5	4	187	88	60	0,7	06050
M-VAC 0076	1/2"	9,8	6	187	88	60	0,7	07050
M-VAC 0106	3/4"	15,0	9	257	88	80	0,8	14050
M-VAC 0186	1"	24,8	15	263	125	100	1,8	12075
M-VAC 0306	1"	41,9	25	363	125	120	2,5	22075
M-VAC 0476	1 1/2"	63,8	38	461	125	140	2,5	32075
M-VAC 0706	1 1/2"	97,5	57	640	125	160	3,2	50075
M-VAC 0946	2"	125	74	684	163	520	5,1	51090
M-VAC 1506	2"	187,5	110	935	163	770	7,1	76090
M-VAC 1756	2 1/2"	210	124	935	163	770	6,9	76090
M-VAC 2006	3"	270	159	795	240	630	12,9	51140
M-VAC 2406	3"	345	203	1000	240	780	14	75140
M-VAC B240	DN80	275	162	1170	450	650	61	1x 76090
M-VAC B300	DN100	394	232	1340	560	650	115	2x 76090
M-VAC B450	DN125	587	345	1340	560	650	123	3x 76090
M-VAC B600	DN150	787	463	1425	620	650	178	4x 76090
pressure drop - new element-dry [mbar / psi]								30 / 0,45
filter media								borosilicate micro fibres
min. operating temperature (°C / °F)								1,5 / 35
max. operating temperature (°C / °F)								65 / 149



CORRECTION FACTORS													
Absolute pressure [bar]	1	0,9	0,8	0,7	0,6	0,5	0,4	0,3	0,2	0,1	0,05	0,02	
Absolute pressure [psi]	14,7	13	11,6	10,2	8,7	7,3	5,8	3,3	2,9	1,45	0,73	0,29	
Correction factor	1	0,9	0,8	0,7	0,6	0,5	0,4	0,3	0,2	0,1	0,05	0,02	

• To calculate the correct capacity of a given filter based on actual operating conditions, multiply the nominal flow capacity by the appropriate correction factor.