

# CS /CS SS SERIES

## WELDED SEPARATORS

operating pressure	<b>16 bar</b>
volume flow rate	<b>840 to 14280 Nm<sup>3</sup>/h</b>
connections	<b>DN65 to DN300</b>
operating temp. range	<b>1,5 to 65 °C</b>
standard colour CS	<b>RAL 9005</b>
material CS series	<b>carbon steel</b>
material CS SS series	<b>stainless steel 1.4301</b>

### APPLICATIONS

- automotive
- electronics
- food and beverage
- chemical
- petrochemical
- plastics
- paint
- general industrial applications

### DESCRIPTION

CS condensate separators are designed for high efficient removal of bulk liquids and large impurities from compressed air systems. The insert inside the housing creates controlled rotation of the air flow. Centrifugal flow of liquids (water, oil) and large particles is forced to the housing wall, slowed down and accumulated at the bottom of separator housing as condensate.

The turbulent free zone in the lower part of the cyclone housing prevents condensate from being picked up and "carried over" into the airstream. To discharge condensate from the CS cyclone separator it is essential to install automatic or electronic condensate drain. CS cyclone separators are also available in stainless steel version CS-SS.



**CS**



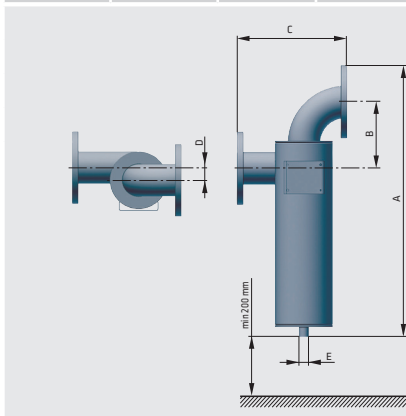
**CS SS**





**TECHNICAL DATA**

Model		Pipe size	Max.oper. pressure	Flow rate at 7 bar(g), 20 °C		Temperature oper. range		Dimensions [mm]					Mass
carbon steel	stainless steel	DN	bar/psi	Nm³/h	SCFM	°C	°F	A	B	C	D	E	kg
<b>CS 14</b>	<b>CS SS 14</b>	65	16/232	840	495	1,5 - 65	35 - 149	613	153	302	45	1/2"	21
<b>CS 28</b>	<b>CS SS 28</b>	80	16/232	1710	1005	1,5 - 65	35 - 149	745	182	302	35	1/2"	26
<b>CS 62</b>	<b>CS SS 62</b>	125	16/232	3720	2190	1,5 - 65	35 - 149	1041	280	390	37	1/2"	56
<b>CS 88</b>	<b>CS SS 88</b>	150	16/232	5280	3110	1,5 - 65	35 - 149	1298	330	489	50	1/2"	94
<b>CS 124</b>	<b>CS SS 124</b>	200	16/232	7440	4380	1,5 - 65	35 - 149	1506	436	619	52	1/2"	147
<b>CS 238</b>	<b>CS SS 238</b>	300	16/232	14280	8404	1,5 - 65	35 - 149	1673	504	805	91	1/2"	290



quality class - solids (ISO 8573-1)	-
quality class - water (ISO 8573-1)	8
quality class - oils (ISO 8573-1)	-
efficiency	>98%

**CORRECTION FACTORS**

Operating pressure [bar]	2	3	4	5	6	7	8	9	10	11	12	13	14	15	16
Operating pressure [psi]	29	44	58	72	87	100	115	130	145	160	174	189	203	218	232
Correction factor	0,38	0,50	0,63	0,75	0,88	1	1,13	1,25	1,38	1,50	1,63	1,75	1,88	2,00	2,13