

CDB - Shunt boxes

The CDB series box cabinets are derived from the ST series. The body of the box cabinet is completely blind, and it is not equipped with any type of flange; nevertheless, it may be custom bored according to the customer's requirements. The pre-bored supports are welded inside the box, which permit insertion of a large plate, which facilitates the installation of terminal boxes, cable raceways and DIN guides. The plate can also be customised with special boring. There is a triple corner in the coupling between the cable raceway and the cabinet, which is especially designed to allow maximum aperture for access inside the box cabinet. The blind cover is screwed on (with Phillips screws) and is equipped with a polyurethane gasket that guarantees the gasket remains perfectly impermeable to water (IP 55 protection).

Optional elements:

The blind cover can be provided with quarter-turn screws on request (rapid closure).



Fig. 114.1

CDB - Shunt box with cover

basic components:

- Press-bent and welded box structure;
- Screw on blind cover;
- Welded plate attachment supports.

Elements available on request:

- Galvanised component support plate;
- Rapid closure screws (quarter-turn).

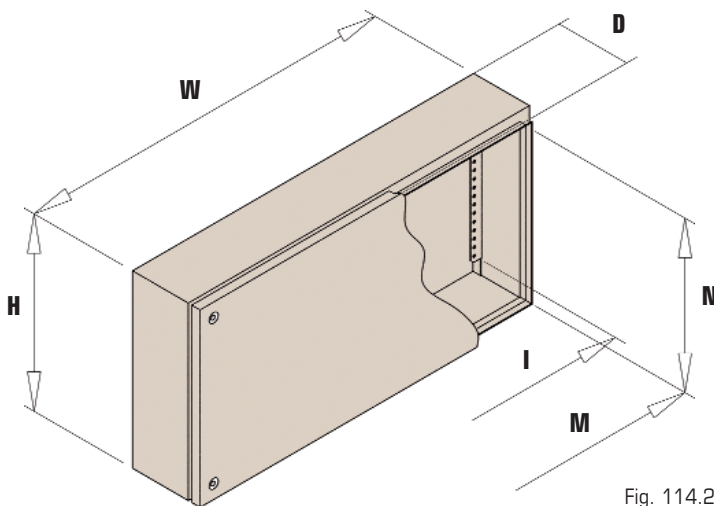


Fig. 114.2

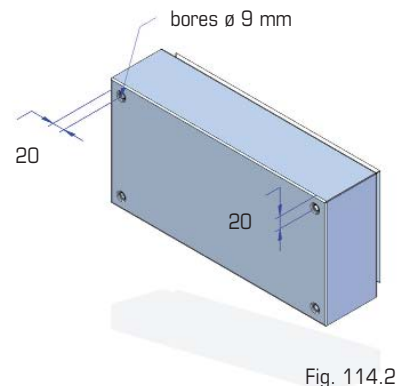


Fig. 114.2