



Oscillating Mountings ABI and ABI-HD

- For screen and conveyor applications
- Stainless steel material
- Load capacities from 70N to 14'000N
- ABI with high degree of isolation
- ABI-HD with high load capacity

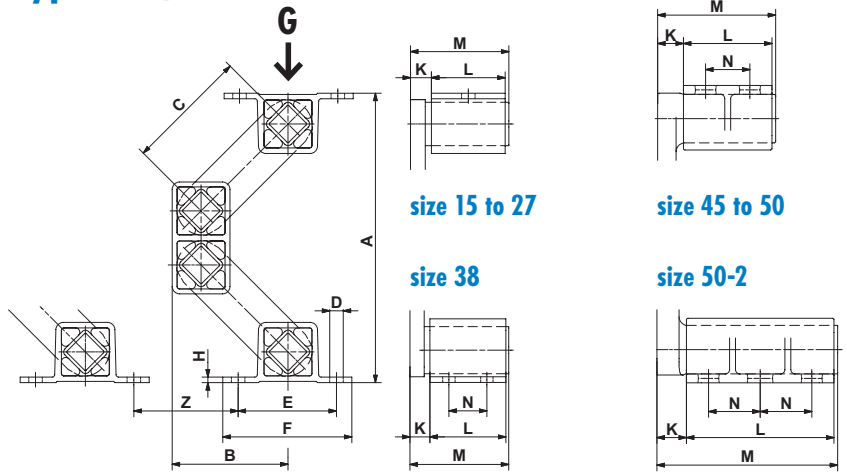
Available as from
Spring 2015!





Oscillating Mountings

Type ABI / ABI-HD



Art. No.	Type	Load capacity Gmin.-Gmax. [N]	Natural frequency Gmin.-Gmax. [Hz]	A	A*	B	B*	C	Z**	Capacity limits by different rpm						can be combined with
										720 min ⁻¹ sw max. [mm]	K max. [-]	960 min ⁻¹ sw max. [mm]	K max. [-]	1440 min ⁻¹ sw max. [mm]	K max. [-]	
07 171 107	ABI 15	70-180	4.0-2.8	167	114	70	88	80	65	14	4.1	12	6.2	8	9.3	-
07 171 118	ABI 20	160-460	3.6-2.5	214	148	89	111	100	80	17	4.9	15	7.7	8	9.3	-
07 171 109	ABI 27	250-800	3.7-2.7	235	170	94	116	100	80	17	4.9	14	7.2	8	9.3	-
07 171 110	ABI 38	600-1'600	3.0-2.4	305	225	120	147	125	100	20	5.8	17	8.8	8	9.3	-
07 171 111	ABI 45	1'200-3'000	2.8-2.3	353	257	137	168	140	115	21	6.1	18	9.3	8	9.3	-
07 171 112	ABI 50	2'500-6'000	2.4-2.1	380	277	150	184	150	140	22	6.4	18	9.3	8	9.3	ABI 50-2
07 171 113	ABI 50-2	4'200-10'000	2.4-2.1	380	277	150	184	150	140	22	6.4	18	9.3	8	9.3	ABI 50

Art. No.	Type	Load capacity Gmin.-Gmax. [N]	Natural frequency Gmin.-Gmax. [Hz]	A	A*	B	B*	C	Z**	Capacity limits by different rpm						can be combined with
										720 min ⁻¹ sw max. [mm]	K max. [-]	960 min ⁻¹ sw max. [mm]	K max. [-]	1440 min ⁻¹ sw max. [mm]	K max. [-]	
07 171 121	ABI-HD 15	150-400	5.8-3.6	132	107	36	50	45	35	8	2.3	7	3.6	5	5.8	-
07 171 122	ABI-HD 20	380-900	5.2-3.2	177	146	48	66	60	50	10	2.9	9	4.6	7	8.1	-
07 171 123	ABI-HD 27	500-1'250	4.8-3.1	215	182	59	78	70	60	12	3.5	10	5.2	8	9.3	-
07 171 124	ABI-HD 38	1'200-2'500	3.6-2.7	293	246	79	106	95	90	15	4.3	13	6.7	8	9.3	-
07 171 125	ABI-HD 45	2'000-4'200	3.3-2.5	346	290	94	126	110	100	17	4.9	14	7.2	8	9.3	-
07 171 126	ABI-HD 50	3'500-8'400	3.2-2.4	376	313	105	141	120	120	18	5.2	15	7.7	8	9.3	ABI-HD 50-2
07 171 127	ABI-HD 50-2	6'000-14'000	3.2-2.4	376	313	105	141	120	120	18	5.2	15	7.7	8	9.3	ABI-HD 50

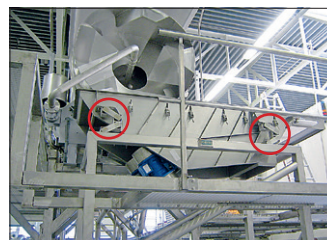
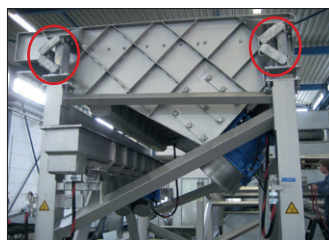
ABI / ABI-HD identical data

Type ABI and ABI-HD	D	E	F	H	K	L	M	N	Housings	Material structure	
										Inner parts	
ABI 15 / ABI-HD 15	7x10	50	65	3	10	40	52	-	Stainless steel casting GX5CrNi19-10 (1.4308)	Stainless steel welded construction X5CrNi18-10 (1.4301)	
ABI 20 / ABI-HD 20	9x15	60	80	3.5	14	50	67	-		Stainless steel casting GX5CrNi19-10 (1.4308)	
ABI 27 / ABI-HD 27	11x20	80	105	4.5	17	60	80	-		Stainless steel casting GX5CrNi19-10 (1.4308)	
ABI 38 / ABI-HD 38	13x20	100	125	6	21	80	104	40		Stainless steel casting GX5CrNi19-10 (1.4308)	
ABI 45 / ABI-HD 45	13x26	115	145	8	28	100	132	58		Stainless steel casting GX5CrNi19-10 (1.4308)	
ABI 50 / ABI-HD 50	17x27	130	170	12	35/40	120	160/165	60		Stainless steel casting GX5CrNi19-10 (1.4308)	
ABI 50-2 / ABI-HD 50-2	17x27	130	170	12	40/45	200	245/250	70	Stainless steel casting GX5CrNi19-10 (1.4308)		

* compression load Gmax. and final cold flow compensation (after approx. 1 year).

** separate assembly instructions are available, please ask for details.

This new products are interchangeable with the AB and AB-HD Standard Oscillating Mountings from ROSTA.



ROSTA AG

Hauptstrasse 58
CH-5502 Hunzenschwil
Phone +41 62 889 04 00
Fax +41 62 889 04 99
E-Mail info@rosta.ch
Internet www.rosta.com