

**GET YOUR ENVIRONMENT  
UNDER CONTROL!**

# MyAlarm<sup>2</sup>

GSM / GPRS Remote Control Terminal

Alarm Management Unit

Datalogger



[www.seneca.it/myalarm](http://www.seneca.it/myalarm)

 **SENECA**

# GET YOUR ENVIRONMENT UNDER CONTROL!

## MyAlarm<sup>2</sup>

GSM / GPRS Remote Control Terminal, Alarm Management Unit, Datalogger

### TECHNICAL FEATURES

#### COMMANDS / NOTIFICATION MODE

- Configuration also via e-mail
- Remote Commands by phone ring, SMS, Email
- SMS / Email / Phone ring Alarm notification
- Bi-directional SMS (Alarms & Commands)

#### ALARM MANAGEMENT

- SMS text, Email
- Alarm on power supply fault
- Limit alarm for counters and totalizers
- Limit alarm on built-in temperature sensor

#### SPECIAL FUNCTIONS

- Up to N.16 Fast SMS Commands for any remote action
- Thermostat for heating/cooling control
- Alarms for counters measures per day/week/month
- Email / SMS feedback when command has been executed
- Timers for recurrent commands or at prefixed time/date
- Time counter with alarm threshold trigger
- Dynamic Datalogger

#### TECHNICAL FEATURES

- GSM / GPRS communication
- USB 2.0 interface, mini USB
- Slot Micro SD (up to 32 GB)
- Built-In Temperature Probe
- N.4 Digital Input
- N.4 Counters (@32 bits, max 10 Hz)
- N.4 Totalizers (@32 bits, max 10 Hz)
- N.2 SPST Relay Output 3 A (Option)
- N. 2 Analog Input (0-20 mA, 0-10 V), 16 bit resolution
- Built-In Flash Memory [2 Mb]
- Power supply through USB port or clamps



 **SENECA**

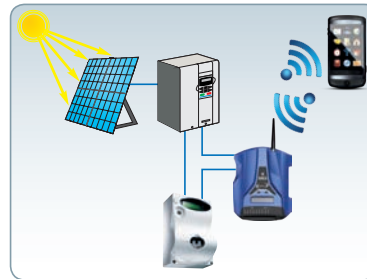
## APPLICATION

Seneca provides several custom applications integrated and pre-programmed into the device. In this way we're providing to the user the relevant functionalities to his needs, minimizing the activities of customization. In any case, although standard, the applications described in these pages may be modified, extended and adapted to specific situations.



### Automatic Gates Control

- Opening or closing the gate through a simple ring
- Management of phone numbers authorized to perform the commands.
- Timer setting for the extended phonebook numbers (up to 250 users)



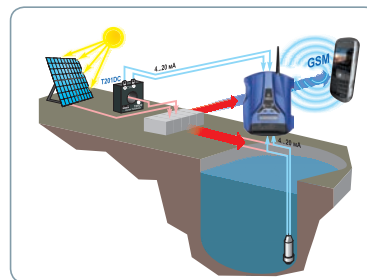
### PV System Control

- Alarm activation low energy production
- LED counter acquisition through photodiode
- kW monthly production sending data



### Boiler Remote Control

- Turning on and off of a boiler by SMS (fast commands) acting on outputs.
- Thermostat function with built-in thermometer.
- Boiler shut-down / ignition



### Telecontrol and process control systems

- SMS telecontrol system
- Process variable monitoring
- Integrated alarm management



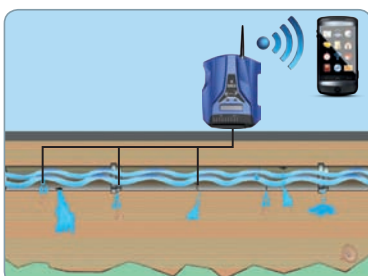
### Power Failure Control

- SMS sending to all users in the phonebook in case of power failure
- Switching to a battery power supply (8-12 hours lifetime)
- Resetting the breaker



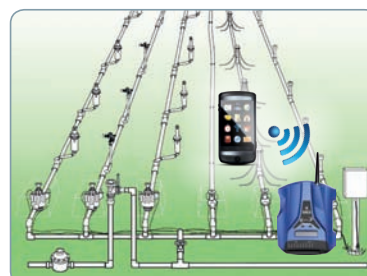
### Antitheft System

- Detecting of any unauthorized intrusion into buildings
- Alarms Sending both via SMS/ Email or through a sound alarm connected to the output.
- Simultaneous control of up to 4 rooms



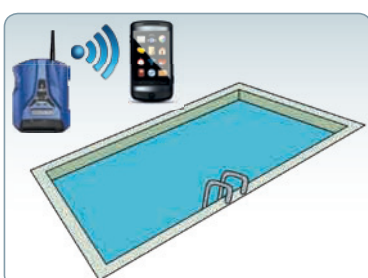
### Leakage & water consumption monitoring

- Control of consumption by associating the water counter connected to MyAlarm2
- Water loss monitoring
- Monitoring any leakage on a system with a running flow meter via SMS/ Email



### Timed Automation Function

- Repeated action: allows you to freely set the period of time as each perform an appropriate action
- Weekly Schedule: allows you to choose the days and weekly times in which to perform specific actions.
- Monthly Schedule: allows you to perform any action on an established day of the month



### Swimming Pool Control

- Switching ON of the lights sunset time calculated by GPS location
- Timer and automatic control of filtration pump depending on water temperature
- Alarm for blackout



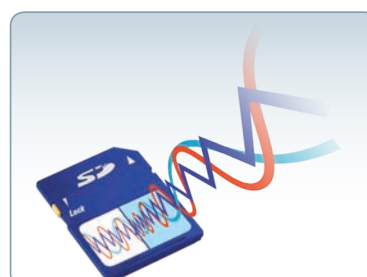
### Boat Control

- Anti-theft GPS tracker
- Measurement and alarm system for virtual fence
- GPS tracker
- Alarm for blackouts



### GPS Functions (option)

- GPS tracker alarm
- Speed limit warning
- SMS/Email with GPS position by Google maps
- Virtual fence alarm



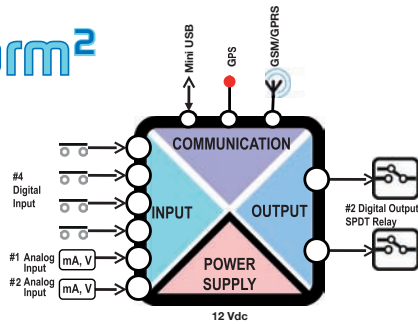
### Datalogging

- Alarms & Commands Log
- Variables Log (totalizers, counters, temperature, I/O status, GPS coordinates)
- Datalogging on internal flash memory or microSD card max 32 GBytes





# MyAlarm<sup>2</sup>



MyAlarm2 is a GSM / GPRS telecontrol unit for home & building applications, industrial plants and machines through simple commands sent by SMS text messages, phone rings, emails. It operates with any cell phone or smartphone.

With MyAlarm2 is possible to switch a boiler on / off, turn a contact on / off and etc. The device has a GSM / GPRS module inside that works as a telephone terminal on any cellular network.

## TECHNICAL SPECIFICATIONS

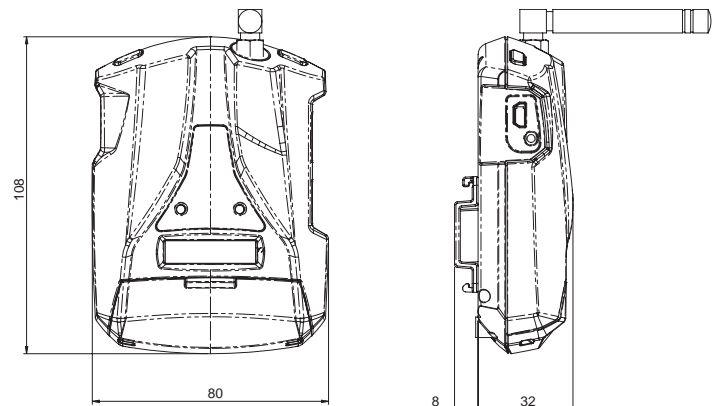
GENERAL DATA	
Supply Voltage	12 Vdc @ 100 mA
Power Consumption	3,5 W (max)
IP Protection	IP20
Battery	Recharging Li-On Battery (16-24 hours lifetime)
Signal Status	GSM / GPRS Power
Operating Temp.	-10...+ 65 °C
Protection Degree	IP20
Built-in temperature probe	0.1% Accuracy Class
Connection	Removable terminal blocks, 3,5 mm PUSH-PUSH SIM card slot Stilo antenna connector GPS High speed mini USB 2.0 B Type
Memory	Built-in Flash Memory 2 MB Micro SD Slot up to 32 GB
Display	Graphic LCD 32x128 pixels Display scroll button
GSM	Quad band 850 / 900 / 1800 / 1900 MHz
Norms	EN61000-6-2/2006-10, EN61000-6-4/2002-10, EN301 511 EN301 489-1, EN301 489-7, EN60950
Dimension	80 x 105 x 30 mm
DIGITAL INPUT	
Channels	4
Type	Reed contact, NPN 2/3 wire, Photoelectric, Hall, TTL Max freq. Counter 10 Hz 10 timers
ANALOG INPUT	
Channels	2
Type	0..20 mA, 0...30 V
DIGITAL OUTPUT (OPTION)	
Channels	2
Type	SPST 3 A Relay
GPS UNIT (OPTION)	
GPS sensor	42 channel receiver GPS L1 C/A code Trascking sensivity: -160 dBm Position accuracy: < 2.5 m CEP Virtual fence alarm Over speed alarm Location tracking on Google Maps® via sms/email
Main functions	
INTEGRATED PHONEBOOK	
Command	20 email + 10 phone numbers (1 admin) on flash memory
Alarm	20 email + 10 phone numbers on flash memory
Ring Command	250 users on SIM

CONFIGURATION	
Alarm management	<ul style="list-style-type: none"> <li>Enabling and sending SMS alert</li> <li>Alarm on input (instantaneous or delayed)</li> <li>SMS text, Email commands to be executed</li> <li>Alarm on power supply fault</li> <li>Limit alarm for counters and totalizers</li> <li>Limit alarm on temperature</li> <li>Incremental Alarms</li> <li>GPS Alarms</li> </ul>
Settings	Password Management Credit Check File Management Calendar SIM configuration SMS Re-addressing
Programming toolkit downloadable by <a href="http://www.seneca.it">www.seneca.it</a>	EASY SETUP (Plug&Play configurator) SEAL (SENECA Advanced Language)

PRODUCT CONFIGURATION		
Code	Option	Description
MYALARM2		GSM Alarm & Telecontrol Unit
SPST relay board	-0	No
	-R	Yes
GPS unit	-0	No
	-G	Yes
Radio module	-0	No
	-W	Yes
Connection system	-C	Terminal blocks
	-M	Clamps
Colour	-B	Blue
	-G	Grey
	-S	Special

**Accessories:** GPS External Antenna, 220 / 12 V power supply cable, GSM External Antenna (3 m), Anti-Intrusion sensor, Photodetector (Pulscap), Flood Detector, External temperature probe, Reed Contact, Remote controlled socket, Micro SDcard, PV Fiber Optic Security System

## DIMENSION



via Germania, 34 • 35127 Padova - (I) - Tel. +39 049 87.05.359 (.408)  
Fax +39 049 87.06.287 • [www.seneca.it](http://www.seneca.it) • [info@seneca.it](mailto:info@seneca.it)

The material in this document is for information only and is subject to change without notice. While reasonable efforts have been made in the preparation of this document to assure its accuracy, SENECA assumes no liability resulting from errors or omissions, or from the use of the information contained herein.