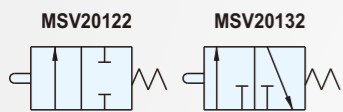


Symbol



Features

- * Miniature and compact size
- * Quick response with large flow rate



How to order

MSV20122

Mechanical valves

MSV20122	2/2 way
MSV20132	3/2 way

01

Port size

01	1/8"
----	------

N

Thread

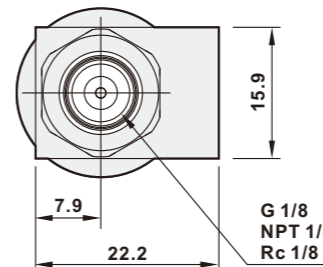
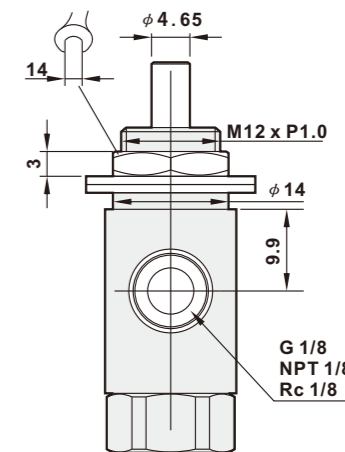
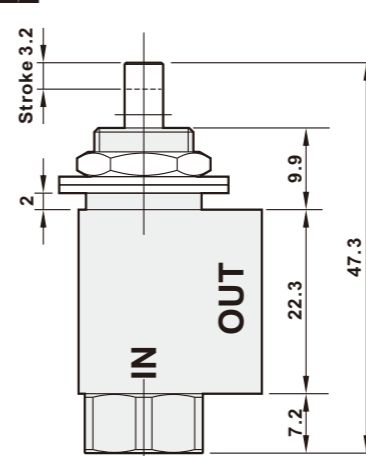
Blank	G
N	NPT
R	Rc

Specifications

Model	MSV20122-01	MSV20132-01
Port size	1/8"	
Body material	Forged Brass	
Panel diameter	12mm	
Fluid	Compressed air	
Effective area	8.5mm ²	
Operating pressure range	0 ~ 9 kgf/cm ²	
Proof pressure	10kgf/cm ²	
Ambient temperature	-10°C ~ 60°C	
Net weight	70g	
Force for full stem actuation	53 Oz.nominal	

Dimensions

MSV20122



MSV20132

