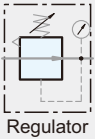


Symbol



Features

- * Constant and stable fluid pressure control, smallest influence for outlet pressure while inlet pressure is unstable.
- * Precision pressure setting, sensitivity within $\pm 0.5\%$ F.S.
- * Suitable for high precision tension control, balanced air pressure application.



How to order

URP

Precision regulator

URP	0.1~8 kgf/cm ²
URPL4	0.1~4 kgf/cm ²
URPL2	0.05~2 kgf/cm ²

02

Port size

02	1/4"
----	------

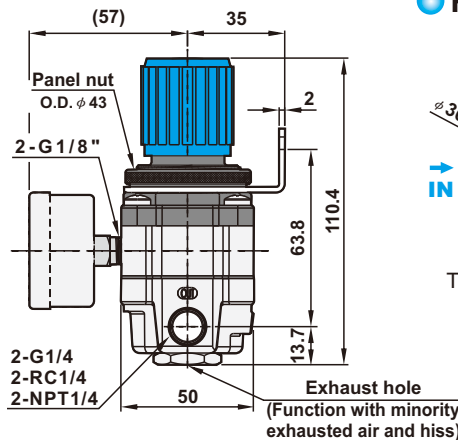
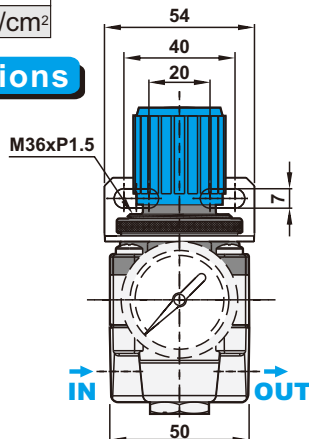
N

Thread

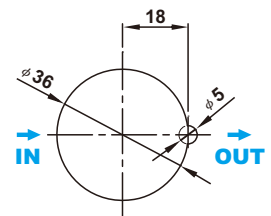
Blank	G
N	NPT
R	Rc

Note: Please install filter UF series upstram to prevent from damage of water or dirt , so as for longer life of the pneumatic unit.

Dimensions



Panel Bore Size



Thickness: Max. 3.5

Specifications

Model	URP-02	URPL4-02	URPL2-02
Port size		1/4"	
Fluid		Compressed air	
Regulator construction		Diaphragm	
Body material		Aluminum die-cast	
Operating pressure range	0.1~8 kgf/cm ²	0.1~4 kgf/cm ²	0.05~2 kgf/cm ²
Proof pressure		10 kgf/cm ²	
Sensitivity		0.2% (F.S.)	
Repeatability (switch output)		$\pm 0.5\%$ (F.S.)	
Ambient temperature		-5°C ~ 60°C	
Standard color of regulating knob	Blue	Orange	Yellow
Net weight	345g (Exclusive of pressure gauge, mounting bracket)		
Accessories	Plug, Panel mounting nut		
Accessories (option)	Mounting bracket, pressure gauge (Please refer to P1-64 for selection)		