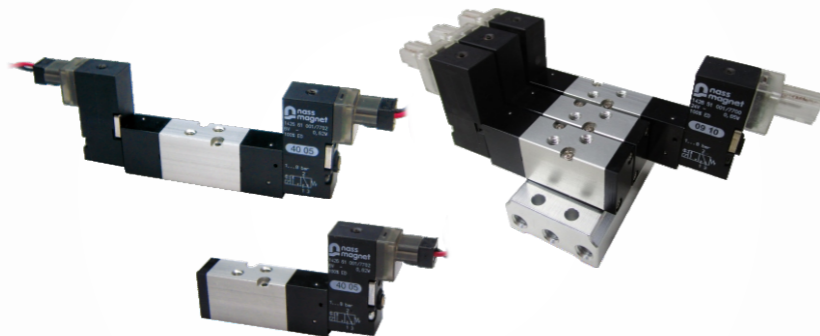


Features

- * Plug with standard JPC design (with LED) for coil, simple installation.
- * Miniature and Compact size, 10mm width, large flow rate.
- * Anodized aluminum body and strict quality control provide a long durability.
- * Quick acting, low starting pressure.
- * Low power consumption 0.65W.



How to order

PM521	A	F	-	M3	-	S	9	LED
10mm valves series	Valve type	Manifold		Port size	Solenoid	Voltage	LED	
5/2 way	A Body ported B Base mounted	Blank Standard (W/O manifold) F01 W/I single sub base (B type) Fxx xx stations manifold (B type) M02 2 stations manifold (A type) Mxx xx stations manifold (A type)			S Single solenoid D Double solenoid	6 6VDC 7 12VDC 9 24VDC	Blank (W/O LED)	

How to order manifold

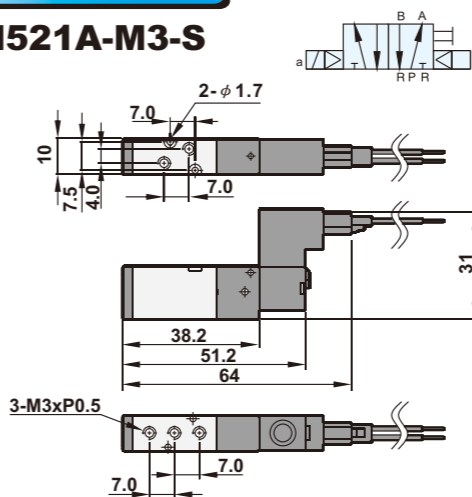
PM521	A	-	M5	02
10mm valves series	Manifold type		Port size	Stations
5/2 way	A For body ported valve B For base mounted valve			02 2 stations 03 3 stations XX XX stations

Specifications

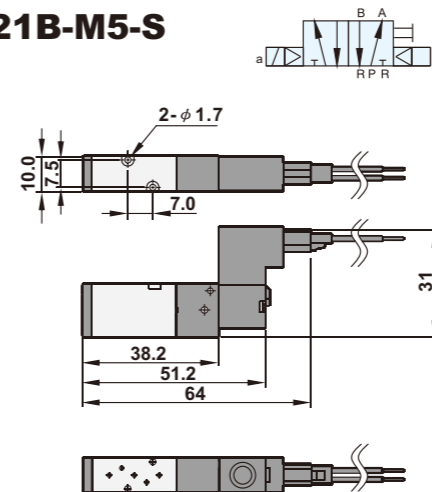
Model	PM521-M3-S	PM521-M3-D
Port size	M3/M5	
Body material	Aluminum alloy	
Fluid	Compressed air	
Effective area	1.0mm ²	
Acting	Internal pilot	
Operating pressure range	1.0 ~ 7 kgf/cm ²	
Cycle rate	500 cpm	
Proof pressure	8.0 kgf/cm ²	
Ambient temperature	-10°C ~ 60°C	
Duty cycle	100% ED	
Electrical connection	JPC plug connector	
Protection class	IP65(DIN 40 050)	
Insulation class	F	
Voltage tolerance	±10%	
Standard voltage	6VDC, 12VDC, 24VDC (The other voltage is optional)	
Net weight	35g	48g

Dimensions

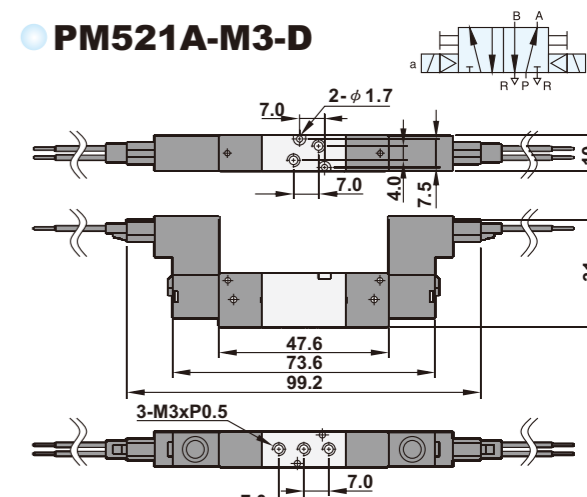
PM521A-M3-S



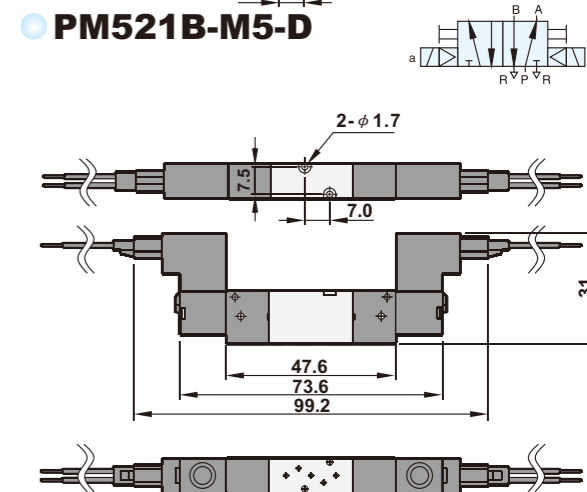
PM521B-M5-S



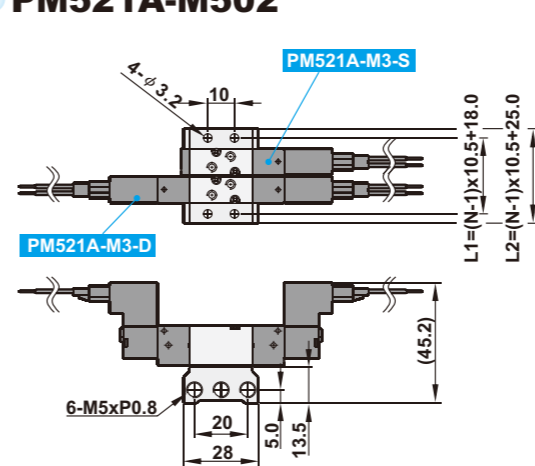
PM521A-M3-D



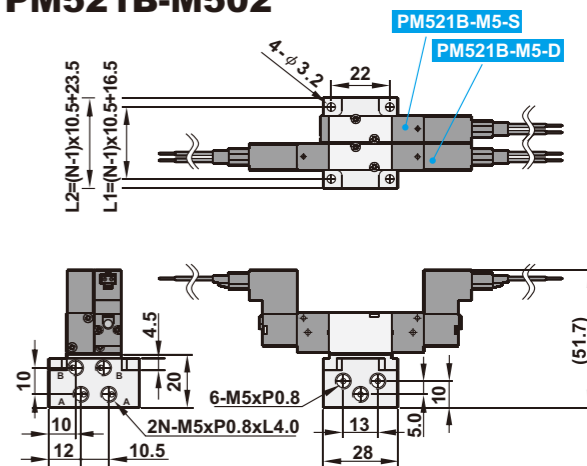
PM521B-M5-D



PM521A-M502



PM521B-M502



Number of station (N)	2	3	4	5	6	7	8	9	10
L1	28.5	39.0	49.5	60.0	70.5	81.0	91.5	102.0	112.5
L2	35.5	46.0	56.5	67.0	77.5	88.0	98.5	109.0	119.5