

### Features

- \*Quick acting agile response.
- \*Plug with standard JPC design (with LED).
- Built-in surge protection and nonpolarity design efficiently reduce possibility of short circuit.
- \*Low power consumption 0.8W.



### How to order

<b>VM5252</b>	-	<b>01</b>		<b>N</b>	-	<b>S</b>		<b>9</b>
5/2 way		Port size		Thread		Solenoid		Voltage
		01 1/8"		Blank G N NPT R Rc		S Single solenoid D Double solenoid		7 12VDC 9 24VDC

### How to order manifold

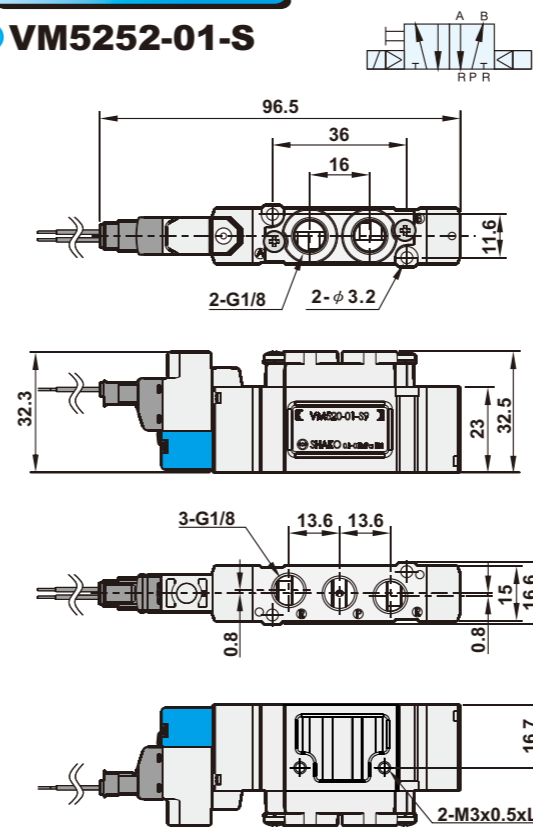
<b>VM5252M</b>	-	<b>01</b>		<b>N</b>		<b>02</b>
5/2 way		Port size		Thread		Stations
		01 1/8" (A & B Ports)		Blank G N NPT R Rc		02 2 stations 03 3 stations XX XX stations

### Specifications

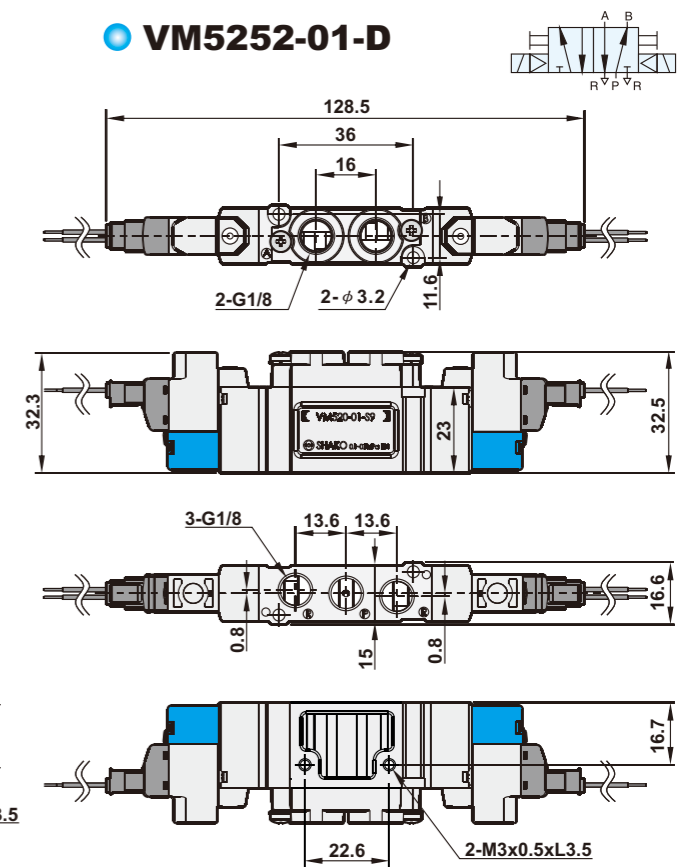
Model	VM5252-01-S	VM5252-01-D
Port size	1/8" (A & B Ports)	
Body material	Aluminum alloy	
Fluid	Compressed air	
Effective area	8.8mm <sup>2</sup>	
Acting	Internal pilot	
Operating pressure range	1.5 ~7 kgf/cm <sup>2</sup>	1 ~7 kgf/cm <sup>2</sup>
Cycle rate	5Hz	
Proof pressure	8.0 kgf/cm <sup>2</sup>	
Ambient temperature	-10°C ~ 50°C	
Duty cycle	100% ED	
Electrical connection	JPC plug connector	
Protection class	Dust proof	
Installation	Free direction	
Voltage tolerance	±10%	
Standard voltage(power)	12VDC, 24VDC(0.8W with LED)	
Net weight	72g	93g

### Dimensions

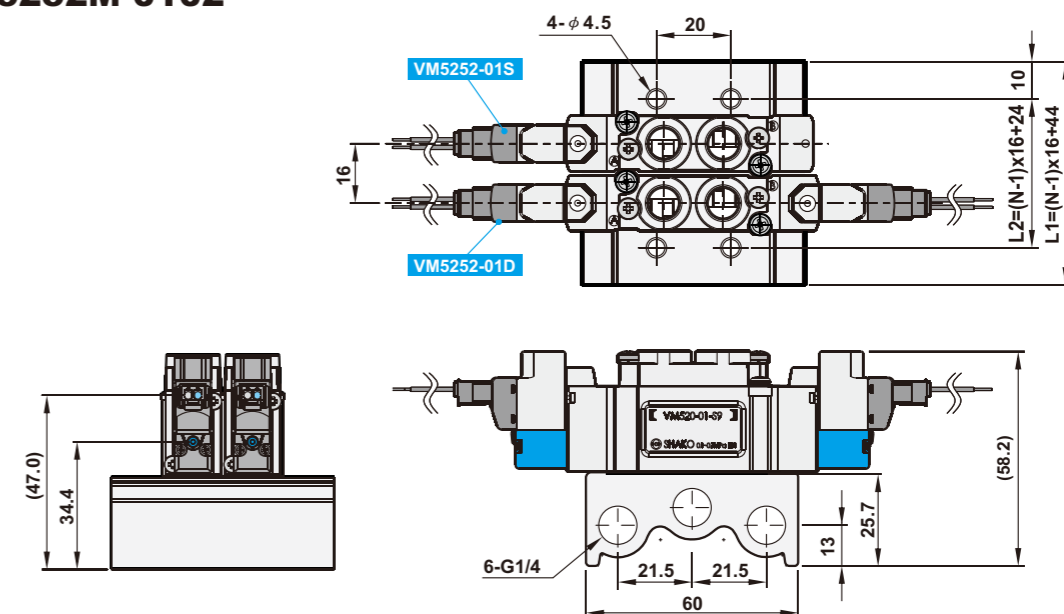
#### VM5252-01-S



#### VM5252-01-D



#### VM5252M-0102



Number of station (N)	2	3	4	5	6	7	8	9	10
L1	60	76	92	108	124	140	156	172	188
L2	40	56	72	88	104	120	136	152	168