

### Features

From medium to compact Size, variety of flow rate.  
 Manual override with lock design for easy operation.  
 Anodized aluminum body with special machining inner slot, low friction, strict quality control provides a long durability.  
 Coil nut is available, please refer to page 7-4.  
 Ex-proof coil is available, please refer to page 7-8.



### How to order

<b>BW520</b>	<b>X</b>	<b>02</b>	<b>N</b>	<b>S</b>	<b>2</b>	<b>LED</b>	<b>E1</b>
BW series	Acting style	Port size	Thread	Solenoid	Voltage	LED	Coil type
520 5/2 way 530 5/3 way	Blank Standard X Exhaust center Y Pressurized center	01 1/8" 02 1/4" 03 3/8"	Blank G N NPT R Rc	S Single solenoid D Double solenoid	1 110VAC 2 220VAC 9 24VDC	Blank (W/O LED)	For 1/8" Blank Lead wire D DIN  For 1/4" & 3/8" Blank DIN F Lead wire E1 EX-proof 22mm width E2 EX-proof 30mm width E3 EX-proof CSA standard

### How to order manifold

<b>BW520M</b>	<b>02</b>	<b>N</b>	<b>02</b>
BW series	Port size	Thread	Stations
	01 1/8" 02 1/4"	Blank G N NPT R Rc	02 2 stations 03 3 stations XX XX stations

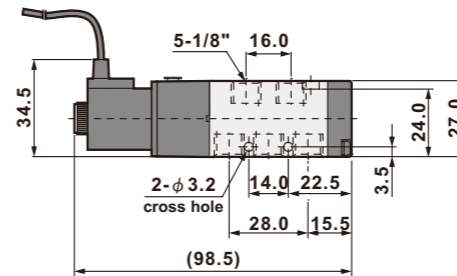
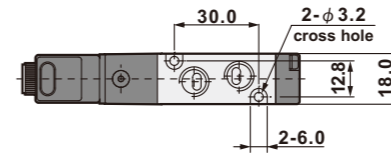
\* Please refer to page P7-8 for the details of ex-proof coil. ▲

### Specifications

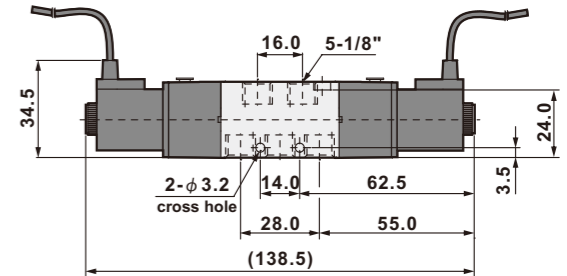
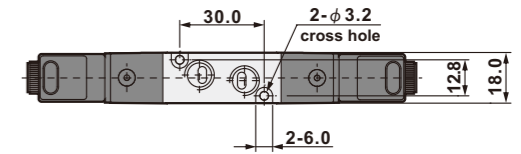
Model	BW520-01-S(D)	BW530-01-D	BW520-02-S(D)	BW530-02-D	BW520-03S(D)	BW530-03-D
Port size	1/8"		1/4"		3/8"	
Body material	Aluminum alloy					
Fluid	Compressed air					
Effective area	12mm <sup>2</sup>	9mm <sup>2</sup>	16mm <sup>2</sup>	12mm <sup>2</sup>	30mm <sup>2</sup>	18mm <sup>2</sup>
Acting	Internal pilot					
Operating pressure range	1.5~8 kgf/cm <sup>2</sup>					
Proof pressure	9.9 kgf/cm <sup>2</sup>					
Ambient temperature	-10℃ ~ 60℃					
Duty cycle	100% ED					
Coil type	DIN (Standard)					
Protection class	IP65 (DIN 40 050)					
Insulation class	F					
Voltage tolerance	±10%					
Standard voltage	220VAC, 110VAC, 24VDC (The other voltage is optional)					
Net weight	125g(195g)	215g	235g(335g)	445g	410g(500g)	700g

### Dimensions

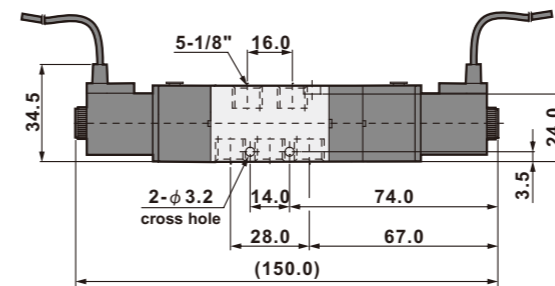
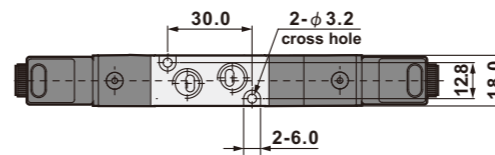
#### BW520-01-S



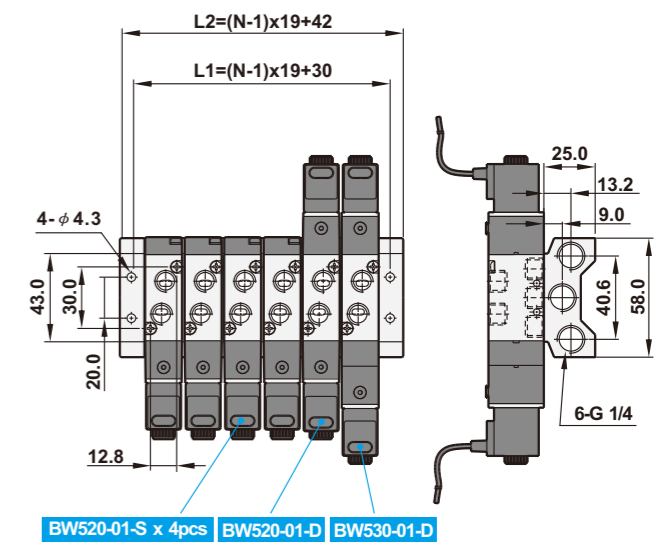
#### BW520-01-D



#### BW530(X)(Y)-01-D



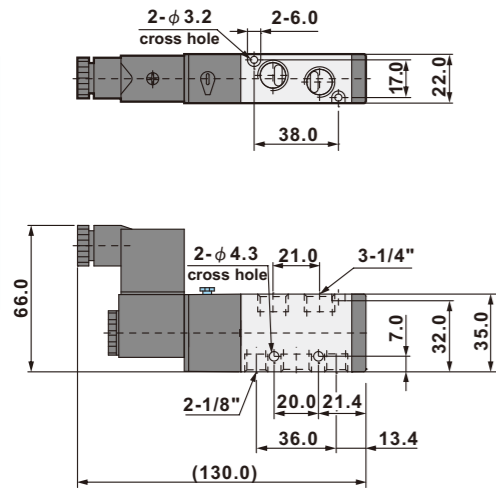
#### BM520M-0106



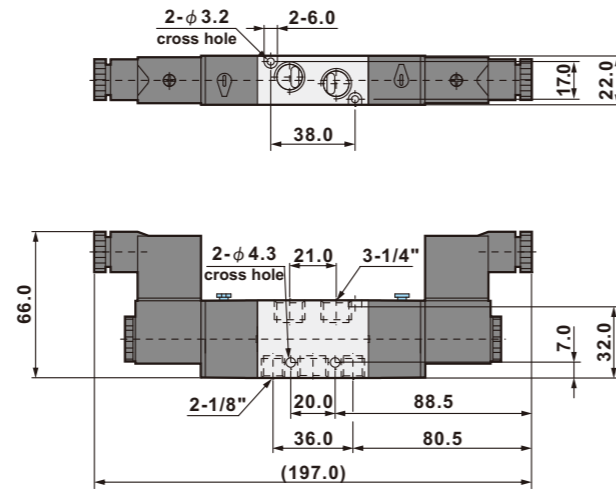
Number of station (N)	2	3	4	5	6	7	8	9	10
L1	49	68	87	106	125	144	163	181	201
L2	61	80	99	118	137	156	175	194	213

**Dimensions**

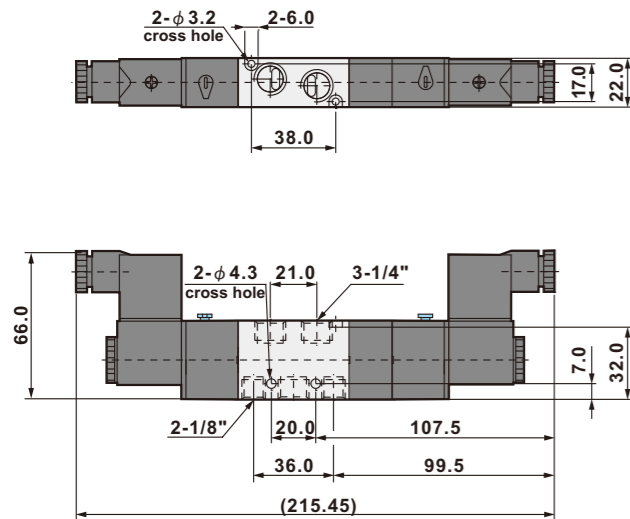
**BW520-02-S**



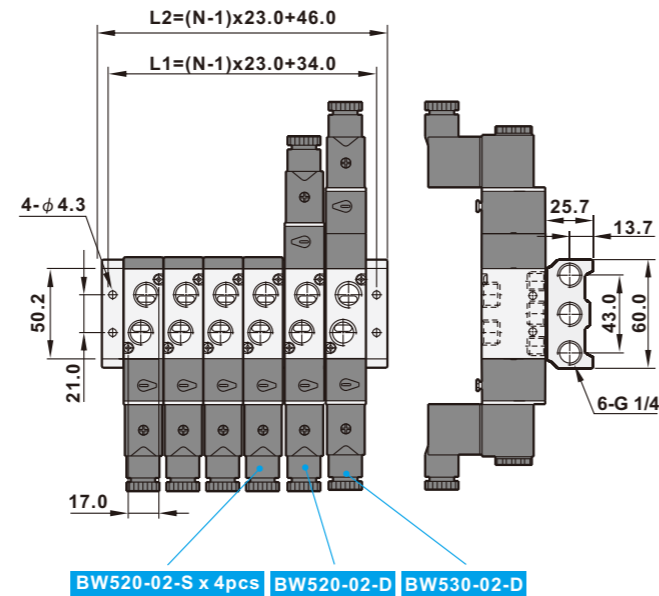
**BW520-02-D**



**BW530(X)(Y)-02-D**



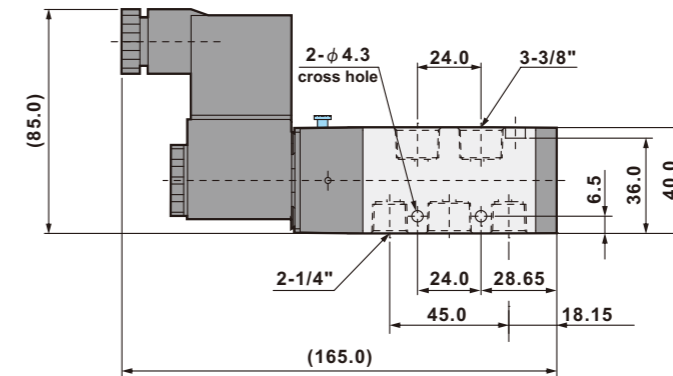
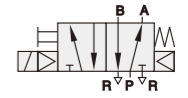
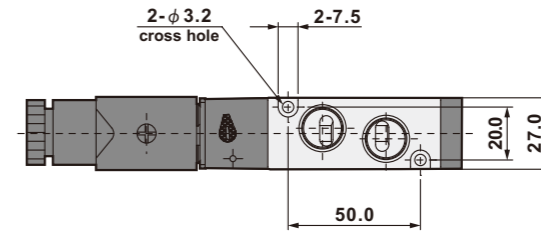
**BW520M-0206**



Number of station (N)	2	3	4	5	6	7	8	9	10
<b>L1</b>	57	80	103	126	149	172	195	218	241
<b>L2</b>	69	92	115	138	161	184	207	230	253

**Dimensions**

**BW520-03-S**



**BW520-03-D**

