

### Features

- \* Suitable for flammable working environments.
- \* The valve is actuated by air for accurate response.

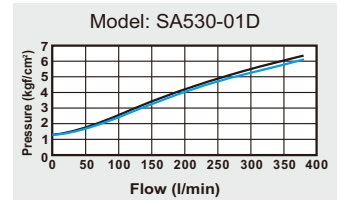
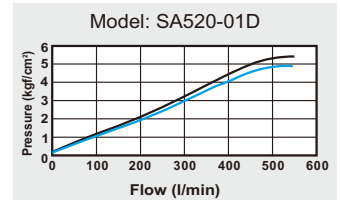
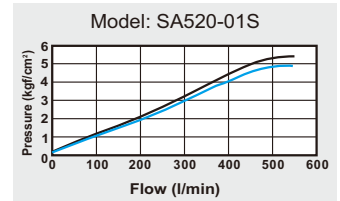


### How to order

**SA520**
**X**
**01**
**N**
**S**

SA pneumatic valves series		Acting style		Port size		Thread		Pneumatic control	
52	5/2 way	Blank	Standard	01	1/8"	Blank	G	S	Single pneumatic
53	5/3 way valve is only available for double pneumatic control	X	5/3 way Exhaust center			N	NPT	D	Double pneumatic
		Y	Pressurized center			R	Rc		

### Flow chart

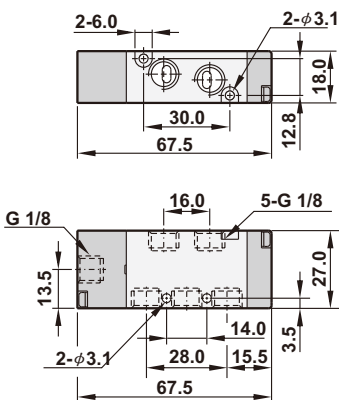


### Specifications

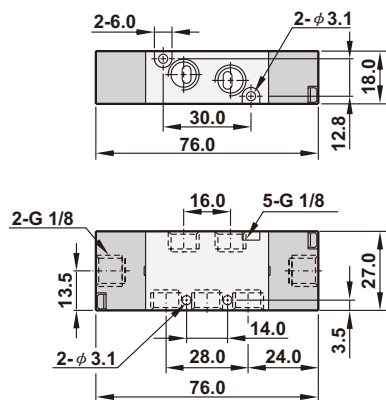
Model	SA520-01S	SA520-01D	SA530-01D
Port size	1/8"		
Body material	Aluminum alloy		
Sectional area	11mm <sup>2</sup>		9mm <sup>2</sup>
Fluid	Compressed air		
Acting	External pilot (1.5 ~ 7 kgf/cm <sup>2</sup> )		
Operating pressure range	0 ~ 8 kgf/cm <sup>2</sup>		
Proof pressure	9.99 kgf/cm <sup>2</sup>		
Ambient temperature	-10°C ~ 80°C		
Net weight	70g	75g	110g

### Dimensions

#### SA520-01S



#### SA520-01D



#### SA530(X)(Y)-01D

