

Brass series, Pilot acting

Features

- * Closing time delay 7 to 10 seconds to prevent water hammer.
- * Pilot acting for low starting pressure.
- * Large flow rate and high working pressure.
- * Stainless steel stem provides exceptional durability.
- * Ex-proof coil T4 as optional accessory.
- * Timer for setting on/off time as optional accessory.
- * Coil nut is available, please refer to page 7-6.



How to order

PU225

Brass 2/2 way pilot acting

W

Series

Water-hammer proof

06

Port size

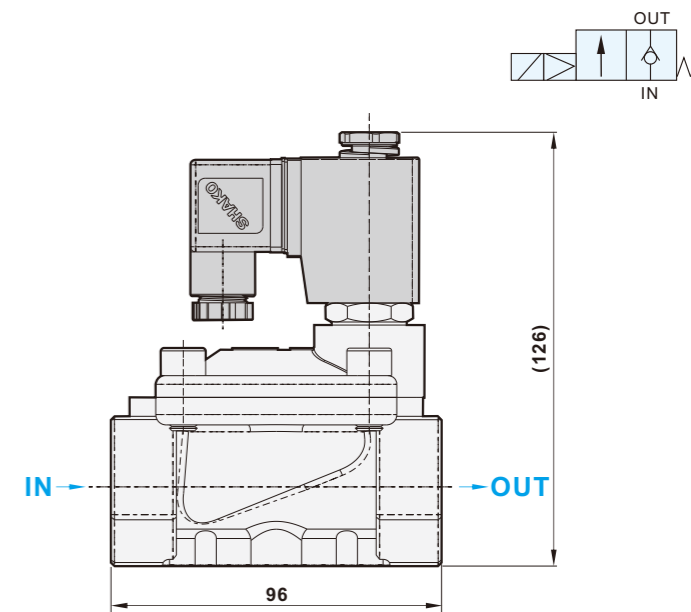
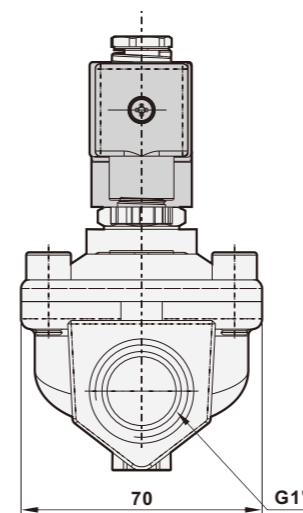
06	3/4"
08	1"

Specifications

Model	PU225W-06	PU225W-08
Port size	3/4"	1"
Fluid	Water	
A series orifice	25mm	
Sectional area	230mm ²	
Acting	Pilot acting	
Construction	Diaphragm	
Operating pressure range	0.5~10 kgf/cm ² (0.5 ~ 10.0Bar)	
Proof pressure	15 kgf/cm ² (15.0Bar)	
Body / Flange material	Forged Brass / SS41	
Fluid temperature	-10℃ ~ 90℃	
Ambient temperature	-10℃ ~ 60℃	
Installation	Horizontal	
Duty cycle	100% ED	
Coil type	DIN	
Protection class	IP65	
Insulation	F	
Voltage tolerance	±10%	
Standard voltage	220VAC, 110VAC, 24VDC	
Power consumption	Normally closed AC110V : 17.6VA, AC220V : 18.1VA, DC : 15W	
Net weight	1550g	

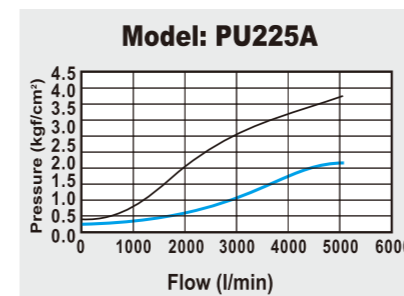
Dimensions

PU225A Standard type

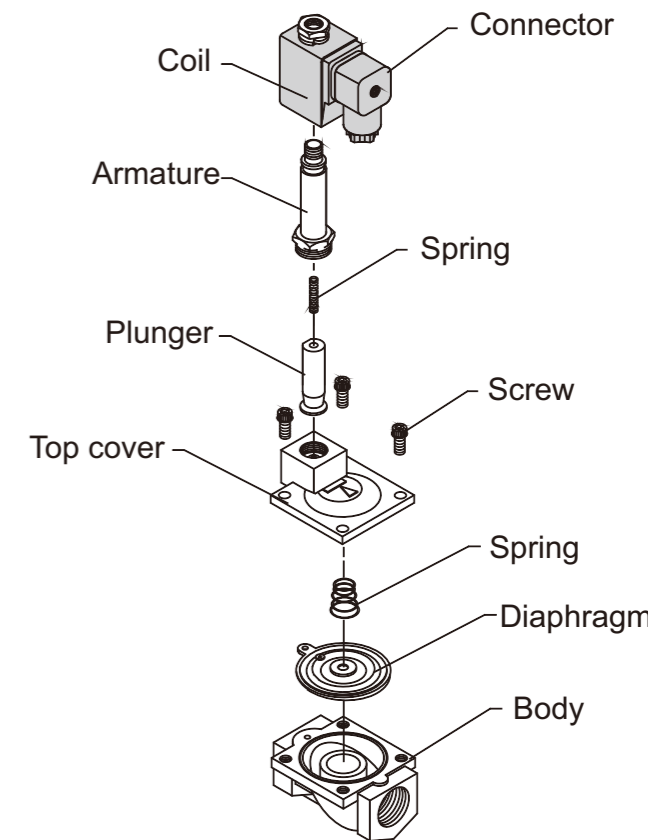


Flow chart

1" Pilot acting



Explosion



2/2 WAY SOLENOID VALVES

2/2 WAY SOLENOID VALVES