

### Features

- \* Specially for high pressure 0.5~50 bar.
- \* Large flow rate.
- \* Quick response.
- \* Ex-proof coil T4 as optional accessory.
- \* Timer for setting on/off time as optional accessory.
- \* Coil nut is available, please refer to page 7-6.



Patent number in Taiwan : M391595  
Patent number in US. : GB2480100

### How to order

※ For the flange type, please contact our sales.

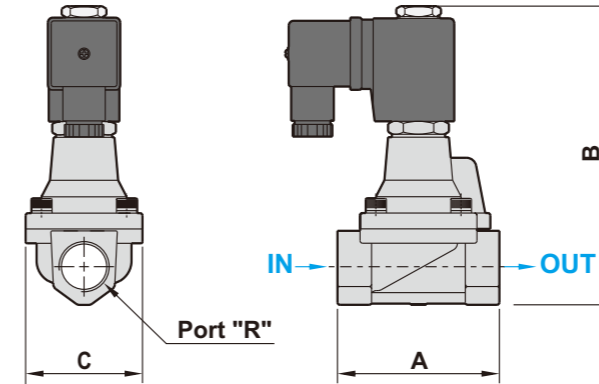
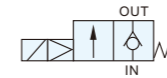
<b>PU225</b>	<b>X</b>	<b>03</b>	<b>N</b>	<b>S</b>	<b>1</b>	<b>LED</b>	<b>E</b>
Brass 2/2 way pilot acting	Series X High pressure	Port size	Thread	Solenoid	Voltage	LED	Ex-proof coil
		03 3/8"	Blank G		1 110VAC	Blank/W/O LED	
		04 1/2"	N NPT		2 220VAC		
		06 3/4"	R Rc		9 24VDC		
		08 1"					

### Specifications

Model	PU225X-03	PU225X-04	PU225X-06	PU225X-08
Port size	3/8"	1/2"	3/4"	1"
Fluid	Compressed air, water			
Orifice	13mm		25mm	
CV value	4.5		12	
Sectional area	88mm <sup>2</sup>		230mm <sup>2</sup>	
Acting	Pilot acting			
Construction	Piston			
Operating pressure range	0.5 ~ 50.0 kgf/cm <sup>2</sup> (0.5 ~ 50.0Bar)			
Proof pressure	76.5 kgf/cm <sup>2</sup> (75.0Bar)			
Body material	Forged Brass			
Piston ring	SUS 304			
Fluid temperature	-10°C ~ 90°C			
Ambient temperature	-10°C ~ 60°C			
Installation	Horizontal			
Duty cycle	100% ED			
Coil type	DIN			
Protection class	IP65 (DIN 40 050)			
Insulation class	F			
Voltage tolerance	±10%			
Standard voltage	220VAC, 110VAC, 24VDC The other voltage is optional			
Power consumption	AC110V:17.6VA, AC220C:18.1VA, DC: 15W			
Net weight	860g	840g	1800g	1750g

### Dimensions

#### PU225X Standard type



Model	PU225X-03	PU225X-04	PU225X-06	PU225X-08
R	3/8"	1/2"	3/4"	1"
A	66.5	66.5	100.0	100.0
B	106.5	106.5	126.5	126.5
C	48.0	48.0	70.0	70.0

(mm)

### Explosion

