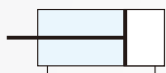


Symbol



Features

- * Hard anodized aluminum barrel provides corrosion and wear resistance as well as long life.
- * Compact size and space saving.
- * Strict quality control ensures the product in stability and excellent performance.
- * Simple maintenance and installation.



How to order

HC	10	B	5	SR	1
Type	Bore size	Magnet	Stroke	Sensor type	Number of sensor
HC Free mounted cylinder	10 ϕ 10 16 ϕ 16 20 ϕ 20 25 ϕ 25	C W/O magnet B W/I magnet	5 10 15 20	Blank W/O sensor SR Round type AL-07R SU Square type AL-16R	1 pc 2 pcs

* Please use stainless setting bolts for magnet type cylinder to mount.

Stroke table

Bore size	Acting	Stroke table (mm)
ϕ 10	Double acting	5, 10, 15, 20, 25, 30
ϕ 16		5, 10, 15, 20, 25, 30, 40, 50
ϕ 20		
ϕ 25		

* Please contact our sales for non-standard stroke.

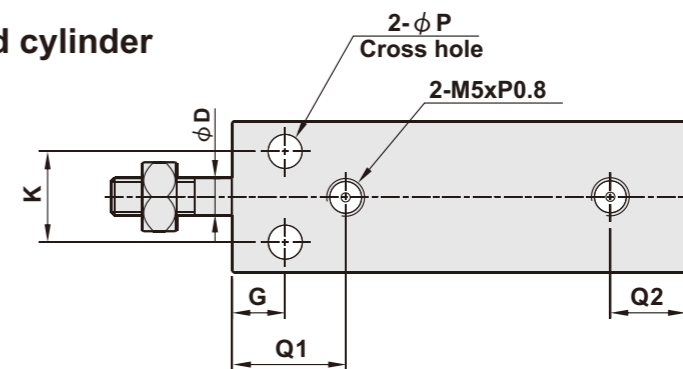
Specifications

Bore size	ϕ 10	ϕ 16	ϕ 20	ϕ 25
Port size	M5xP0.8			
Fluid	Compressed air			
Acting	Double acting			
Operating pressure range	1 ~ 8 kgf/cm ² (0.1~0.8MPa)			
Proof pressure	10 kgf/cm ² (1.0MPa)			
Barrel material	Aluminum alloy			
Cushion	Rubber			
Magnet	Option			
Ambient temperature	-5°C ~ 60°C			
Piston speed	50~700mm/sec			

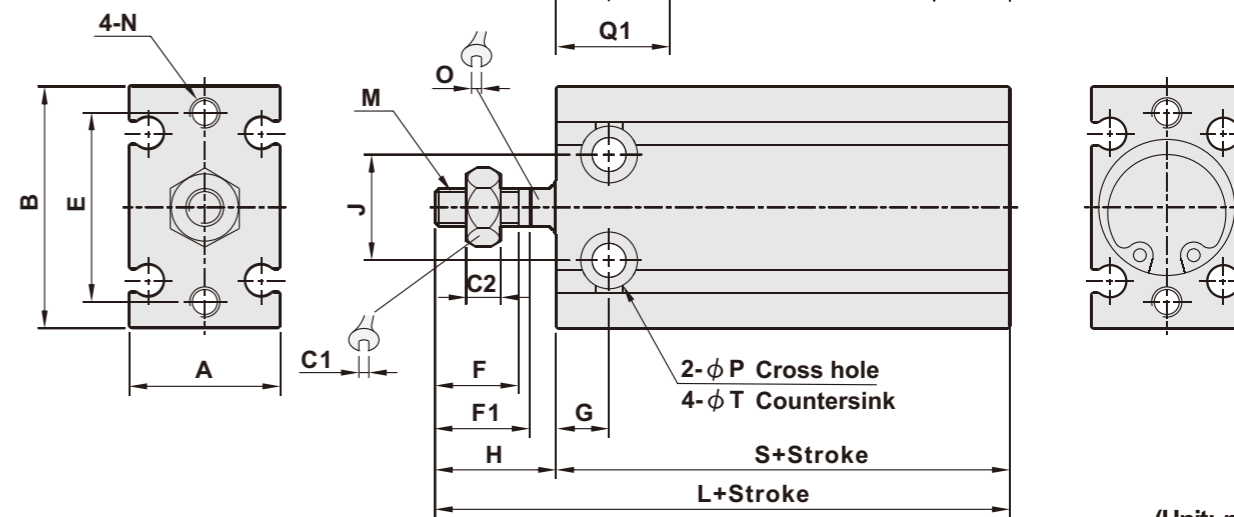
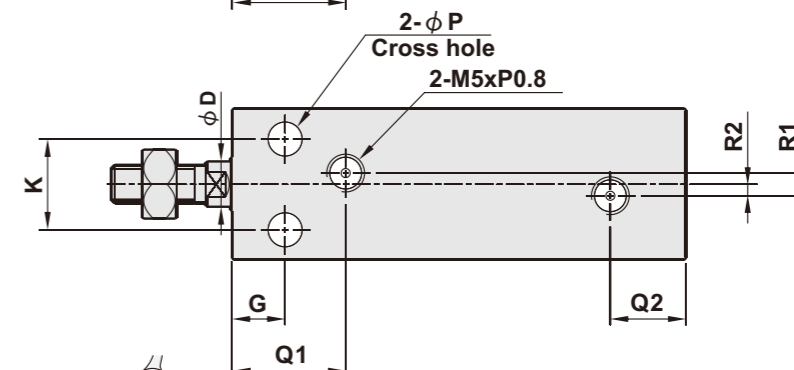
Dimensions

HC Free mounted cylinder

ϕ 10



ϕ 16, ϕ 20, ϕ 25



(Unit: mm)

Bore size	A	B	C1	C2	D	E	F	F1	G	H	J	K
ϕ 10	15	24	7	2.4	4	18	10	—	7	16	11	9
ϕ 16	20	32	8	4	6	25	11	12.5	7	16	14	12
ϕ 20	26	40	10	5	8	30	12	14	9	19	16	16
ϕ 25	32	50	13	5	10	38	15.5	18	10	23	20	20

Bore size	M	N	O	P	Q1	Q2	R1	R2	T	W/O magnet		W/I magnet	
										S	L	S	L
ϕ 10	M4xP0.7	M3xP0.5deep5.0	---	3.2	16.5	10	---	---	ϕ 6.0deep5	36	52	46	62
ϕ 16	M5xP0.8	M4xP0.7deep6.0	5	4.5	15.5	10.5	3	1.5	ϕ 7.5deep6.5	30	46	40	56
ϕ 20	M6xP1.0	M5xP0.8deep8.0	6	5.5	19	12.5	9	4.5	ϕ 9.3deep 8	36	55	46	65
ϕ 25	M8xP1.25	M5xP0.8deep8.0	8	5.5	21.5	13.5	9	4.5	ϕ 9.3deep6.5	40	63	50	73