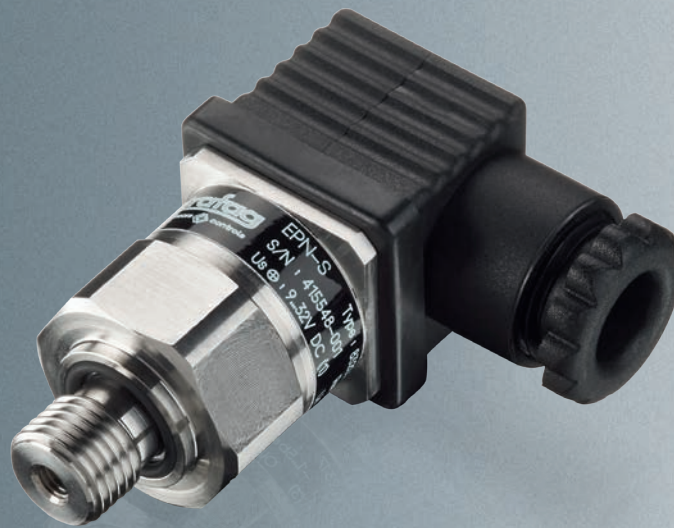


ELECTRONIC PRESSURE SWITCH EPN-S

- Rugged design for harsh environments
- Wide temperature range
- Excellent long-term stability
- Very compact design
- Switchpoint factory set or programmable on site with Trafag's Sensor Communicator SC



Sensor Communicator SC
www.trafag.com/H73699

Electronic Pressure Switch EPN-S 8320

Swiss based Trafag is a leading international supplier of high quality sensors and monitoring instruments for measurement of pressure and temperature. The Electronic Pressure Switch EPN-S is based on the well-proven EPN transmitter family. It stands for reliable accuracy over a wide temperature range and excellent long-term stability even in harsh environments in the shipbuilding and railway industry. The switchpoint is factory set or can be programmed on site using Trafag's Sensor Communicator SC.



Applications

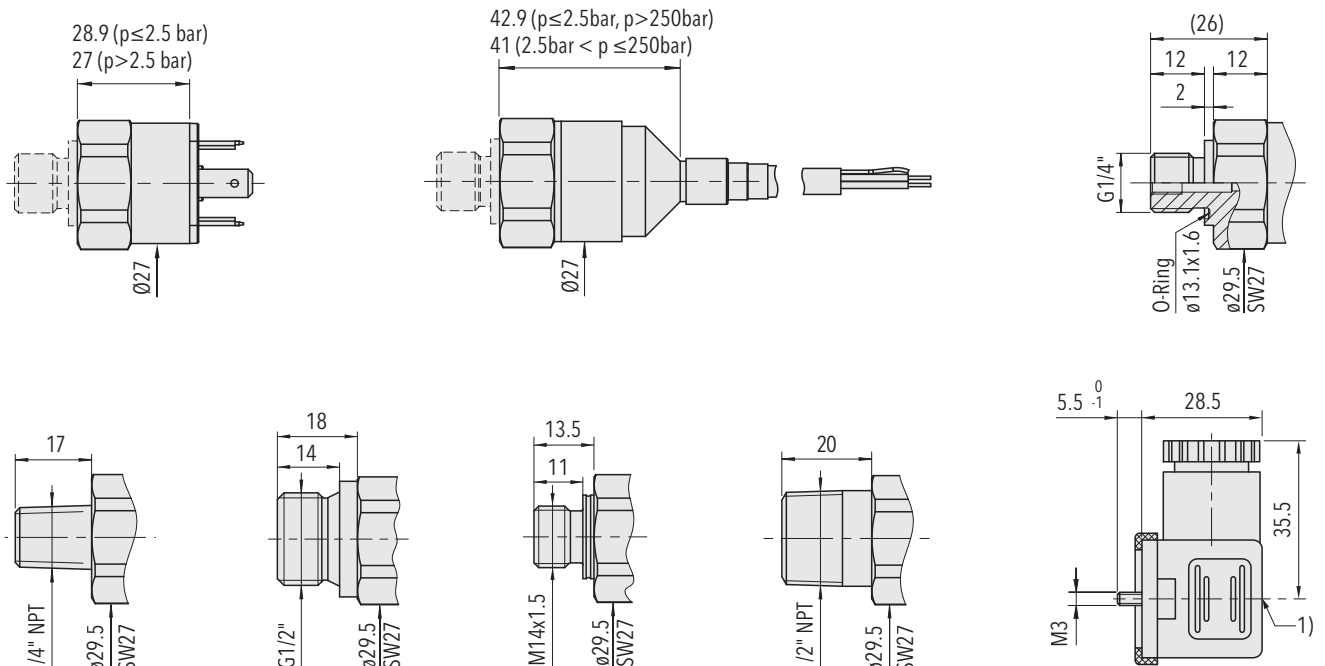
- Shipbuilding
- Engine manufacturing
- Railways
- Machine tools
- Hydraulics
- HVAC



Features

- Rugged design for harsh environments
- Wide temperature range
- Excellent long-term stability
- Very compact design
- Switchpoint factory set or programmable on site with Trafag's Sensor Communicator SC

Technical Data			
Measuring principle	Thin film on steel	Media temperature	-40°C ... +125°C
Measuring range	0 ... 2.5 to 0 ... 600 bar 0 ... 30 to 0 ... 7500 psi	Ambient temperature	Standard: -25°C ... +85°C Option accessory 67: -40°C ... +125°C
Output signal	Transistor (open source)	Approval / conformity	GL
Accuracy @ 25°C typ.	± 0.5 % FS typ. (Switchpoint)		



1) Tightening torque 50...60Ncm