

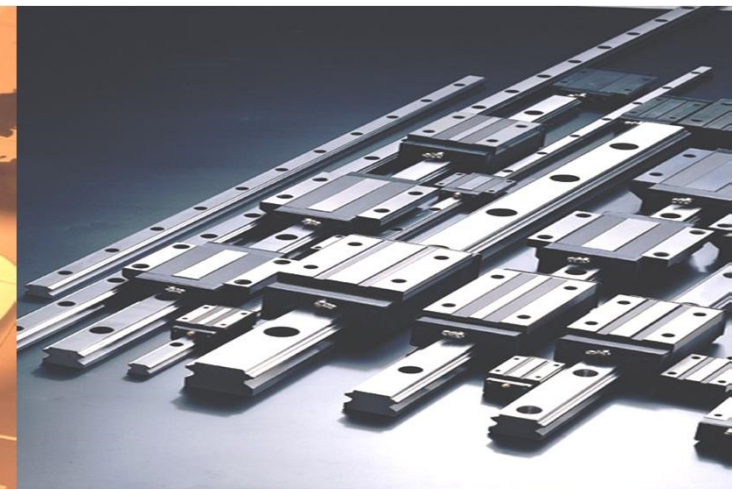
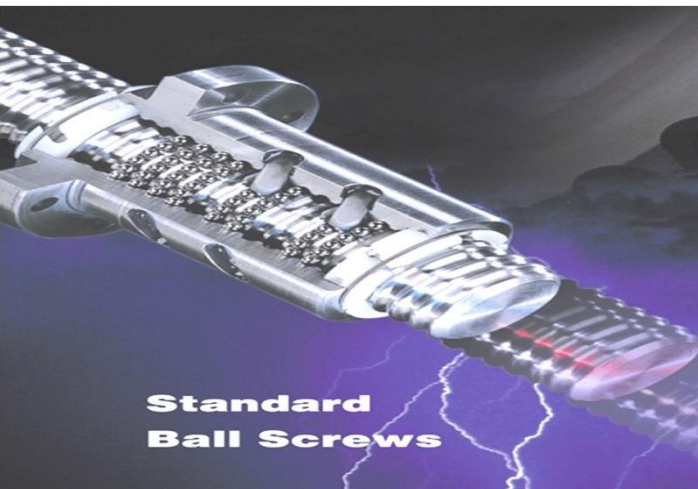


SBC Total Linear  
Motion Solution

- Linear Rail System
- Precision Ball Screw
- Robot Carrier Guide
- Cross Roller Guide
- Linear Motion System

[www.sbclinear.co.kr](http://www.sbclinear.co.kr)

**Linear Rail System**  
**SBC** **SBC LINEAR**  
**COMPANY PROFILE**



<b>1</b>	<b>Company Overview</b>	<b>03</b>
2	Product Overview	07
3	Facility Overview	12
4	Clients & Competitors Overview	17

## 1. 회사 개요 (Company Overview)

### 회사 개요 및 연혁 (Company Overview & History)

- Incorporated in 1989.
- Manufacture and sales of Linear Rail System, Ball screws and etc. (necessary parts of factory automation system) / Exporting to 35 countries
- 20 patents, 12 registered trademark, 4 production factories, a head office (Seoul) and 2 offices (Busan, Daegu), 150 employees

ITEM	INFORMATION
<b>Company</b>	SBC Linear Co., Ltd.
<b>Type of Business</b>	Manufacture and sales of Linear motion ball bearing and etc.
<b>Incorporated</b>	07 September 1989
<b>Production</b>	<ul style="list-style-type: none"> <li>• LM Guide</li> <li>• Ball Screw</li> <li>• Support Unit</li> <li>• Ball bushing (import)</li> </ul>
<b>Capital</b>	4.2 billion Korean won (500won/stock, total 8.4million stocks)
<b>Industrial property</b>	20 Patents, 1 utility model, 8 registered design, 12 registered trademark
<b>Employee</b>	150 (as of end of 2015)

YEAR	INFORMATION
<b>1989</b>	• Incorporated (Seon Yeoung Trade company)
<b>1993</b>	• Outset of development for Linear rail system
<b>1994</b>	• Completion of the production factory (in Gimpo)
<b>1995</b>	• SBC Registered trademark
<b>1997</b>	• Developed Linear rail system
<b>1999</b>	<ul style="list-style-type: none"> <li>• Patent registration of Linear rail system</li> <li>• "K-mark" certified by Korea Testing Laboratory</li> </ul>
<b>2001</b>	<ul style="list-style-type: none"> <li>• Changed the company name to SBC Linear Co., Ltd.</li> <li>• ISO9001 [ RWTUV ]</li> </ul>
<b>2002</b>	• Moved to new enlarged plant [in Gimpo ]
<b>2003</b>	• 'EM-mark' Certified / The 40 <sup>th</sup> export day award-5 Million Dollar Export
<b>2007</b>	• The 44 <sup>th</sup> export day award-10 Million Dollar Export
<b>2011</b>	• "RoHS" certified for Linear Rail System

## 1. 회사 개요 (Company Overview)

### ■ 사업장 개요 (Fabrication Facility Overview)

- Technology close to the level of German and Japan
- Self designed production lines to protect technology leakage

ITEM	INFORMATION	BUSINESS	REMARK
Head office	Yeongdeungpo-gu, Seoul, Korea	Management / Support	
New FACTORY	7, Cheomdansanup7ro, Daesowonmyeon, Chungju-City, Chung-Buk	Manufacturing	
	Due to expansion of business and growth of production, all three Kimpo factories moved to new factory which is located in Chonju-city from October 2016 to January 2017.	Land : 81,445.44 m <sup>2</sup> Building land : 68,264 m <sup>2</sup>	

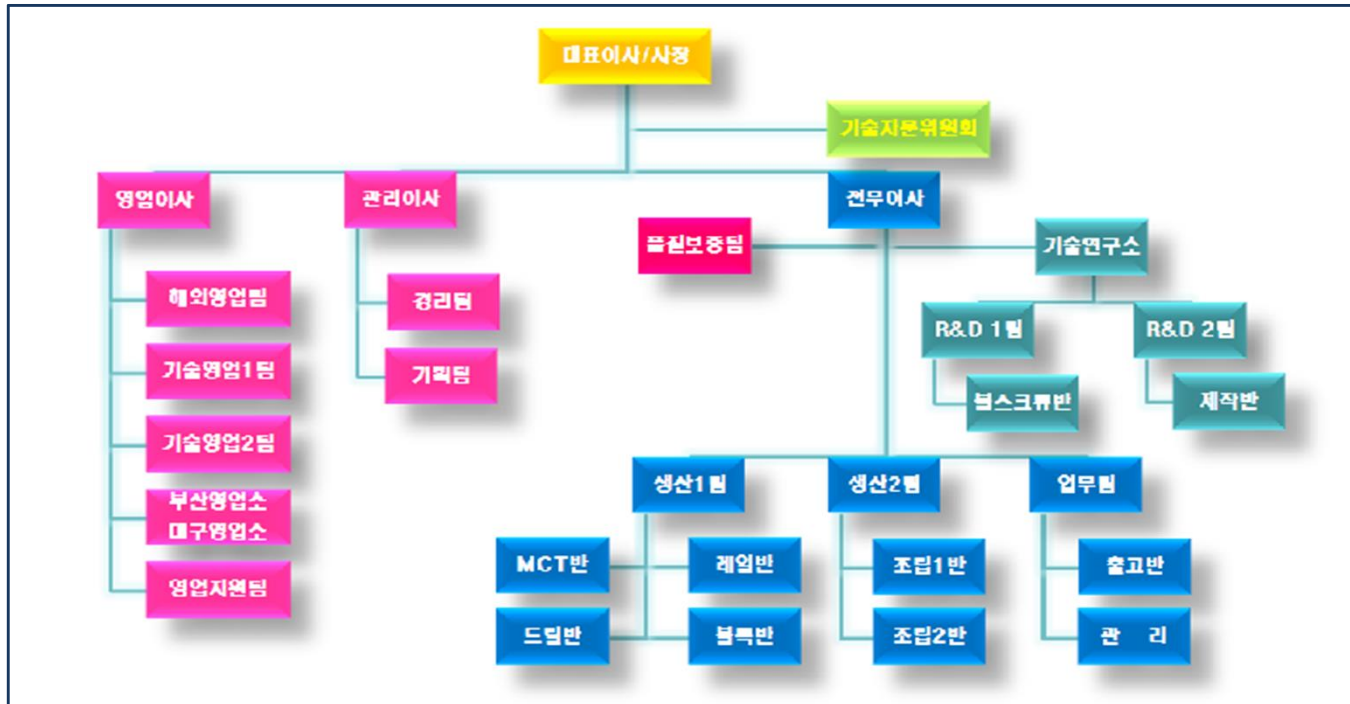


< New factory in Chungju-City >

## 1. 회사 개요 (Company Overview)

### Organization Chart & Man-power

- Company have 10 teams, 2 sales office(Busan, Daegu), technical committee and technical institute (2 teams)
- Total employee is 150 people('15.12) and board of director is 5 people include president and managing employee is 15 people and general employee is 130 people without union of labor



OCCUPATIONAL GROUP	
Classify	People
Managing	27
Sales	12
Research	5
Produce	103
General affair	3
<b>Total</b>	<b>150</b>

POSITIONAL GROUP	
Classify	People
President(*)	1
Board member(Director)**)	4
Managing employee(Manager)	15
Employee (deputy)	32
Ordinary employee	98
<b>계</b>	<b>150</b>

(\*) SBC had a professional CEO, but the current president, the founder of SBC, was installed as a president in December 2011.

(\*\*) Board director was installed in 2006 (joining SBC in 1998), Sales director (joining SBC in 1997) / Managing director (joining in 1997) / R&D technical director (joining in 2002) : These long work term shows that the employees has been well managed in the human resource system.

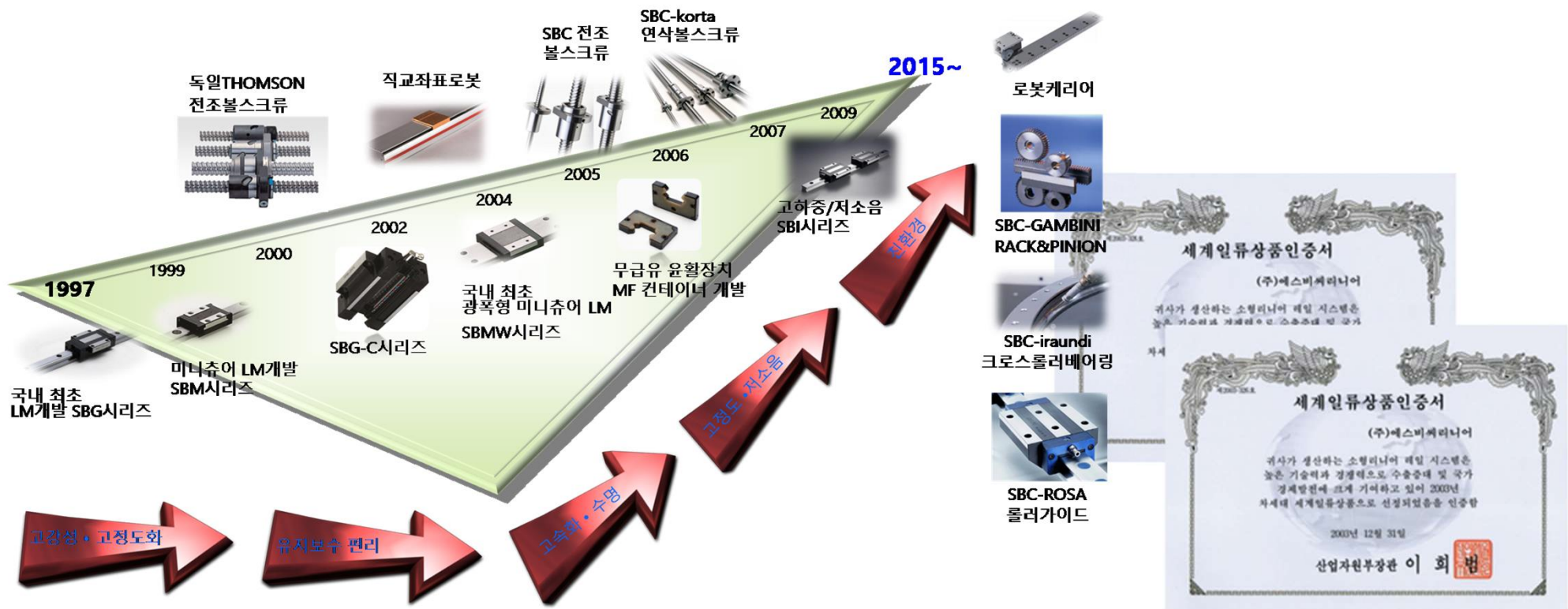
1	Company Overview	03
<b>2</b>	<b>Product Overview</b>	<b>07</b>
3	Facility Overview	12
4	Clients & Competitors Overview	17



## 2. 제품 개요 (Product Overview)

### Main Products & Goods

- SBC developed the linear rail system which is core components for factory automation as well as produce "precision ball screw" and "robot carrier guide" ( Patent possession / This technology is only available in 5 countries)



## 2. 제품 개요 (Product Overview)

### Main Products & Goods - LINEAR RAIL SYSTEM

NAME	INFORMATION	PRODUCT FORMATION	FEATURE
<b>LINEAR RAIL SYSTEM</b>	LINEAR RAIL SYSTEM, through the low-friction ball rolling motion, high-efficiency, linear motion bearings, linear motion as to Machine Tools, Automation Machines, LCD, semiconductor and other industries on the configuration of the linear motion guide system is an effective part	<ul style="list-style-type: none"> <li>• SBI heavy load, high rigidity linear rail system</li> <li>• SBG/SBS standard linear rail system</li> <li>• SPG/SPS low noise linear rail system</li> <li>• SBM, SBML, SBMW miniature linear rail system</li> </ul>	<ul style="list-style-type: none"> <li>• Heavy load, high rigidity</li> <li>• 4 ways equal load type</li> <li>• Self adjusting capability by DF structure</li> <li>• Variety additional options</li> </ul>





## 2. 제품 개요 (Product Overview)

### Main Products & Goods - High precision ball screw

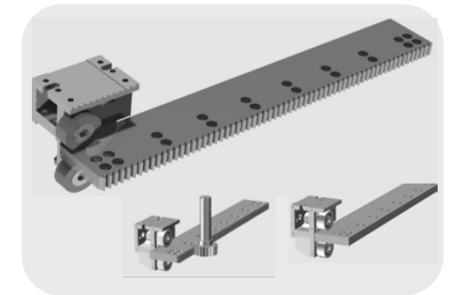
NAME	INFORMATION	PRODUCTS FORMATION	FEATURE
Precision ball screw	Ball screw nut and screw inserted in the groove between the helical structure using rolling motion of the rotation drive unit that converts the linear motion as to the precision of the positioning, heavy load, high rigidity, low energy efficiency as can yiled.	<ul style="list-style-type: none"> <li>• Rolled Ball Screw</li> <li>• SLK, STK MBS : Standard Rolled Ball screw (JIS standard)</li> <li>• SDK, SDH : DIN standard rolled ball screw</li> <li>• Grind ball screw</li> </ul>	<ul style="list-style-type: none"> <li>• 6~80mm diameter and variety load</li> <li>• Produce rolled ball screw P3, P5, T7 accuracy</li> <li>• Produce max 6 meter</li> <li>• Quality control under Europe DIN standard</li> </ul>



## 2. 제품 개요 (Product Overview)

### Main Products & Goods - Robot carrier guide and others

NAME	INFORMATION	APPLICATION
<b>ROBOT CARRIER GUIDE</b>	Uses a Flat Rail and Rack rail that easily mounts to guide and drive system	<ul style="list-style-type: none"> <li>• Carry for heavy load Robot</li> <li>• Carry for Automotive production Robot</li> <li>• High speed Carry line</li> <li>• High speed Gantry</li> </ul>



#### LINEAR BUSHING



Linear bushing systems are combination of ball bushing and LM shaft to perform infinite straight motion guiding

#### CROSS ROLLER GUIDE



Cross roller guides are mechanical bearing where a roller cage is assembled between two rail with "V" grooved raceway

#### LINEAR ACTUATOR



Linear rail systems and ball screw or linear motion system with timing belt



(주)에스비씨 리니어  
SBC SBC Linear Co., Ltd.



1	Company Overview	03
2	Product Overview	07
<b>3</b>	<b>Facility Overview</b>	<b>12</b>
4	Clients & Competitors Overview	17

## 3. 설비 개요 (Facility Overview)

### Main Facilities - Rail Twin Head Drilling M/C

NAME	Rail Twin Head Drilling M/C
INFORMATION	<ul style="list-style-type: none"><li>• Machine the mounting holes on the rail</li></ul>
FEATURE	<ul style="list-style-type: none"><li>• Increase the productivity with 4 more counter axis and drill axis than general device</li><li>• Machine two rails at one time</li></ul>

- Product : #15~#65 Rail

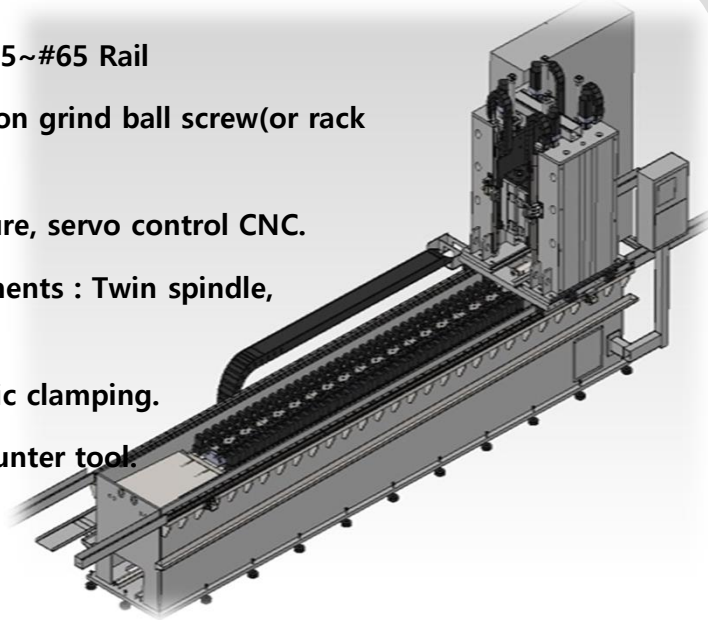
High precision grind ball screw(or rack & pinion)

&LM structure, servo control CNC.

- SBC components : Twin spindle, support etc.

- Rail hydraulic clamping.

- SBC drill/counter tool.



## 3. 설비 개요 (Facility Overview)

### Main Facilities - Rail Heating Treatment M/C

NAME	Rail Heating Treatment M/C
INFORMATION	<ul style="list-style-type: none"><li>• Hardened the rail raceway with heat for durability</li></ul>
FEATURE	<ul style="list-style-type: none"><li>• Automatic load and unload system</li></ul>





## 3. 설비 개요 (Facility Overview)

### Main Facilities - Rail Profile Grinding M/C

NAME	Rail Profile Grinding M/C
INFORMATION	<ul style="list-style-type: none"> <li>Grinding the raceway of rail for high precision rail produce</li> </ul>
FEATURE	<ul style="list-style-type: none"> <li>Grind the raceway of rail with one time clamping</li> </ul>

#### - Products ; #15~#65 Rail

High precision grind ball screw & LM structure, servo control CNC.

#### - SBC standard components.

Wheel(Ø510,Ø610) spindle,

Dresser spindle, support etc.

#### -Rail special jig.

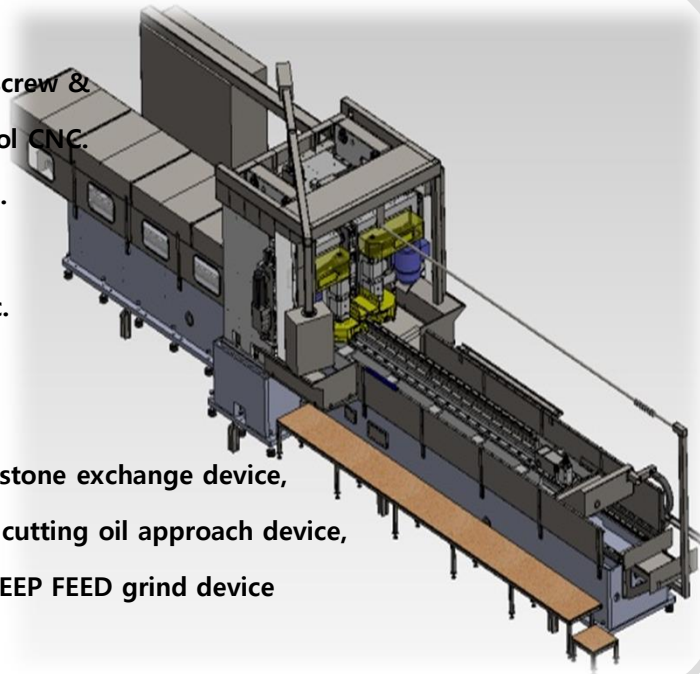
\* special specification \*

:Stone spindle 3 axis, easy stone exchange device,

,rail clamp magnetic chuck, cutting oil approach device,

,control axil with SCALE, CREEP FEED grind device

, automatic load & feed



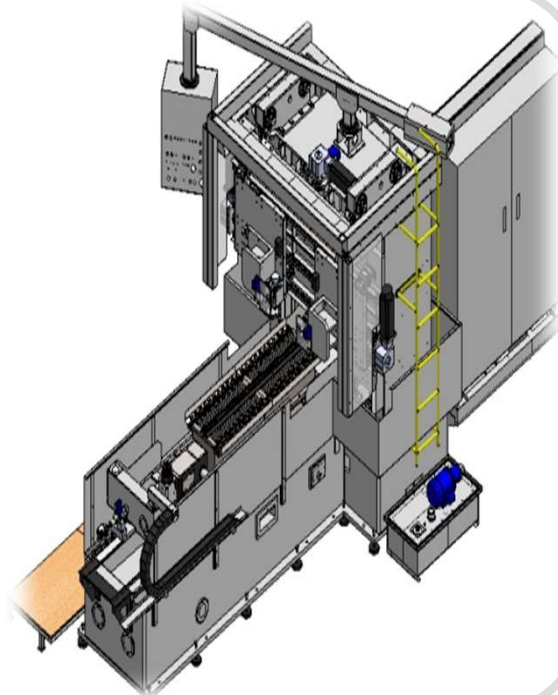


## 3. 설비 개요 (Facility Overview)

### Main Facilities - Block Profile Grinding M/C

NAME	Block Profile Grinding M/C
INFORMATION	<ul style="list-style-type: none"><li>Grinding the raceway of block for high precision block produce</li></ul>
FEATURE	<ul style="list-style-type: none"><li>Grind the raceway of block with one time clamping</li></ul>

- Products ; #15~#65 block
- High precision grinding ball screw (OR hydrostatic) & LM structure, servo control CNC.
- SBC standard components ; high frequency(20,000~50,000r pm) spindle, dresser spindle, support etc.
- Block air clamp jig.



1	회사 개요 (Company Overview)	03
2	제품 개요 (Product Overview)	07
3	설비 개요 (Clients & Competitors Overview)	12
<b>4</b>	<b>Clients &amp; Competitors Overview</b>	<b>17</b>

## 4. 거래처와 경쟁사 개요 (Clients & Competitors Overview)

### ■ Clients

- Purchase the raw material from Iljinsteel and manufacture the products and supply the product to 100 companies in domestic and 35 countries with 50 business partners
- Have business partner with SAMSUNG, HYUNDAI-KIA, LG, DOOSAN, KUMHOTIRE and other companies etc .

#### □ Domestic Sales Network

Agent		MAJOR BUSINESS PARTNER
Location	Numbers	
SEOUL	4	<ul style="list-style-type: none"> <li>• SAMSUNG ELECTRONIC, SAMSUNG TECHWIN, SAMSUNG ELECTRO-MECHANIC (SAMSUNG GROUP),</li> <li>• HYUNDAI AUTOMOTIVE, KIA AUTOMOTIVE (HYUNDAI-KIA GROUP),</li> <li>• HYUNDAI HEAVY INDUSTRY, HYUNDAI WIA,</li> <li>• LG DISPLAY, LSIS (LG GROUP)</li> <li>• DOOSAN INFRACORE(DOOSAN GROUP),</li> <li>• WOJIN SELEX(WOJIN GROUP),</li> <li>• LS MTRON(LS GROUP),</li> <li>• KUMTO TIRE, STX</li> </ul>
KYUNGGI	5	
CHUNGCHONG	1	
KYUNGSANG	5	
JEOLLA	2	

#### □ Oversea Sales Network

EUROPE	ASIA and Middle EAST	AMERICA and Oceania
<ul style="list-style-type: none"> <li>• FRANCE, GERMANY, ITALY, SWISS, SWEDEN, DENMARK, HUNGARY, SPAIN, POLAND, RUSSIA, UKRAINE, TURKEY, BELARUS, AUSTRIA, SOUTH AFRICA</li> </ul>	<ul style="list-style-type: none"> <li>• CHINA, JAPAN, SINGAPORE, INDIA, TAIWAN, THAILAND, ISRAEL, EGYPT</li> </ul>	<ul style="list-style-type: none"> <li>• USA, CANADA, BRAZIL, COLOMBIA, AUSTRALIA, NEW ZEALAND</li> </ul>
※ About 35 countries		

## 4. 거래처와 경쟁사 개요 (Clients & Competitors Overview)

### Domestic Major Clients



- **Samsung electronic [Semi-conduct]**
  - Wafer cassette equipment ...
- **Samsung Techwin**
  - Wire bonder, Chip mounter...
- **Samsung electronic-mechanic**
  - PCB Inspection, PCB drilling ...
- **Samsung electronic [LCD]**
  - Light refraction angle checking machine ...
  - PROJECT : T5 / T7 / T8
  - HP / CP equipment ...



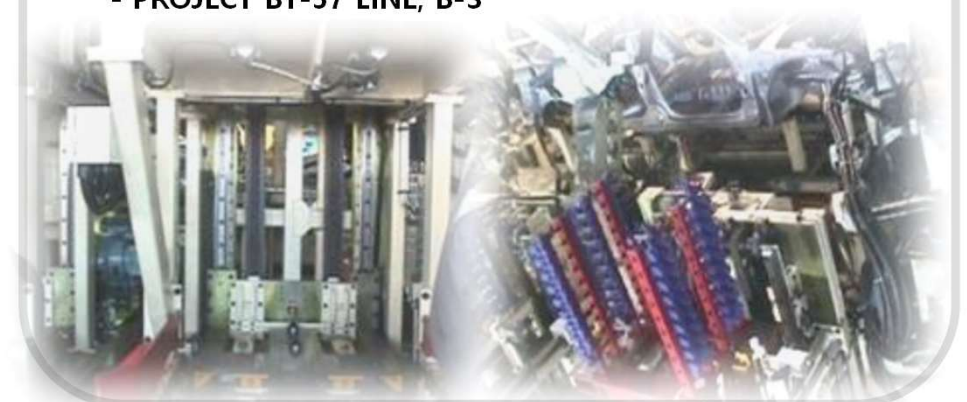
HYUNDAI



KIA MOTORS



- **Hyundai Automotive**
  - PROJECT LC-1, SR, SM, FO, XD, SIDE MIRROR
- **Kia Automotive**
  - PROJECT BT-57 LINE, B-3

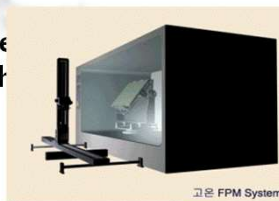


## 4. 거래처와 경쟁사 개요 (Clients & Competitors Overview)

### Domestic Major Clients



- **LG Display**
  - HP / CP equipment
  - LCD/PDP cleaner equipment
  - Mono comp equipment [In line system]
  - Light refraction angle checking machine
  - BLU equipment ...
  - PROJECT : P5 / P7 / P8
- **LG electronic**
  - ESN code input equipment...

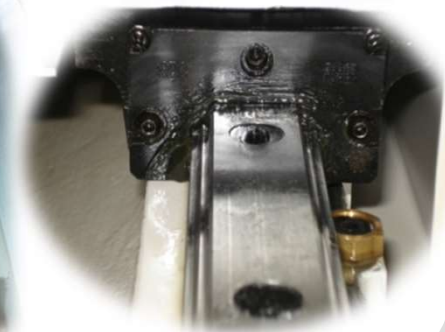
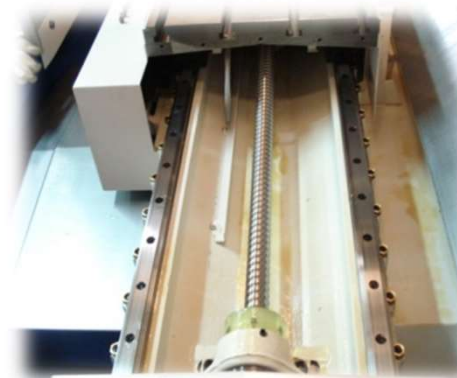


Doosan Infracore



Doosan Infracore

- **DOOSAN INFRACORE**
  - MACHINING CENTER [MCT]





## 4. 거래처와 경쟁사 개요 (Clients & Competitors Overview)

### Domestic Major Clients



- 현대중공업
- LM robot  
[self-transporting line, Automation facilities and etc]





## 4. 거래처와 경쟁사 개요 (Clients & Competitors Overview)

### Overseas Major Clients

- Purchase the raw material from IJinsteel and manufacture the products and supply the product to 100 companies in domestic and 35 countries with 50 business partners.
- Have business partner with GE MEDICAL CARE , Mitsubishi heavy industry and other companies etc through overseas agent.



- Mitsubishi Heavy Industriy  
– printing maching



[ Hitachi  
Medical Corporation ]



HONDA



TOYOTA

## 4. 거래처와 경쟁사 개요 (Clients & Competitors Overview)

### Overseas Major Clients



- Machining center



- Machining center



- transfer



ESAB CUTTING SYSTEMS



- Plasma cutting
- Oxy-cutting
- Laser cutting



## 4. 거래처와 경쟁사 개요 (Clients & Competitors Overview)

### Overseas Major Clients



•Zeller Automatik  
- GRINDING M/C



Daetwyler  
Graphics



- Polishing machine



ZIMMERMANN  
PORTAL MILLING MACHINES

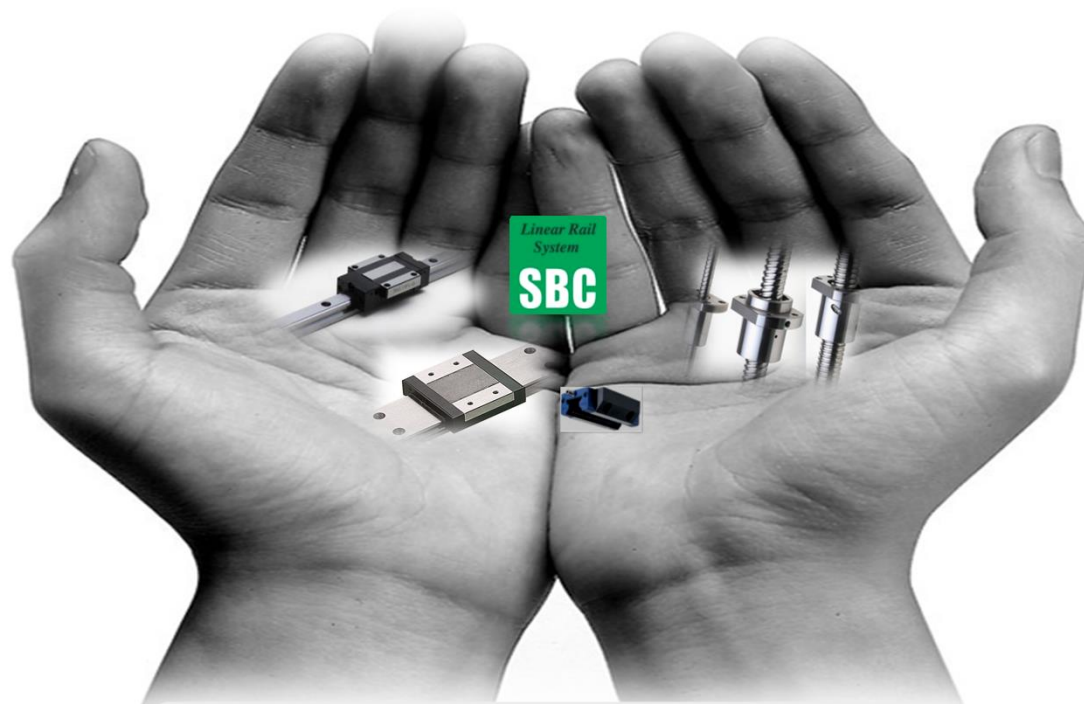
- Milling M/C



TORNOS

- LATHE





**THANK YOU**

**THANK YOU**