

YUE QING HEYI ELECTRICAL CO.,LTD

ADD:ShangYanHou Village,LiuShi Town,YueQing City,ZheJiang,CHINA

TEL:86-577-62659558

FAX:86-577-62659558

contact :Mrs Bethy

E-mail:heyi@heyielectrical.com

Web:www.transformerfactory.com



KCT Series



KCT range of split core current transformers have been specifically designed to be mini size which implement the installation of small space, clamp-on design could be easily fit around cables without breaking the circuit. An internal precision resistor across the secondary winding of the CT provides a low safe voltage output.

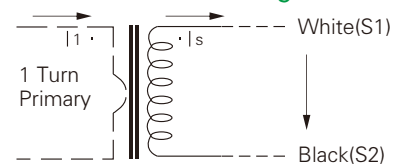
Features

- The structure of the self-locking, safe, easy to install, portable
- Wide inner window, allowing clamping of big cables or bus-bars
- Wide range of sizes to accommodate all the existing installations
- Isolated plastic case recognized according to UL94-V0
- Wires plugs, Audio plugs, Power plugs and so on five kinds of plugs

Applications

- Current measurement, monitoring and protection for electrical wiring and equipment.
- Current and power measurement for electric motors, lighting, air compressor, heating and ventilation system, air-condition equipment and automation-control system.
- Current, power and energy monitoring device.
- Relay protection device.

Circuit connection diagram



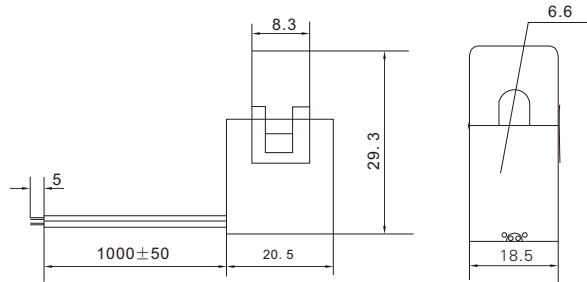
Technique Index

Electrical Parameter	
Frequency	50-2KHz
Rated Input	5A-630A
Measuring range	10%In-120%In
Rated Output	0.333V(AC)or 0-500mA
Ratio	± 1.0%
Phase angle	± 60min
Dielectric strength	2.5KV/1mA/1min
Insulation Resistance	DC500V/100MΩ min

Electrical Parameter	
Case	PA / UL94-V0
Bobbin	PBT
Core	Silicon steel
Internal structure	Epoxy
Construction	Tie
Operating Temp	-25°C~75°C
Operating Humidity	≤85%
Output Connection	UI1015 20AWG Wire(twinsted wire)2.5m

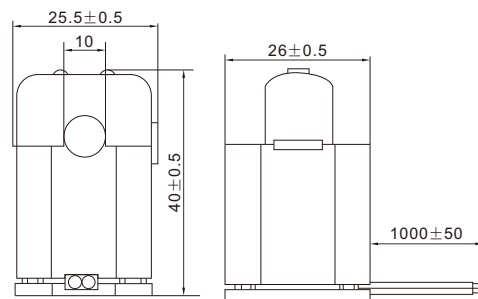
KCT Series

KCT-6



MODEL	KCT-6		
Current Ratio	5A/2.5mA	10A/5mA	20A/10mA
Primary Current(A)	5A	10A	20A
Max. Current(A)	30A	30A	30A
Output	2.5mA	5mA	10mA
Load Resistance(Ω)	200Ω	100Ω	50Ω
Class	0.5/1.0	0.5/1.0	0.5/1.0
Turns Ratio	2000:1	2000:1	2000:1
Protection Level	7.5V0-P	7.5V0-P	7.5V0-P
Insulation Category	CAT III		
Operating Condition	-20°C ~ +50°C, ≤85%RH, No condensation, IN-house&Any direction installable		
Storage Condition	-30°C ~ +50°C, ≤85%RH, No condensation		

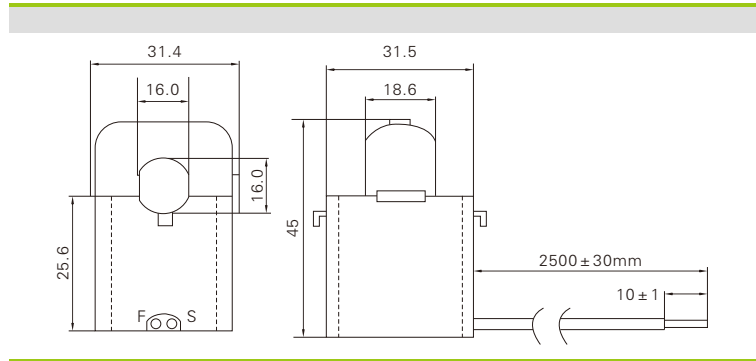
KCT-10



MODEL	KCT-10				
Current Ratio	5A/2.5mA	20A/10mA	60A/20mA	75A/25mA	1~75A/0.333V
Primary Current(A)	5A	20A	50A	75A	1~75A
Max. Current(A)	60A	60A	75A	75A	1~75A
Output	2.5mA	10mA	25mA	25mA	333mV
Load Resistance(Ω)	400Ω	100Ω	50Ω	20Ω	/
Class	0.5/1.0	0.5/1.0	0.5/1.0	0.5/1.0	0.5/1.0
Turns Ratio	2000:1	2000:1	3000:1	3000:1	/
Protection Level	7.5V0-P	7.5V0-P	7.5V0-P	7.5V0-P	
Insulation Category	CAT III				
Operating Condition	-20°C ~ +50°C, ≤85%RH, No condensation, IN-house&Any direction installable				
Storage Condition	-30°C ~ +50°C, ≤85%RH, No condensation				

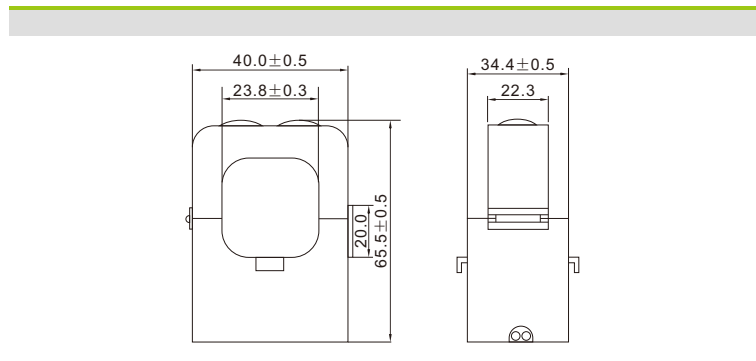
KCT Series

KCT-16



MODEL	KCT-16				
Current Ratio	100A/33.3mA	100A/40mA	120A/40mA	200A/66.7mA	100~200A/0.333V
Primary Current(A)	100A	100A	120A	200A	100~200A
Max. Current(A)	120A	120A	120A	240A	/
Output	33.3mA	40mA	40mA	66.7mA	333mV
Load Resistance(Ω)	50Ω	50Ω	50Ω	50Ω	/
Class	0.5/1.0	0.5/1.0	0.5/1.0	0.5/1.0	0.5/1.0
Turns Ratio	3000:1	2500:1	3000:1	3000:1	/
Protection Level	7.5V0-P	7.5V0-P	7.5V0-P	7.5V0-P	
Insulation Category	CAT III				
Operating Condition	-20°C ~ +50°C, ≤85%RH, No condensation, IN-house&Any direction installable				
Storage Condition	-30°C ~ +50°C, ≤85%RH, No condensation				

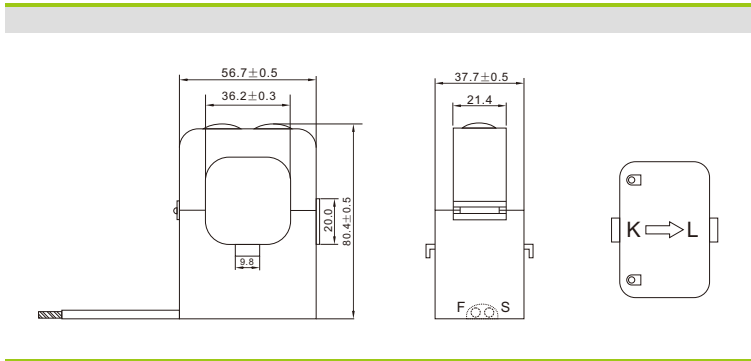
KCT-24



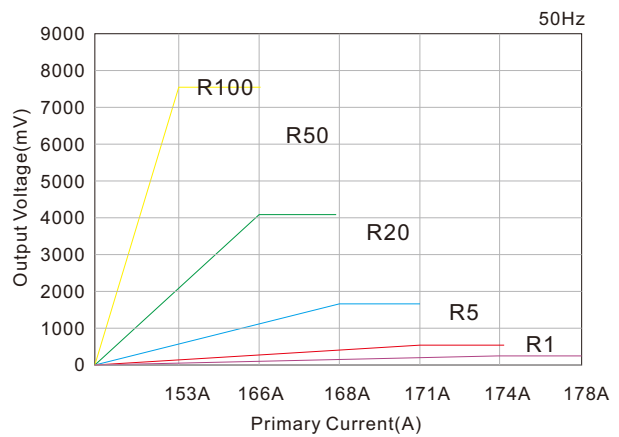
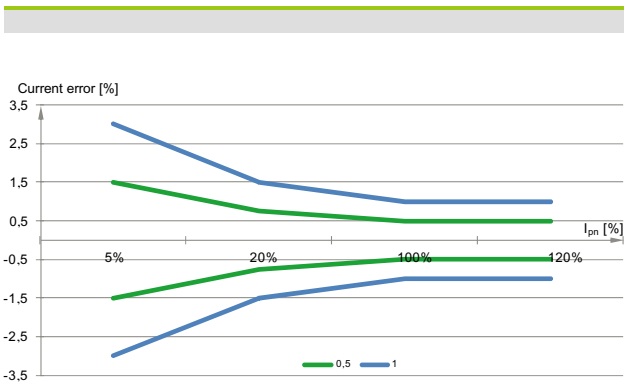
MODEL	KCT-24				
Current Ratio	100A/40mA	200A/40mA	200A/66.7mA	400A/80mA	100~400A/0.333V
Primary Current(A)	100A	200A	200A	400A	100~400A
Max. Current(A)	150A	240A	240A	480A	480A
Output	40mA	40mA	66.7mA	80mA	333mV
Load Resistance(Ω)	50Ω	50Ω	50Ω	50Ω	/
Class	0.5/1.0	0.5/1.0	0.5/1.0	0.5/1.0	0.5/1.0
Turns Ratio	2500:1	5000:1	3000:1	5000:1	/
Protection Level	7.5V0-P	7.5V0-P	7.5V0-P	7.5V0-P	
Insulation Category	CAT III				
Operating Condition	-20°C ~ +50°C, ≤85%RH, No condensation, IN-house&Any direction installable				
Storage Condition	-30°C ~ +50°C, ≤85%RH, No condensation				

KCT Series

KCT-36



MODEL	KCT-36				
Current Ratio	300A/100mA	400A/40mA	500A/50mA	600A/60mA	300~600A/0.333V
Primary Current(A)	300A	400A	400A	600A	300A~600A
Max. Current(A)	360A	480A	600A	720A	720A
Secondary Current(mA)	100mA	40mA	50mA	60mA	333mV
Load Resistance(Ω)	50 Ω	50 Ω	50 Ω	50 Ω	/
Class	0.5/1.0	0.5/1.0	0.5/1.0	0.5/1.0	0.5/1.0
Turns Ratio	3000:1	10000:1	10000:1	10000:1	/
Protection Level	7.5V0-P	7.5V0-P	7.5V0-P	7.5V0-P	
Insulation Category	CAT III				
Operating Condition	-20°C ~ +50°C, ≤85% RH, No condensation, IN-house & Any direction installable				
Storage Condition	-30°C ~ +50°C, ≤85% RH, No condensation				



KCT24