

## Universal Incremental Counter

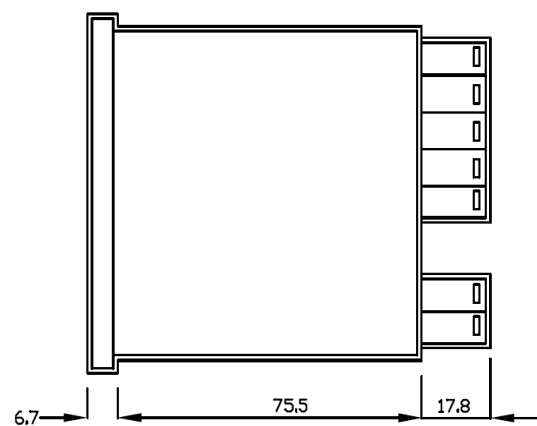
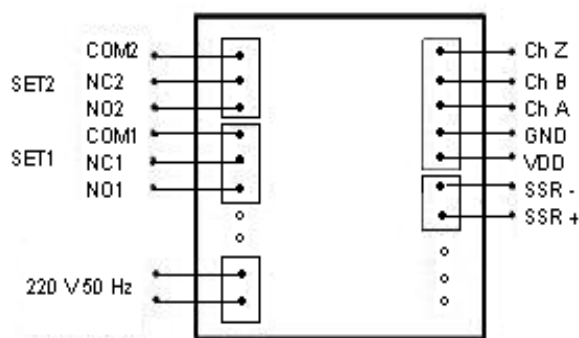


### Main Applications

General automation applications, for position and angle measurement.  
(For OPKON MRI, MLI, MLIP, MLC)

### Specifications

- Microprocessor based
- Counts A/ B/ Z 200KHz max
- TTL/ totempole/ open collector input
- 2 x Set points / 2 Relay outputs/ 230V, 8A 1NO + 1 NC
- 6+6 Digits led display
- Software calibration
- External reset
- Eeprom memory
- 220V, 50Hz, 4VA / 24V, 50Hz, 4VA Supply
- ABS Plastic body
- Mechanical dimensions 72x72 mm
- Panel cut dimensions 67x67mm



OP-CN4

B

220

Model

B : Black

220 V

or

24 V