

**Absolute Encoder with Voltage Output**



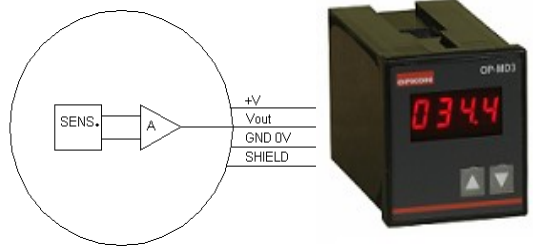
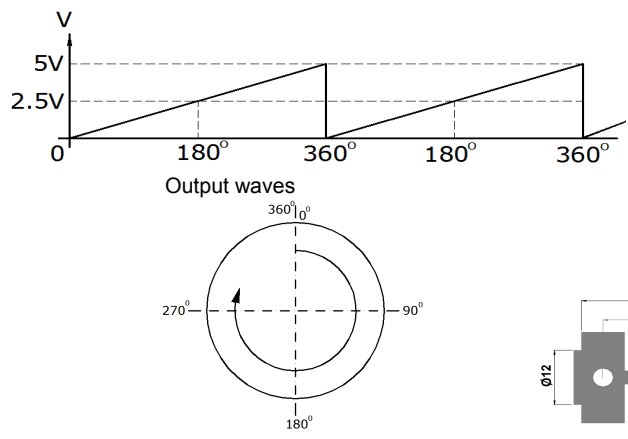
- Ø 50mm
- Magnetic rotary encoder
- 5 V/ 360° (Standard)  
5 V/ 45°, 90°, 180° or 3.3 V / 45°, 90°, 180°, 360° (Optional)
- Can be used as contactless potentiometer

**Main Applications**

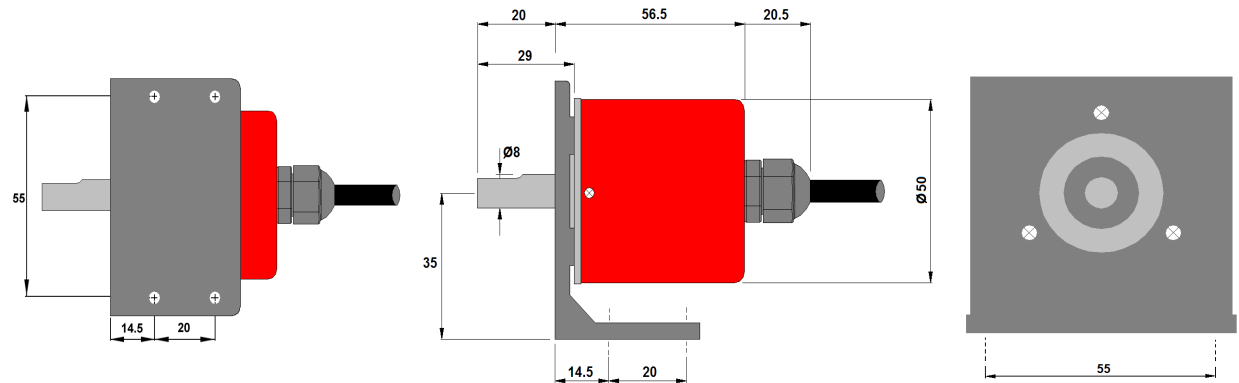
Position/ Angle Measurement Applications for Automation Systems

**Specifications**

Measurement type	Magnetic absolute
Resolution	5V/360°(Standard) 5V/45°,90°,180°
Output signal	Voltage
Output signal type	Voltage output
Supply voltage	8–24 VDC (Standard) or 5 VDC (Optional)
Case diameter	Ø 50mm
Rod diameter	Ø 8mm
Case material	Aluminium/ steel
Rod material	Stainless steel
Max. speed	1000 rpm
Working temperature	-20.....+80 °C
Electrical connection	2.5m Cable (Standard) or Connector (Optional)
Water resistance	Optional



OP-MD3 or OP-MD4 connection



**Ordering Procedure / An Order Sample**

MRV	50	ANL	5V/360°	VO	24V	2.5 m
Model	Case diameter 50mm	Output type ANL = Analog	Resolution 5 V / 360° (Standard) 5V/45°,90°,180°	Output signal VO=Voltage output	Supply voltage 8-24 VDC or 5 VDC	Cable length 2.5 meter or Connector

\_\_\_\_\_