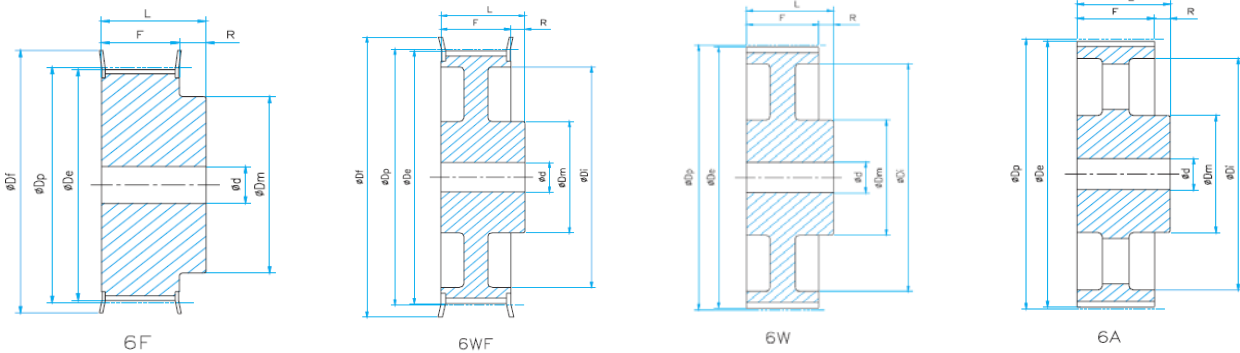


Timing Pulley HTD 8M-20

8mm Pitch



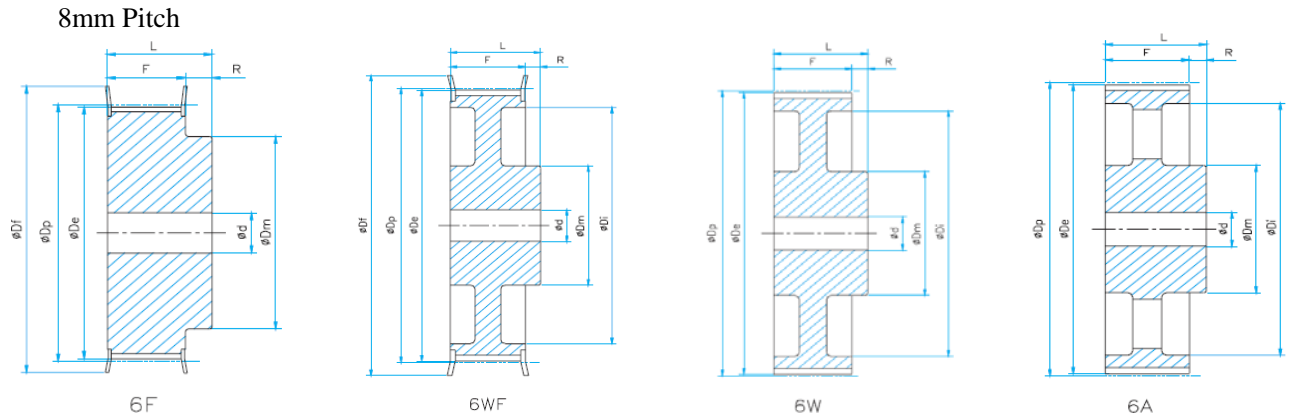
Part No.	Teeth No.	Config.	Material	Dp	De	Df	Hub Dia. Dm	Di	Width F	Length L	Bore d	Flange Dimension
22-8M-20	22	6F	STEEL	56.02	54.65	60	43	-	28	38	12	60.0x47.0x1.5
24-8M-20	24	6F		61.12	59.75	66	45	-	28	38	12	66.0x52.0x1.5
26-8M-20	26	6F		66.21	64.84	70	48	-	28	38	12	70.0x53.0x1.5
28-8M-20	28	6F		71.30	69.93	75	50	-	28	38	15	75.0x60.0x1.5
30-8M-20	30	6F		76.39	75.02	83	55	-	28	38	15	83.0x68.0x1.5
32-8M-20	32	6F		81.49	80.12	87	60	-	28	38	15	87.0x72.0x1.5
34-8M-20	34	6F		86.58	85.22	91	70	-	28	38	15	91.0x73.0x1.5
36-8M-20	36	6F		91.67	90.30	97	75	-	28	38	15	97.0x79.0x1.5
38-8M-20	38	6F		96.77	95.39	102	75	-	28	38	15	102.0x82.5x1.5
40-8M-20	40	6F		101.86	100.49	106	75	-	28	38	15	106.0x90.0x1.5
44-8M-20	44	6F		112.05	110.67	120	75	-	28	38	15	120.0x99.5x1.5
48-8M-20	48	6F		122.23	120.86	128	75	-	28	38	15	128.0x107.0x1.5
56-8M-20	56	6WF		142.60	141.23	150	80	116	28	38	15	150.0x130.0x1.5
64-8M-20	64	6WF		162.97	161.60	168	80	137	28	38	15	168.0x148.0x1.5
72-8M-20	72	6WF	183.35	181.97	192	80	158	28	38	15	192.0x173.0x1.5	
80-8M-20	80	6W	CAST IRON	203.72	202.35	-	90	180	28	38	15	-
90-8M-20	90	6A		229.18	227.81	-	90	204	28	38	15	-
112-8M-20	112	6A		285.21	283.83	-	90	254	28	38	18	-
144-8M-20	144	6A		366.69	365.32	-	90	336	28	38	20	-
168-8M-20	168	6A		427.81	426.44	-	100	400	28	38	20	-
192-8M-20	192	6A		488.92	487.55	-	100	460	28	38	20	-

Note:

*All dimensions are mm

- 1, Setscrew hole available with request; finished bore with keyway & setscrews available with request;
- 2, Center hole provided if there is no bore size listed;
- 3, Flange dimension: O.D.x I.D.x Thickness.

Timing Pulley HTD 8M-30



Part No.	Teeth No.	Config.	Material	Dp	De	Df	Hub Dia. Dm	Di	Width F	Length L	Bore d	Flange Dimension
22-8M-30	22	6F	STEEL	56.02	54.65	60	43	-	38	48	12	60.0x47.0x1.5
24-8M-30	24	6F		61.12	59.75	66	45	-	38	48	12	66.0x52.0x1.5
26-8M-30	26	6F		66.21	64.84	70	48	-	38	48	12	70.0x53.0x1.5
28-8M-30	28	6F		71.30	69.93	75	50	-	38	48	15	75.0x60.0x1.5
30-8M-30	30	6F		76.39	75.02	83	55	-	38	48	15	83.0x68.0x1.5
32-8M-30	32	6F		81.49	80.12	87	60	-	38	48	15	87.0x72.0x1.5
34-8M-30	34	6F		86.58	85.22	91	70	-	38	48	15	91.0x73.0x1.5
36-8M-30	36	6F		91.67	90.30	97	75	-	38	48	15	97.0x79.0x1.5
38-8M-30	38	6F		96.77	95.39	102	75	-	38	48	15	102.0x82.5x1.5
40-8M-30	40	6F		101.86	100.49	106	75	-	38	48	15	106.0x90.0x1.5
44-8M-30	44	6F		112.05	110.67	120	75	-	38	48	15	120.0x99.5x1.5
48-8M-30	48	6F		122.23	120.86	128	75	-	38	48	15	128.0x107.0x1.5
56-8M-30	56	6WF		142.60	141.23	150	90	116	38	48	15	150.0x130.0x1.5
64-8M-30	64	6WF	162.97	161.60	168	90	137	38	48	15	168.0x148.0x1.5	
72-8M-30	72	6WF	183.35	181.97	192	95	158	38	48	15	192.0x173.0x1.5	
80-8M-30	80	6W	CAST IRON	203.72	202.35	-	100	180	38	48	15	-
90-8M-30	90	6A		229.18	227.81	-	100	204	38	48	15	-
112-8M-30	112	6A		285.21	283.83	-	100	254	38	48	18	-
144-8M-30	144	6A		366.69	365.32	-	100	336	38	48	20	-
168-8M-30	168	6A		427.81	426.44	-	100	400	38	48	20	-
192-8M-30	192	6A		488.92	487.55	-	100	460	38	48	20	-

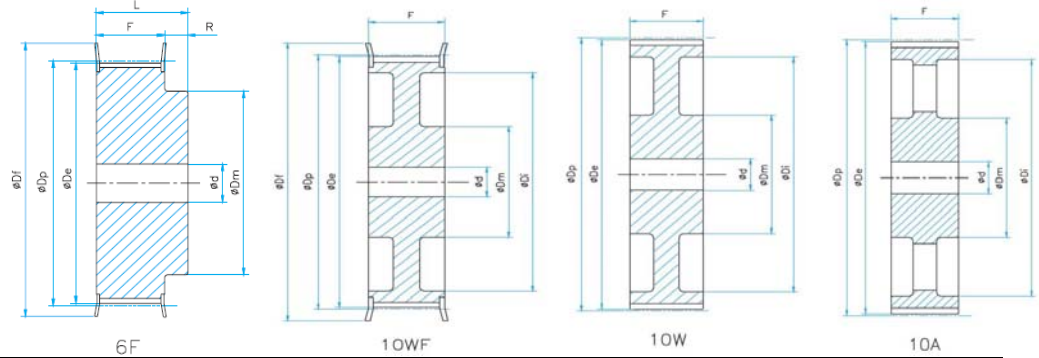
Note:

- 1, Finished bore available with request;
- 2, Center hole provided if there is no bore size listed;
- 3, Flange dimension: O.D.x I.D.x Thickness.

*All dimensions are mm

Timing Pulley HTD 8M-50

8mm Pitch



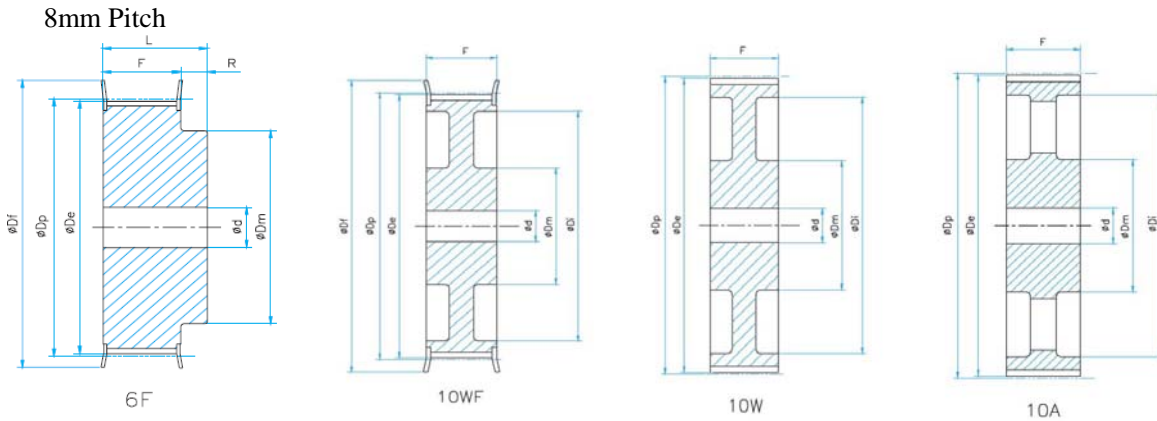
Part No.	Teeth No.	Config.	Material	Dp	De	Df	Hub Dia. Dm	Di	Width F	Length L	Bore d	Flange Dimension
22-8M-50	22	6F	STEEL	56.02	54.65	60	43	-	60	70	12	60.0x47.0x1.5
24-8M-50	24	6F		61.12	59.75	66	45	-	60	70	12	66.0x52.0x1.5
26-8M-50	26	6F		66.21	64.84	70	48	-	60	70	15	70.0x53.0x1.5
28-8M-50	28	6F		71.30	69.93	75	50	-	60	70	15	75.0x60.0x1.5
30-8M-50	30	6F		76.39	75.02	83	55	-	60	70	15	83.0x68.0x1.5
32-8M-50	32	6F		81.49	80.12	87	60	-	60	70	15	87.0x72.0x1.5
34-8M-50	34	6F		86.58	85.22	91	70	-	60	70	15	91.0x73.0x1.5
36-8M-50	36	6F		91.67	90.30	97	75	-	60	70	15	97.0x79.0x1.5
38-8M-50	38	6F		96.77	95.39	102	75	-	60	70	15	102.0x82.5x1.5
40-8M-50	40	6F		101.86	100.49	106	75	-	60	70	18	106.0x90.0x1.5
44-8M-50	44	6F		112.05	110.67	120	75	-	60	70	18	120.0x99.5x1.5
48-8M-50	48	6F		122.23	120.86	128	75	-	60	70	18	128.0x107.0x1.5
56-8M-50	56	10WF		142.60	141.23	150	90	116	60	60	18	150.0x130.0x1.5
64-8M-50	64	10WF		162.97	161.60	168	90	137	60	60	18	168.0x148.0x1.5
72-8M-50	72	10WF	183.35	181.97	192	100	158	60	60	18	192.0x173.0x1.5	
80-8M-50	80	10W	CAST IRON	203.72	202.35	-	110	180	60	60	18	-
90-8M-50	90	10A		229.18	227.81	-	110	204	60	60	18	-
112-8M-50	112	10A		285.21	283.83	-	110	254	60	60	18	-
144-8M-50	144	10A		366.69	365.32	-	110	336	60	60	20	-
168-8M-50	168	10A		427.81	426.44	-	120	400	60	60	20	-
192-8M-50	192	10A		488.92	487.55	-	130	460	60	60	20	-

Note:

*All dimensions are mm

- 1, Finished bore available with request;
- 2, Center hole provided if there is no bore size listed;
- 3, Flange dimension: O.D.x I.D.x Thickness.

Timing Pulley HTD 8M-85



Part No.	Teeth No.	Config.	Material	Dp	De	Df	Hub Dia. Dm	Di	Width F	Length L	Bore d	Flange Dimension
22-8M-85	22	6F	STEEL	56.02	54.65	60	43	-	95	105	12	60.0x47.0x1.5
24-8M-85	24	6F		61.12	59.75	66	45	-	95	105	12	66.0x52.0x1.5
26-8M-85	26	6F		66.21	64.84	70	48	-	95	105	12	70.0x53.0x1.5
28-8M-85	28	6F		71.30	69.93	75	50	-	95	105	15	75.0x60.0x1.5
30-8M-85	30	6F		76.39	75.02	83	55	-	95	105	15	83.0x68.0x1.5
32-8M-85	32	6F		81.49	80.12	87	60	-	95	105	15	87.0x72.0x1.5
34-8M-85	34	6F		86.58	85.22	91	66	-	95	105	15	91.0x73.0x1.5
36-8M-85	36	6F		91.67	90.30	97	70	-	95	105	15	97.0x79.0x1.5
38-8M-85	38	6F		96.77	95.39	102	75	-	95	105	15	102.0x82.5x1.5
40-8M-85	40	6F		101.86	100.49	106	75	-	95	105	18	106.0x90.0x1.5
44-8M-85	44	6F		112.05	110.67	120	75	-	95	105	18	120.0x99.5x1.5
48-8M-85	48	6F		122.23	120.86	128	80	-	95	105	18	128.0x107.0x1.5
56-8M-85	56	6F		142.60	141.23	150	90	-	95	105	18	150.0x130.0x1.5
64-8M-85	64	10WF		162.97	161.60	168	100	137	95	95	20	168.0x148.0x1.5
72-8M-85	72	10WF	183.35	181.97	192	100	158	95	95	20	192.0x173.0x1.5	
80-8M-85	80	10W	CAST IRON	203.72	202.35	-	110	180	95	95	20	-
90-8M-85	90	10A		229.18	227.81	-	110	204	95	95	20	-
112-8M-85	112	10A		285.21	283.83	-	110	254	95	95	24	-
144-8M-85	144	10A		366.69	365.32	-	110	336	95	95	24	-
168-8M-85	168	10A		427.81	426.44	-	120	400	95	95	24	-
192-8M-85	192	10A		488.92	487.55	-	130	460	95	95	24	-

Note:

*All dimensions are mm

- 1, Finished bore available with request;
- 2, Center hole provided if there is no bore size listed;
- 3, Flange dimension: O.D.x I.D.x Thickness.