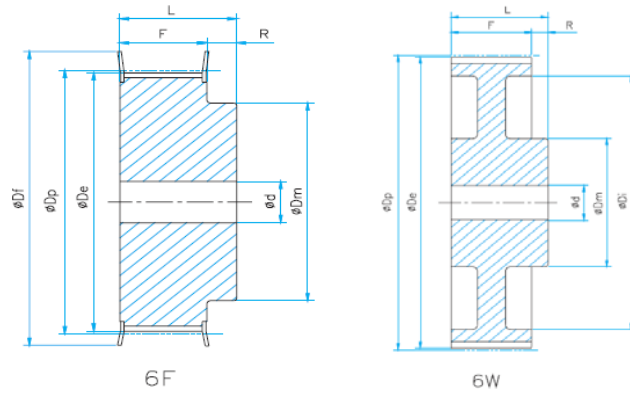


## Timing Pulley HTD 5M-09

5mm Pitch



**Note:**

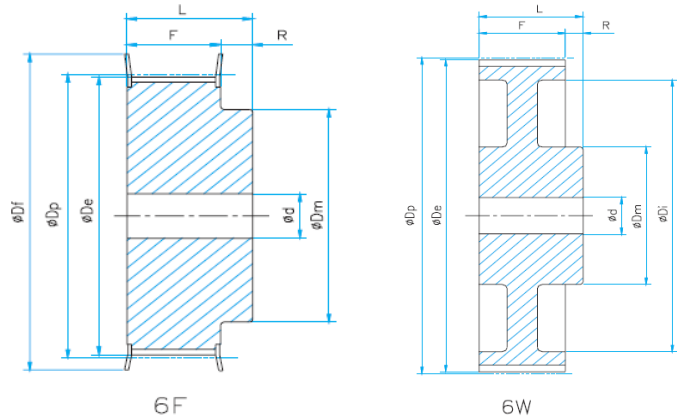
- 1, Setscrew hole available with request; finished bore with keyway & setscrews available with request;
- 2, Center hole provided if there is no bore size listed;
- 3, Flange dimension: O.D.x I.D.x Thickness.

\*All dimensions are mm

Part No.	Teeth No.	Config.	Material	Dp	De	Df	Hub Dia. Dm	Di	Width F	Length L	Bore d	Flange Dimension
12-5M-09	12	6F	STEEL	19.10	17.96	23	12	-	14.5	20	-	23.0x14.0x1.0
14-5M-09	14	6F		22.28	21.14	25	13	-	14.5	20	-	25.0x15.0x1.0
15-5M-09	15	6F		23.87	22.73	28	16	-	14.5	20	-	28.0x17.8x1.0
16-5M-09	16	6F		25.46	24.32	28	16.2	-	14.5	20	-	28.0x17.8x1.0
18-5M-09	18	6F		28.65	27.51	32	20	-	14.5	20	-	32.0x23.0x1.0
20-5M-09	20	6F		31.83	30.69	36	23	-	14.5	22.5	-	36.0x25.0x1.0
21-5M-09	21	6F		33.42	32.28	38	24	-	14.5	22.5	-	38.0x26.5x1.0
22-5M-09	22	6F		35.01	33.87	39	25.5	-	14.5	22.5	-	39.0x28.0x1.0
24-5M-09	24	6F		38.20	37.06	42	27	-	14.5	22.5	-	42.0x30.5x1.0
26-5M-09	26	6F		41.38	40.24	44	30	-	14.5	22.5	-	44.0x32.5x1.0
28-5M-09	28	6F		44.56	43.42	48	30.5	-	14.5	22.5	-	48.0x37.0x1.0
30-5M-09	30	6F		47.75	46.60	51	35	-	14.5	22.5	-	51.0x40.0x1.0
32-5M-09	32	6F		50.93	49.79	54	38	-	14.5	22.5	8	54.0x43.0x1.0
36-5M-09	36	6F		57.30	56.16	60	38	-	14.5	22.5	8	60.0x47.0x1.0
40-5M-09	40	6F	63.66	62.52	71	38	-	14.5	22.5	8	71.0x56.0x1.0	
44-5M-09	44	6W	AL	70.03	68.89	-	38	54	14.5	25.5	8	-
48-5M-09	48	6W		76.39	75.25	-	45	61	14.5	25.5	8	-
60-5M-09	60	6W		95.49	94.35	-	45	80	14.5	25.5	8	-
72-5M-09	72	6W		114.59	113.45	-	45	100	14.5	25.5	8	-

## Timing Pulley HTD 5M-15

5mm Pitch



**Note:**

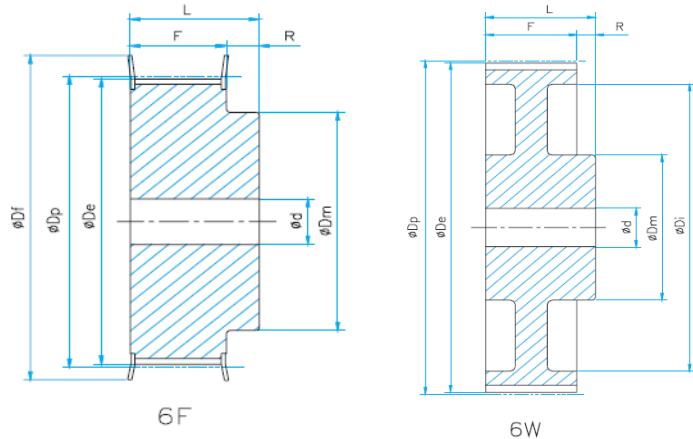
- 1, Setscrew hole available with request; finished bore with keyway & setscrews available with request;
- 2, Center hole provided if there is no bore size listed;
- 3, Flange dimension: O.D.x I.D.x Thickness.

\*All dimensions are mm

Part No.	Teeth No.	Config.	Material	Dp	De	Df	Hub Dia. Dm	Di	Width F	Length L	Bore d	Flange Dimension
12-5M-15	12	6F	STEEL	19.10	17.96	23	12	-	20.5	26	-	23.0x14.0x1.0
14-5M-15	14	6F		22.28	21.14	25	13	-	20.5	26	-	25.0x15.0x1.0
15-5M-15	15	6F		23.87	22.73	28	16	-	20.5	26	-	28.0x17.8x1.0
16-5M-15	16	6F		25.46	24.32	28	16.2	-	20.5	26	-	28.0x17.8x1.0
18-5M-15	18	6F		28.65	27.51	32	20	-	20.5	26	-	32.0x23.0x1.0
20-5M-15	20	6F		31.83	30.69	36	23	-	20.5	26	-	36.0x25.0x1.0
21-5M-15	21	6F		33.42	32.28	38	24	-	20.5	26	-	38.0x26.5x1.0
22-5M-15	22	6F		35.01	33.87	39	25.5	-	20.5	26	-	39.0x28.0x1.0
24-5M-15	24	6F		38.20	37.06	42	27	-	20.5	28	-	42.0x30.5x1.0
26-5M-15	26	6F		41.38	40.24	44	30	-	20.5	28	-	44.0x32.5x1.0
28-5M-15	28	6F		44.56	43.42	48	30.5	-	20.5	28	-	48.0x37.0x1.0
30-5M-15	30	6F		47.75	46.60	51	35	-	20.5	28	-	51.0x40.0x1.0
32-5M-15	32	6F		50.93	49.79	54	38	-	20.5	28	8	54.0x43.0x1.0
36-5M-15	36	6F		57.30	56.16	60	38	-	20.5	28	8	60.0x47.0x1.0
40-5M-15	40	6F		63.66	62.52	71	38	-	20.5	28	8	71.0x56.0x1.0
44-5M-15	44	6W	AL	70.03	68.89	-	38	54	20.5	30	8	-
48-5M-15	48	6W		76.39	75.25	-	45	61	20.5	30	8	-
60-5M-15	60	6W		95.49	94.35	-	45	80	20.5	30	8	-
72-5M-15	72	6W		114.59	113.45	-	45	100	20.5	30	8	-

## Timing Pulley HTD 5M-25

5mm Pitch



**Note:**

- 1, Setscrew hole available with request; finished bore with keyway & setscrews available with request;
- 2, Center hole provided if there is no bore size listed;
- 3, Flange dimension: O.D.x I.D.x Thickness.

\*All dimensions are mm

Part No.	Teeth No.	Config.	Material	Dp	De	Df	Hub Dia. Dm	Di	Width F	Length L	Bore d	Flange Dimension
12-5M-25	12	6F	STEEL	19.10	17.96	23	12	-	30.5	36	-	23.0x14.0x1.0
14-5M-25	14	6F		22.28	21.14	25	13	-	30.5	36	-	25.0x15.0x1.0
15-5M-25	15	6F		23.87	22.73	28	16	-	30.5	36	-	28.0x17.8x1.0
16-5M-25	16	6F		25.46	24.32	28	16.5	-	30.5	36	-	28.0x17.8x1.0
18-5M-25	18	6F		28.65	27.51	32	20	-	30.5	36	-	32.0x23.0x1.0
20-5M-25	20	6F		31.83	30.69	36	23	-	30.5	36	-	36.0x25.0x1.0
21-5M-25	21	6F		33.42	32.28	38	24	-	30.5	38.5	-	38.0x26.5x1.0
22-5M-25	22	6F		35.01	33.87	39	25.5	-	30.5	38.5	-	39.0x28.0x1.0
24-5M-25	24	6F		38.20	37.06	42	27	-	30.5	38.5	-	42.0x30.5x1.0
26-5M-25	26	6F		41.38	40.24	44	30	-	30.5	38.5	-	44.0x32.5x1.0
28-5M-25	28	6F		44.56	43.42	48	30.5	-	30.5	38.5	-	48.0x37.0x1.0
30-5M-25	30	6F		47.75	46.60	51	35	-	30.5	38.5	-	51.0x40.0x1.0
32-5M-25	32	6F		50.93	49.79	54	38	-	30.5	38.5	8	54.0x43.0x1.0
36-5M-25	36	6F		57.30	56.16	60	38	-	30.5	38.5	8	60.0x47.0x1.0
40-5M-25	40	6F	63.66	62.52	71	38	-	30.5	38.5	8	71.0x56.0x1.0	
44-5M-25	44	6W	AL	70.03	68.89	-	38	54	30.5	40.5	8	-
48-5M-25	48	6W		76.39	75.25	-	45	61	30.5	40.5	8	-
60-5M-25	60	6W		95.49	94.35	-	45	80	30.5	40.5	8	-
72-5M-25	72	6W		114.59	113.45	-	45	100	30.5	40.5	8	-