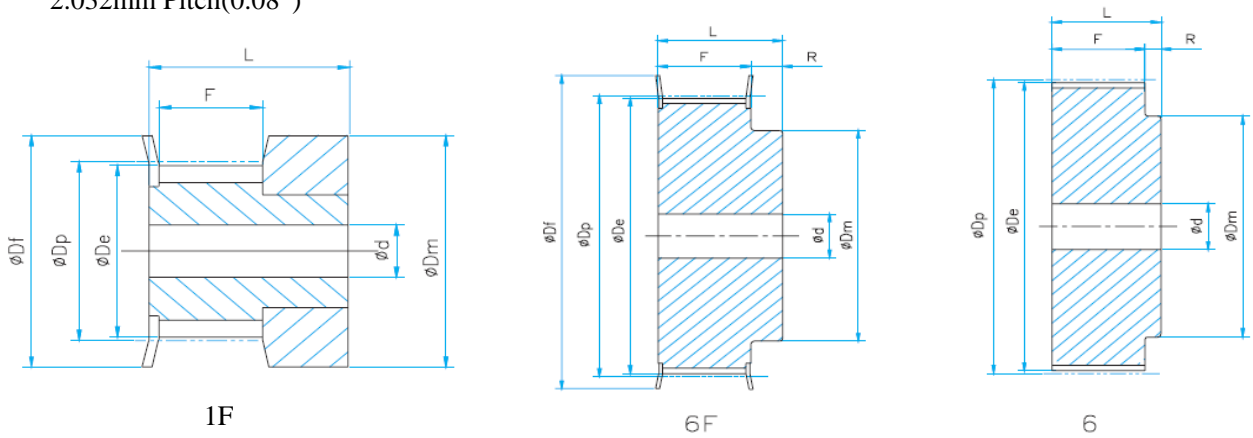


## Timing Pulley

### MXL025

2.032mm Pitch(0.08")



\*All dimensions are mm

Part No.	Teeth No.	Config.	Material	Dp	De	Df	Hub Dia. Dm	Width F	Length L	Bore d	Flange Dimension
16MXL025	16	1F	Alu.	10.35	9.84	15	15	8.5	16	-	15x8x0.5
18MXL025	18	1F	Alu.	11.64	11.12	16	16	8.5	16	-	16x9.5x0.5
20MXL025	20	1F	Alu.	12.94	12.43	16	16	8.5	16	-	16x9.5x0.5
22MXL025	22	6F	Alu.	14.23	13.72	17.5	10	11	16	-	17.5x11.6x0.5
24MXL025	24	6F	Alu.	15.52	15.01	20	10	11	16	-	20x12.2x0.5
28MXL025	28	6F	Alu.	18.11	17.60	25	11	11	16	-	25x14.5x0.5
30MXL025	30	6F	Alu.	19.40	18.90	25	12	11	16	-	25x14.5x0.5
32MXL025	32	6F	Alu.	20.70	20.19	26	14	11	16	-	26x17.8x0.5
36MXL025	36	6F	Alu.	23.29	22.78	28	16	11	16	-	28x20x0.5
40MXL025	40	6F	Alu.	25.87	25.37	32	18	11	16	-	32x23x0.5
42MXL025	42	6F	Alu.	27.17	26.67	32	18	11	16	5	32x23x0.5
44MXL025	44	6F	Alu.	28.46	27.95	36	18	11	16	5	36x25x0.5
48MXL025	48	6	Alu.	31.05	30.54	-	20	11	16	5	
60MXL025	60	6	Alu.	38.81	38.30	-	24	11	16	5	
72MXL025	72	6	Alu.	46.57	46.06	-	25	11	16	6	

Note: 1, Setscrew hole available with request;

2, Center hole provided if there is no bore size listed;

3, Flange dimension: O.D.x I.D.x Thickness.

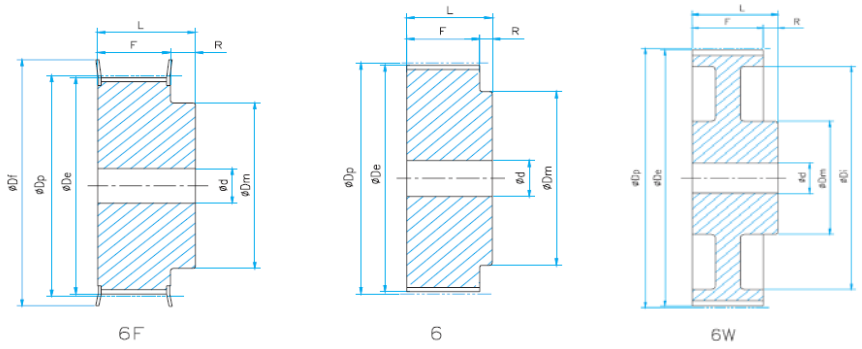


## Timing Pulley XL037

5.08mm Pitch (1/5")

**Note:**

- 1, Setscrew hole available with request;
- 2, Center hole provided if there is no bore size listed;
- 3, Flange dimension: O.D.x I.D.x Thickness.



\*All dimensions are mm

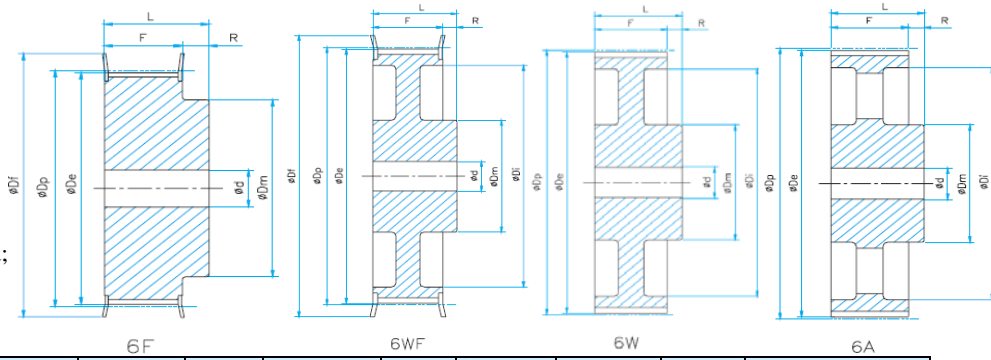
Part No.	Teeth No.	Config.	Material	Dp	De	Df	Hub Dia. Dm	Di	Width F	Length L	Bore d	Flange Dimension
10XL037	10	6F	Alu./St.	16.17	15.66	23	9.5	-	14.3	20	-	23x12.5x1.0
11XL037	11	6F	Alu./St.	17.79	17.28	23	9.5	-	14.3	20	-	23x12.5x1.0
12XL037	12	6F	Alu./St.	19.40	18.90	25	10	-	14.3	20	-	25x15x1.0
13XL037	13	6F	Alu./St.	21.02	20.51	25	10	-	14.3	20	-	25x15x1.0
14XL037	14	6F	Alu./St.	22.64	22.13	28	15	-	14.3	20	-	28x17.8x1.0
15XL037	15	6F	Alu./St.	24.26	23.75	28	15	-	14.3	20	-	28x17.8x1.0
16XL037	16	6F	Alu./St.	25.87	25.36	32	16	-	14.3	20	-	32x20x1.0
17XL037	17	6F	Alu./St.	27.49	26.98	32	20	-	14.3	20	-	32x23x1.0
18XL037	18	6F	Alu./St.	29.11	28.60	35	20	-	14.3	20	-	35x23x1.0
19XL037	19	6F	Alu./St.	30.72	30.22	35	20	-	14.3	22	-	35x23x1.0
20XL037	20	6F	Alu./St.	32.34	31.83	38	24	-	14.3	22	-	38x26.5x1.0
21XL037	21	6F	Alu./St.	33.96	33.45	38	24	-	14.3	22	-	38x26.5x1.0
22XL037	22	6F	Alu./St.	35.57	35.07	41	25	-	14.3	22	-	41x30x1.0
24XL037	24	6F	Alu./St.	38.81	38.30	44	30	-	14.3	22	-	44x32.5x1.0
26XL037	26	6F	Alu./St.	42.04	41.53	48	30	-	14.3	22	8	48x37x1.0
27XL037	25	6F	Alu./St.	43.66	43.15	48	34	-	14.3	22	8	48x37x1.0
28XL037	28	6F	Alu./St.	45.28	44.77	51	34	-	14.3	22	8	51x40x1.0
29XL037	29	6F	Alu./St.	46.89	46.39	51	34	-	14.3	22	8	51x40x1.0
30XL037	30	6F	Alu./St.	48.51	48.00	54	38	-	14.3	22	8	54x43x1.0
32XL037	32	6F	Alu./St.	51.74	51.24	57	38	-	14.3	25	8	57x47x1.0
34XL037	34	6	Alu./St.	54.98	54.47	-	45	-	14.3	25	8	-
36XL037	36	6	Alu./St.	58.21	57.70	-	45	-	14.3	25	8	-
38XL037	38	6	Alu./St.	61.45	60.94	-	45	-	14.3	25	8	-
40XL037	40	6	Alu./St.	64.68	64.17	-	45	-	14.3	25	8	-
42XL037	42	6	Alu./St.	67.91	67.41	-	45	-	14.3	25	8	-
44XL037	44	6	Alu./St.	71.15	70.64	-	45	-	14.3	25	8	-
46XL037	46	6W	Alu./St.	74.38	73.87	-	45	61	14.3	25	10	-
48XL037	48	6W	Alu./St.	77.62	77.11	-	45	61	14.3	25	10	-
52XL037	52	6W	Alu./St.	84.08	83.58	-	45	67	14.3	25	10	-
56XL037	56	6W	Alu./St.	90.55	90.04	-	45	80	14.3	25	10	-
58XL037	58	6W	Alu./St.	93.79	93.28	-	45	80	14.3	25	10	-
60XL037	60	6W	Alu./St.	97.02	96.51	-	45	80	14.3	25	10	-
68XL037	68	6W	Alu./St.	109.96	109.45	-	45	100	14.3	25	10	-
70XL037	70	6W	Alu./St.	113.19	112.68	-	45	100	14.3	25	10	-
72XL037	72	6W	Alu./St.	116.42	115.92	-	45	100	14.3	25	10	-

## Timing Pulley L050

9.525mm Pitch (3/8")

**Note:**

- 1, Setscrew hole available with request;
- 2, Center hole provided if there is no bore size listed;
- 3, Flange dimension: O.D.x I.D.x Thickness.



\*All dimensions are mm

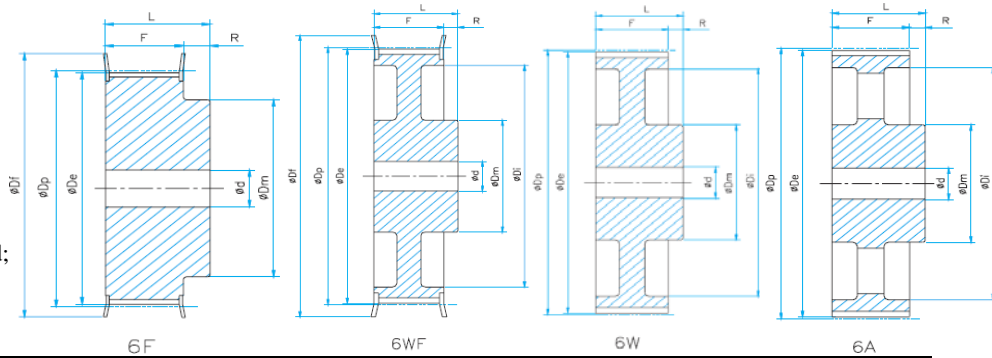
Part No.	Teeth No.	Config.	Material	Dp	De	Df	Hub Dia. Dm	Di	Width F	Length L	Bore d	Flange Dimension
10L050	10	6F	Steel	30.32	29.56	37	20	-	19	28	8	37.0x25.0x1.5
11L050	11	6F	Steel	33.35	32.59	37	22	-	19	30	8	37.0x25.0x1.5
12L050	12	6F	Steel	36.38	35.62	43	24	-	19	30	8	43.0x31.0x1.5
13L050	13	6F	Steel	39.41	38.65	44	28	-	19	30	8	44.0x32.5x1.5
14L050	14	6F	Steel	42.45	41.68	48	28	-	19	30	8	48.0x37.0x1.5
15L050	15	6F	Steel	45.48	44.72	51	34	-	19	30	8	51.0x38.5x1.5
16L050	16	6F	Steel	48.51	47.75	54	36	-	19	32	8	54.0x43.0x1.5
17L050	17	6F	Steel	51.54	50.78	57	36	-	19	32	10	57.0x46.0x1.5
18L050	18	6F	Steel	54.57	53.81	60	40	-	19	32	10	60.0x48.0x1.5
19L050	19	6F	Steel	57.61	56.84	64	40	-	19	32	10	64.0x47.0x1.5
20L050	20	6F	Steel	60.64	59.88	66.5	40	-	19	32	10	66.5x53.0x1.5
21L050	21	6F	Steel	63.67	62.91	70	45	-	19	32	10	70.0x53.0x1.5
22L050	22	6F	Steel	66.70	65.94	75	45	-	19	32	10	75.0x57.0x1.5
23L050	23	6F	Steel	69.73	68.97	79	55	-	19	32	10	79.0x60.0x1.5
24L050	24	6F	Steel	72.77	72.00	79	55	-	19	32	10	79.0x60.0x1.5
25L050	25	6F	Steel	75.80	75.04	82.5	58	-	19	32	10	82.5x64.0x1.5
26L050	26	6F	Steel	78.83	78.07	86	58	-	19	32	11	86.0x68.0x1.5
27L050	27	6F	Steel	81.86	81.10	86	58	-	19	32	11	86.0x68.0x1.5
28L050	28	6F	Steel	84.89	84.13	91	58	-	19	32	11	91.0x73.0x1.5
30L050	30	6F	Steel	90.96	90.20	97	70	-	19	32	11	97.0x79.0x1.5
32L050	32	6F	Steel	97.02	96.26	102	70	-	19	32	11	102x82.5x1.5
36L050	36	6F	Steel	109.15	108.39	115	70	-	19	32	11	115x94x1.5
40L050	40	6WF	Steel	121.28	120.51	128	70	100	19	32	11	128x107x1.5
42L050	42	6WF	Steel	127.34	126.58	135	70	106	19	32	11	135x115x1.5
44L050	44	6WF	Steel	133.40	132.64	142	70	112	19	32	11	142x120x1.5
48L050	48	6WF	Steel	145.53	144.77	150	70	124	19	32	11	150x130x1.5
50L050	50	6W	GG25	151.60	150.83	-	70	130	19	32	14	-
52L050	52	6W	GG25	157.66	156.90	-	70	136	19	32	14	-
56L050	56	6W	GG25	169.79	169.02	-	70	149	19	32	14	-
60L050	60	6W	GG25	181.91	181.15	-	75	160	19	42	14	-
72L050	72	6A	GG25	218.30	217.53	-	75	197	19	42	14	-
84L050	84	6A	GG25	254.68	253.92	-	75	233	19	42	14	-
90L050	90	6A	GG25	272.87	272.11	-	75	252	19	42	14	-
96L050	96	6A	GG25	291.06	290.30	-	75	269	19	42	14	-
120L050	120	6A	GG25	363.83	363.07	-	75	342	19	42	14	-

## Timing Pulley L075

9.525mm Pitch (3/8")

**Note:**

- 1, Setscrew hole available with request;
- 2, Center hole provided if there is no bore size listed;
- 3, Flange dimension: O.D.x I.D.x Thickness.



\*All dimensions are mm

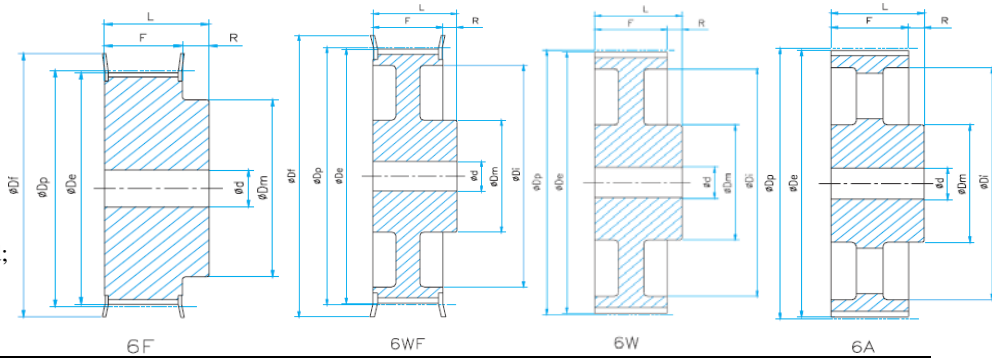
Part No.	Teeth No.	Config.	Material	Dp	De	Df	Hub Dia. Dm	Di	Width F	Length L	Bore d	Flange Dimension
10L075	10	6F	Steel	30.32	29.56	37	20	-	25.4	38	8	37.0x25.0x1.5
11L075	11	6F	Steel	33.35	32.59	37	22	-	25.4	38	8	37.0x25.0x1.5
12L075	12	6F	Steel	36.38	35.62	43	24	-	25.4	38	8	43.0x31.0x1.5
13L075	13	6F	Steel	39.41	38.65	44	28	-	25.4	38	8	44.0x32.5x1.5
14L075	14	6F	Steel	42.45	41.68	48	28	-	25.4	38	11	48.0x37.0x1.5
15L075	15	6F	Steel	45.48	44.72	51	34	-	25.4	38	11	51.0x38.5x1.5
16L075	16	6F	Steel	48.51	47.75	54	36	-	25.4	38	11	54.0x43.0x1.5
17L075	17	6F	Steel	51.54	50.78	57	36	-	25.4	38	11	57.0x46.0x1.5
18L075	18	6F	Steel	54.57	53.81	60	40	-	25.4	38	11	60.0x48.0x1.5
19L075	19	6F	Steel	57.61	56.84	64	40	-	25.4	38	11	64.0x47.0x1.5
20L075	20	6F	Steel	60.64	59.88	66.5	40	-	25.4	38	11	66.5x53.0x1.5
21L075	21	6F	Steel	63.67	62.91	70	45	-	25.4	38	11	70.0x53.0x1.5
22L075	22	6F	Steel	66.70	65.94	75	45	-	25.4	38	11	75.0x57.0x1.5
23L075	23	6F	Steel	69.73	68.97	79	55	-	25.4	38	11	79.0x60.0x1.5
24L075	24	6F	Steel	72.77	72.00	79	55	-	25.4	38	11	79.0x60.0x1.5
25L075	25	6F	Steel	75.80	75.04	82.5	58	-	25.4	38	11	82.5x64.0x1.5
26L075	26	6F	Steel	78.83	78.07	86	58	-	25.4	38	11	86.0x68.0x1.5
27L075	27	6F	Steel	81.86	81.10	86	58	-	25.4	38	11	86.0x68.0x1.5
28L075	28	6F	Steel	84.89	84.13	91	58	-	25.4	38	11	91.0x73.0x1.5
30L075	30	6F	Steel	90.96	90.20	97	70	-	25.4	38	11	97.0x79.0x1.5
32L075	32	6F	Steel	97.02	96.26	102	70	-	25.4	38	11	102x82.5x1.5
36L075	36	6F	Steel	109.15	108.39	115	70	-	25.4	38	11	115x94x1.5
40L075	40	6WF	Steel	121.28	120.51	128	70	100	25.4	38	11	128x107x1.5
42L075	42	6WF	Steel	127.34	126.58	135	70	106	25.4	38	11	135x115x1.5
44L075	44	6WF	Steel	133.40	132.64	142	70	112	25.4	38	11	142x120x1.5
48L075	48	6WF	Steel	145.53	144.77	150	70	124	25.4	38	11	150x130x1.5
50L075	50	6W	GG25	151.60	150.83	-	70	130	25.4	38	14	-
52L075	52	6W	GG25	157.66	156.90	-	70	136	25.4	38	14	-
56L075	56	6W	GG25	169.79	169.02	-	70	149	25.4	38	14	-
60L075	60	6W	GG25	181.91	181.15	-	75	160	25.4	45	14	-
72L075	72	6A	GG25	218.30	217.53	-	75	197	25.4	45	14	-
84L075	84	6A	GG25	254.68	253.92	-	75	233	25.4	45	14	-
90L075	90	6A	GG25	272.87	272.11	-	75	252	25.4	45	14	-
96L075	96	6A	GG25	291.06	290.30	-	75	269	25.4	45	14	-
120L075	120	6A	GG25	363.83	363.07	-	75	342	25.4	45	14	-

## Timing Pulley L100

9.525mm Pitch (3/8")

**Note:**

- 1, Setscrew hole available with request;
- 2, Center hole provided if there is no bore size listed;
- 3, Flange dimension: O.D.x I.D.x Thickness.



\*All dimensions are mm

Part No.	Teeth No.	Config.	Material	Dp	De	Df	Hub Dia. Dm	Di	Width F	Length L	Bore d	Flange Dimension
10L100	10	6F	Steel	30.32	29.56	37	20	-	31.8	45	8	37.0x25.0x1.5
11L100	11	6F	Steel	33.35	32.59	37	22	-	31.8	45	8	37.0x25.0x1.5
12L100	12	6F	Steel	36.38	35.62	43	24	-	31.8	45	8	43.0x31.0x1.5
13L100	13	6F	Steel	39.41	38.65	44	28	-	31.8	45	8	44.0x32.5x1.5
14L100	14	6F	Steel	42.45	41.68	48	28	-	31.8	45	11	48.0x37.0x1.5
15L100	15	6F	Steel	45.48	44.72	51	34	-	31.8	45	11	51.0x38.5x1.5
16L100	16	6F	Steel	48.51	47.75	54	36	-	31.8	45	11	54.0x43.0x1.5
17L100	17	6F	Steel	51.54	50.78	57	36	-	31.8	45	11	57.0x46.0x1.5
18L100	18	6F	Steel	54.57	53.81	60	40	-	31.8	45	11	60.0x48.0x1.5
19L100	19	6F	Steel	57.61	56.84	64	40	-	31.8	45	11	64.0x47.0x1.5
20L100	20	6F	Steel	60.64	59.88	66.5	40	-	31.8	45	11	66.5x53.0x1.5
21L100	21	6F	Steel	63.67	62.91	70	45	-	31.8	45	11	70.0x53.0x1.5
22L100	22	6F	Steel	66.70	65.94	75	45	-	31.8	45	11	75.0x57.0x1.5
23L100	23	6F	Steel	69.73	68.97	79	55	-	31.8	45	11	79.0x60.0x1.5
24L100	24	6F	Steel	72.77	72.00	79	55	-	31.8	45	11	79.0x60.0x1.5
25L100	25	6F	Steel	75.80	75.04	82.5	58	-	31.8	45	11	82.5x64.0x1.5
26L100	26	6F	Steel	78.83	78.07	86	58	-	31.8	45	11	86.0x68.0x1.5
27L100	27	6F	Steel	81.86	81.10	86	58	-	31.8	45	11	86.0x68.0x1.5
28L100	28	6F	Steel	84.89	84.13	91	58	-	31.8	45	11	91.0x73.0x1.5
30L100	30	6F	Steel	90.96	90.20	97	70	-	31.8	45	11	97.0x79.0x1.5
32L100	32	6F	Steel	97.02	96.26	102	70	-	31.8	45	11	102x82.5x1.5
36L100	36	6F	Steel	109.15	108.39	115	70	-	31.8	45	11	115x94x1.5
40L100	40	6WF	Steel	121.28	120.51	128	70	100	31.8	45	11	128x107x1.5
42L100	42	6WF	Steel	127.34	126.58	135	70	106	31.8	45	11	135x115x1.5
44L100	44	6WF	Steel	133.40	132.64	142	70	112	31.8	45	11	142x120x1.5
48L100	48	6WF	Steel	145.53	144.77	150	70	124	31.8	45	11	150x130x1.5
50L100	50	6W	GG25	151.60	150.83	-	70	130	31.8	45	14	-
52L100	52	6W	GG25	157.66	156.90	-	70	136	31.8	45	14	-
56L100	56	6W	GG25	169.79	169.02	-	70	149	31.8	45	14	-
60L100	60	6W	GG25	181.91	181.15	-	75	160	31.8	50	14	-
72L100	72	6A	GG25	218.30	217.53	-	75	197	31.8	50	14	-
84L100	84	6A	GG25	254.68	253.92	-	75	233	31.8	50	14	-
90L100	90	6A	GG25	272.87	272.11	-	75	252	31.8	50	14	-
96L100	96	6A	GG25	291.06	290.30	-	75	269	31.8	50	14	-
120L100	120	6A	GG25	363.83	363.07	-	75	342	31.8	50	14	-