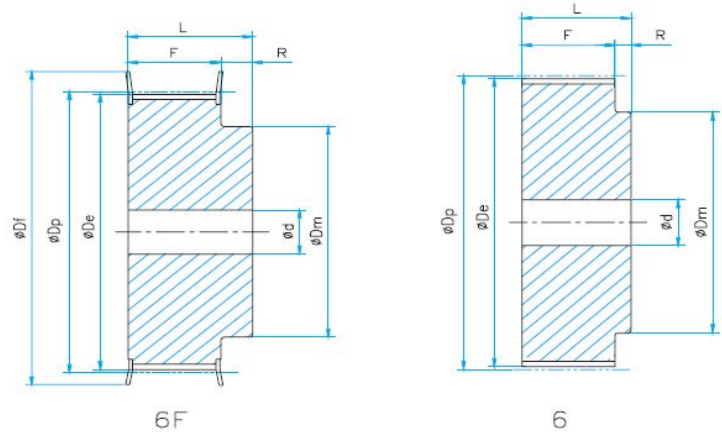


Timing Pulley

21T5

5mm Pitch, for 10mm belt width



*All dimensions are mm

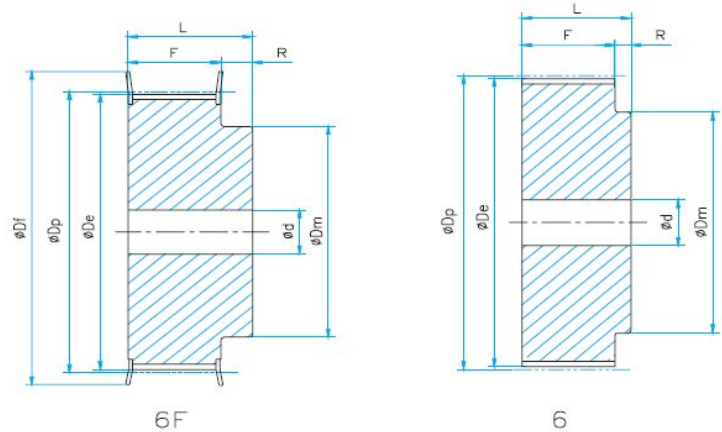
Part No.	Teeth No.	Config.	Material	Dp	De	Df	Hub Dia. Dm	Width F	Length L	Bore d	Flange Dimension
21T5-10-2	10	6F	Alu.	16.05	15.05	19.5	8	15	21	-	19.5x12x1.0
21T5-12-2	12	6F	Alu.	19.25	18.25	23	11	15	21	-	23x12.5x1.0
21T5-14-2	14	6F	Alu.	22.45	21.45	25	13	15	21	-	25x15x1.0
21T5-15-2	15	6F	Alu.	24.05	23.05	28	16	15	21	-	28x17.8x1.0
21T5-16-2	16	6F	Alu.	25.60	24.60	32	18	15	21	-	32x20x1.0
21T5-18-2	18	6F	Alu.	28.80	27.80	32	20	15	21	-	32x23x1.0
21T5-19-2	19	6F	Alu.	30.40	29.40	36	20	15	21	-	36x25x1.0
21T5-20-2	20	6F	Alu.	32.00	31.00	36	22	15	21	-	36x25x1.0
21T5-22-2	22	6F	Alu.	34.15	32.15	38	23	15	21	-	38x26.5x1.0
21T5-24-2	24	6F	Alu.	38.40	37.40	42	24	15	21	-	42x30.5x1.0
21T5-25-2	25	6F	Alu.	39.95	38.95	44	26	15	21	-	44x32.5x1.0
21T5-26-2	26	6F	Alu.	41.60	40.60	44	26	15	21	-	44x32.5x1.0
21T5-27-2	27	6F	Alu.	43.20	42.20	48	30	15	21	8	48x37x1.0
21T5-28-2	28	6F	Alu.	44.75	43.75	48	32	15	21	8	48x37x1.0
21T5-30-2	30	6F	Alu.	47.95	46.95	51	34	15	21	8	51x40x1.0
21T5-32-2	32	6F	Alu.	51.10	50.10	54	38	15	21	8	54x43x1.0
21T5-36-2	36	6F	Alu.	57.45	56.45	64	38	15	21	8	64x47x1.0
21T5-40-2	40	6F	Alu.	63.85	62.85	66.5	40	15	21	8	66.5x52x1.0
21T5-42-2	42	6F	Alu.	67	66	70	40	15	21	8	70x53x1.0
21T5-44-0	44	6	Alu.	70.20	69.20	-	45	15	21	8	-
21T5-48-0	48	6	Alu.	76.55	75.55	-	50	15	21	8	-
21T5-60-0	60	6	Alu.	95.65	94.65	-	65	15	21	8	-

- Note: 1, Setscrew hole available with request;
 2, Center hole provided if there is no bore size listed;
 3, Flange dimension: O.D.x I.D.x Thickness.

Timing Pulley

27T5

5mm Pitch, for 16mm belt width



*All dimensions are mm

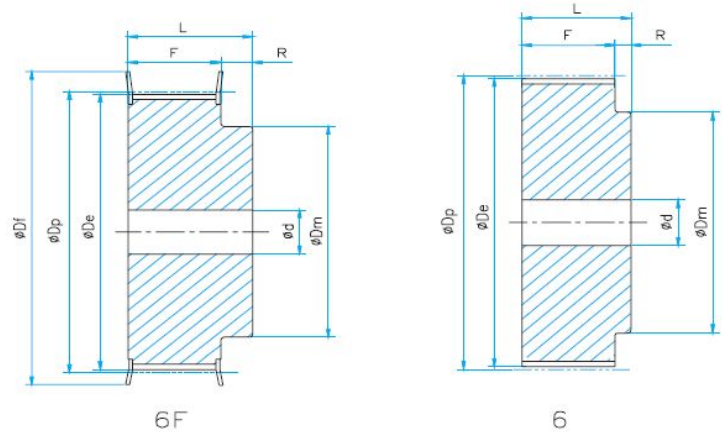
Part No.	Teeth No.	Config.	Material	Dp	De	Df	Hub Dia. Dm	Width F	Length L	Bore d	Flange Dimension
27T5-10-2	10	6F	Alu.	16.05	15.05	19.5	8	21	27	-	19.5x12x1.0
27T5-12-2	12	6F	Alu.	19.25	18.25	23	11	21	27	-	23x12.5x1.0
27T5-14-2	14	6F	Alu.	22.45	21.45	25	13	21	27	-	25x15x1.0
27T5-15-2	15	6F	Alu.	24.05	23.05	28	16	21	27	-	28x17.8x1.0
27T5-16-2	16	6F	Alu.	25.60	24.60	32	18	21	27	-	32x20x1.0
27T5-18-2	18	6F	Alu.	28.80	27.80	32	20	21	27	-	32x23x1.0
27T5-19-2	19	6F	Alu.	30.40	29.40	36	20	21	27	-	36x25x1.0
27T5-20-2	20	6F	Alu.	32.00	31.00	36	22	21	27	-	36x25x1.0
27T5-22-2	22	6F	Alu.	34.15	32.15	38	23	21	27	-	38x26.5x1.0
21T5-24-2	24	6F	Alu.	38.40	37.40	42	24	21	27	-	42x30.5x1.0
27T5-25-2	25	6F	Alu.	39.95	38.95	44	26	21	27	-	44x32.5x1.0
27T5-26-2	26	6F	Alu.	41.60	40.60	44	26	21	27	-	44x32.5x1.0
27T5-27-2	27	6F	Alu.	43.20	42.20	48	30	21	27	8	48x37x1.0
27T5-28-2	28	6F	Alu.	44.75	43.75	48	32	21	27	8	48x37x1.0
27T5-30-2	30	6F	Alu.	47.95	46.95	51	34	21	27	8	51x40x1.0
27T5-32-2	32	6F	Alu.	51.10	50.10	54	38	21	27	8	54x43x1.0
27T5-36-2	36	6F	Alu.	57.45	56.45	64	38	21	27	8	64x47x1.0
27T5-40-2	40	6F	Alu.	63.85	62.85	66.5	40	21	27	8	66.5x52x1.0
27T5-42-2	42	6F	Alu.	67	66	70	40	21	27	8	70x53x1.0
27T5-44-0	44	6	Alu.	70.20	69.20	-	45	21	27	8	-
27T5-48-0	48	6	Alu.	76.55	75.55	-	50	21	27	8	-
27T5-60-0	60	6	Alu.	95.65	94.65	-	65	21	27	8	-

- Note: 1, Setscrew hole available with request;
 2, Center hole provided if there is no bore size listed;
 3, Flange dimension: O.D.x I.D.x Thickness.

Timing Pulley

36T5

5mm Pitch, for 25mm belt width



*All dimensions are mm

Part No.	Teeth No.	Config.	Material	Dp	De	Df	Hub Dia. Dm	Width F	Length L	Bore d	Flange Dimension
36T5-10-2	10	6F	Alu.	16.05	15.05	19.5	8	30	36	-	19.5x12x1.0
36T5-12-2	12	6F	Alu.	19.25	18.25	23	11	30	36	-	23x12.5x1.0
36T5-14-2	14	6F	Alu.	22.45	21.45	25	13	30	36	-	25x15x1.0
36T5-15-2	15	6F	Alu.	24.05	23.05	28	16	30	36	-	28x17.8x1.0
36T5-16-2	16	6F	Alu.	25.60	24.60	32	18	30	36	-	32x20x1.0
36T5-18-2	18	6F	Alu.	28.80	27.80	32	20	30	36	-	32x23x1.0
36T5-19-2	19	6F	Alu.	30.40	29.40	36	20	30	36	-	36x25x1.0
36T5-20-2	20	6F	Alu.	32.00	31.00	36	22	30	36	-	36x25x1.0
36T5-22-2	22	6F	Alu.	34.15	32.15	38	23	30	36	-	38x26.5x1.0
36T5-24-2	24	6F	Alu.	38.40	37.40	42	24	30	36	-	42x30.5x1.0
36T5-25-2	25	6F	Alu.	39.95	38.95	44	26	30	36	-	44x32.5x1.0
36T5-26-2	26	6F	Alu.	41.60	40.60	44	26	30	36	-	44x32.5x1.0
36T5-27-2	27	6F	Alu.	43.20	42.20	48	30	30	36	8	48x37x1.0
36T5-28-2	28	6F	Alu.	44.75	43.75	48	32	30	36	8	48x37x1.0
36T5-30-2	30	6F	Alu.	47.95	46.95	51	34	30	36	8	51x40x1.0
36T5-32-2	32	6F	Alu.	51.10	50.10	54	38	30	36	8	54x43x1.0
36T5-36-2	36	6F	Alu.	57.45	56.45	64	38	30	36	8	64x47x1.0
36T5-40-2	40	6F	Alu.	63.85	62.85	66.5	40	30	36	8	66.5x52x1.0
36T5-42-2	42	6F	Alu.	67	66	70	40	30	36	8	70x53x1.0
36T5-44-0	44	6	Alu.	70.20	69.20	-	45	30	36	8	-
36T5-48-0	48	6	Alu.	76.55	75.55	-	50	30	36	8	-
36T5-60-0	60	6	Alu.	95.65	94.65	-	65	30	36	8	-

- Note: 1, Setscrew hole available with request;
 2, Center hole provided if there is no bore size listed;
 3, Flange dimension: O.D.x I.D.x Thickness.