

ERGONOMIC SOLUTIONS

The best solution to support and supply air tools

TROLLEY'S FOR AIR TOOLS

- Working pressure: 8 bar
- Approximate load on trolley: 30 kg (66 lbs)



SWINGING ARM (Wall & bench version)

- Maximum bearable weight: 20 kg (44 lbs)
- 3/8" Outlet plate
- Glider pad for tool attachment



WORKBENCH FOR ASSEMBLY

- Anodized aluminium frame
- Table dimensions: 75x150 or 200 cm
- Compressed air outlet: 1/4"
- Working pressure: 8 bar
- Approximate load on trolley: 30 kg (66 lbs)



CUSTOMIZED SOLUTIONS

TROLLEY FOR AUTOMOTIVE



- Less fatigue
Less stress
- + More safety
More efficiency
More productivity

CERTIFICATIONS



ISO 9001



EN 13501-1:2007



2014/68/UE



2014/68/UE



ANSI B31.3



EN

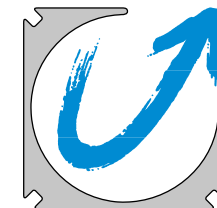
www.teseoair.com

COMPRESSED AIR SYSTEMS

AUTHORIZED TESEO DEALER

COD. 991 134 001

Teseo Srl - Via degli Oleandri, 1
25015 Desenzano del Garda - Brescia - Italia
☎ +39 030 915 0411 – 📠 +39 030 915 0419
www.teseoair.com – teseo@teseair.com



TESEO[®]
Aluminium Pipework

WHY BUY A TESEO SYSTEM



TESEO Systems TRADITIONAL Systems

- Hidden costs*
- Labour costs
- Material costs

* (air quality, modifications, low efficiency and air leaks)

- Reduced cost of electricity bill
- Longer life for air tools
- High tech design
- Low cost of modifications

HBS (Hollow Bar System)

Range from 1" to 4"
Max Working Pressure = 15 bar
Temperature range: -20° + 120 °C



- Fast installation
- Quick installation of additional outlets
- Easy to make changes and add new branch lines
- Clean and smooth inner and outer surfaces
- Integrated modular system

AP (Modular Piping System)

Range from 3/4" to 2 1/2"
Max Working Pressure = 15 bar*
Temperature range: -20° + 120 °C



*By doubling the clamping brackets of every single joint and terminal of the system, and by adding some specific components, the product can be used at a working pressure of up to 25 bar (360 psi).

SERVICE & SUPPORT FOR ENGINEERING

SOFTWARE ONLINE

Choose the right Teseo diameter in a few clicks.
Estimate the Payback of your investment.
www.teseoair.com



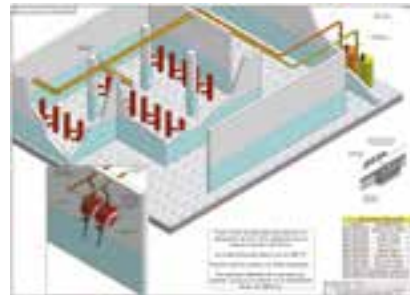
CAD LIBRARY

All 3D models of pipes and fittings are available for free on www.traceparts.com



DESIGN SUPPORT

Teseo supports its own partners and customers through the designing and sizing of air lines, the development of customized solutions for machines and production lines.



TOOLS FOR INSTALLERS

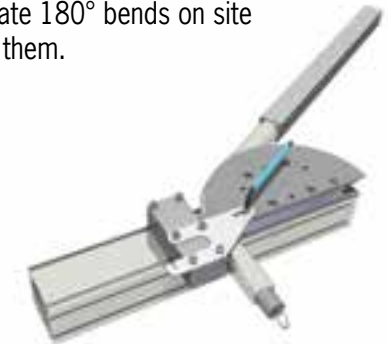
HOT TAPPING

DT is ideal for hot tapping a Teseo system live: a new outlet in a few seconds!



MANUAL PIPE BENDER

CENT80: To create 180° bends on site where you need them.



MODULAR MANIFOLDS

Modular manifolds for special machines. For compressed air, vacuum, nitrogen, cooling fluids and emulsions. Diameters up to 4"



- Reduce cost of modifications
- Improve machine high tech look
- Longer life for pneumatic devices