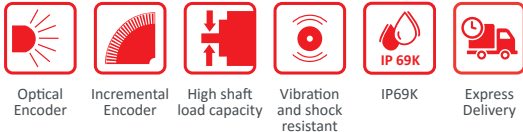


SERIE 10K INOX

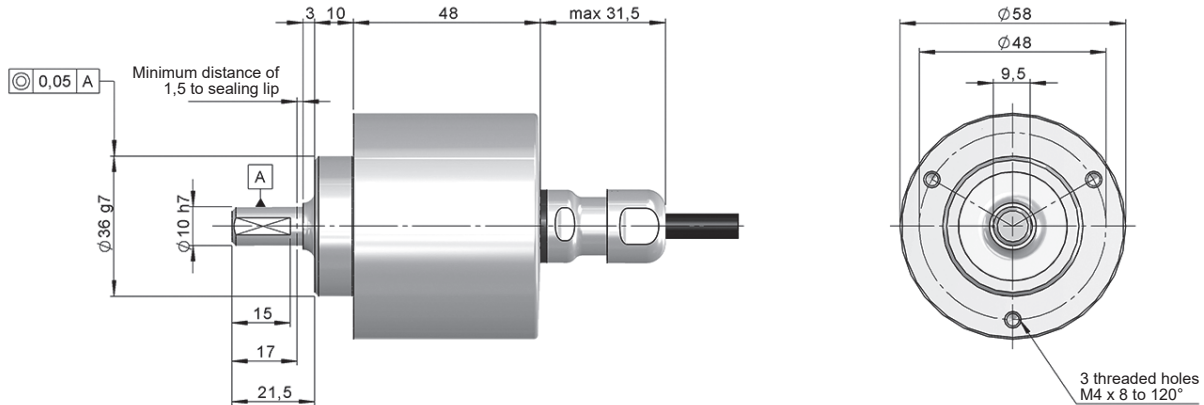
HIGH RESOLUTION INCREMENTAL SOLID SHAFT ENCODER FOR HEAVY DUTY INDUSTRIAL APPLICATIONS



- Resolution up to 50.000 pulses per turn
- External diameter 58 mm
- Shaft \varnothing 10 mm
- Specially designed for the food industry
- Protection class IP69K according to DIN EN 60529
- Connection by cable (other cable length available) appropriate for the food industry
- ECOLAB certification
- Designed according to EHEDG criteria



ECOLAB



Drawing shaft type 1, connection type 8, without flange

REFERENCE

Reference example: 10K-11289-1024

Serie	Shaft	Flange	Output signals	Connection	Power Supply / Electronic output	Pulses number	Special customer
10K -	<input type="checkbox"/>	<input type="checkbox"/>	<input type="checkbox"/>	<input type="checkbox"/>	<input type="checkbox"/> -	<input type="checkbox"/> <input type="checkbox"/> <input type="checkbox"/> <input type="checkbox"/> <input type="checkbox"/> <input type="checkbox"/>	<input type="checkbox"/> <input type="checkbox"/> <input type="checkbox"/> <input type="checkbox"/>
10K. Stainless Steel	1. \varnothing 10x20 mm (**)	1. None	1. A \tilde{A} +B \tilde{B} +O \tilde{O} 2. A \tilde{A} +B \tilde{B}	8. Axial cable	0. 11...30VDC / NPN Open collector 11...30VDC 6. 11...30VDC / RS422 5VDC (compatible TTL) 7. 5VDC / RS422 5VDC (compatible TTL) 9. 11...30VDC / Line driver differential Push-Pull 11...30VDC	(*)	

Order your reference Step file 3D

info@encoderhohner.com

service available in 24 h

(*) 10.000 to 50.000 pulses with interpolation. Available 10.000 direct optical pulses without interpolating upon request.

(**) Useful shaft surface, max. 17 mm.



SERIE 10K INOX

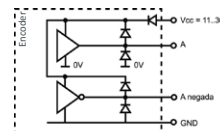
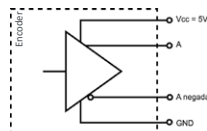
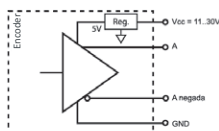
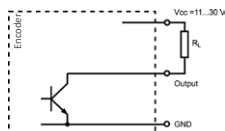
HIGH RESOLUTION INCREMENTAL SOLID SHAFT ENCODER FOR HEAVY DUTY INDUSTRIAL APPLICATIONS

IP69K

MECHANICAL SPECIFICATIONS

Materials	Cover: Stainless Steel AISI316 Housing: Stainless Steel AISI316 Shaft: Stainless Steel AISI316 Cable: TPE
Bearings	Ballraces
Bearings lifetime	1x10 ⁹ rev.
Maximum number of revolutions permitted mechanically	3600 rpm
Protection against dust and splashes according to DIN EN 60529	IP69K
Rotor inertia moment	30 gcm ²
Starting torque at 20°C (68°F)	≤ 0,02 Nm aprox.
Maximum load permitted on axial shaft	100 N
Maximum load permitted on radial shaft	100 N
Weight aprox.	0,7 Kg
Operating temperature range	-20°C to +80°C - Standard
Vibration according to DIN EN 60068-2-6	100 m/s ² (10Hz...2000Hz)
Shock according to DIN EN 60068-2-27	1000 m/s ² (6ms)
Maximum pulses per turn	50.000
Axial connection	2 meters cable (other cable lengths available on order)

OUTPUT SIGNALS



OUTPUT CIRCUIT	NPN Open Collector	RS422 (TTL compatible)	RS422 (TTL compatible)	Push-Pull Differential
Reference code	0	6	7	9
Power supply	11...30 VDC	11...30 VDC	5 VDC ±5%	11...30 VDC
Output voltage	11...30 VDC	5 VDC	5 VDC	11...30 VDC
Consumption	40 mA	Typical: 80 mA Max: 160 mA	Typical: 70 mA Max: 150 mA	Typical: 45 mA Max: 150 mA
Max. load capability / channel	40 mA	±20 mA	±20 mA	±30 mA
Length of cable allowed	50 m (24 VDC)	1200 m	1200 m	100 m
"Low" signal level	VOL < 0.4 VDC (24 VDC)	VOL < 0.5 VDC	VOL < 0.5 VDC	VOL < 2.5 VDC
"High" signal level	VOH > 2.2 VDC (24 VDC)	VOH > 2.5 VDC	VOH > 2.5 VDC	VOH > VCC - 3 VDC
Frequency	100 kHz	300 kHz	300 kHz	200 kHz
Short circuit protection	Not permanent	Yes	Yes	Yes
Protection polarity inversion	Yes	Yes	No	Yes

Channel B leads (90° electric) channel A, view from the shaft, shaft rotating clockwise

SERIE 10K INOX

HIGH RESOLUTION INCREMENTAL SOLID SHAFT ENCODER FOR
HEAVY DUTY INDUSTRIAL APPLICATIONS

IP69K

CONNECTION



	95.0008069 Cable TPE 4x2x0,14
GND	Brown-White
VCC	Brown
A	Green
B	Blue
\tilde{A}	Green-White
\tilde{B}	Blue-White
0 (reference)	Orange
$\tilde{0}$	Orange-White