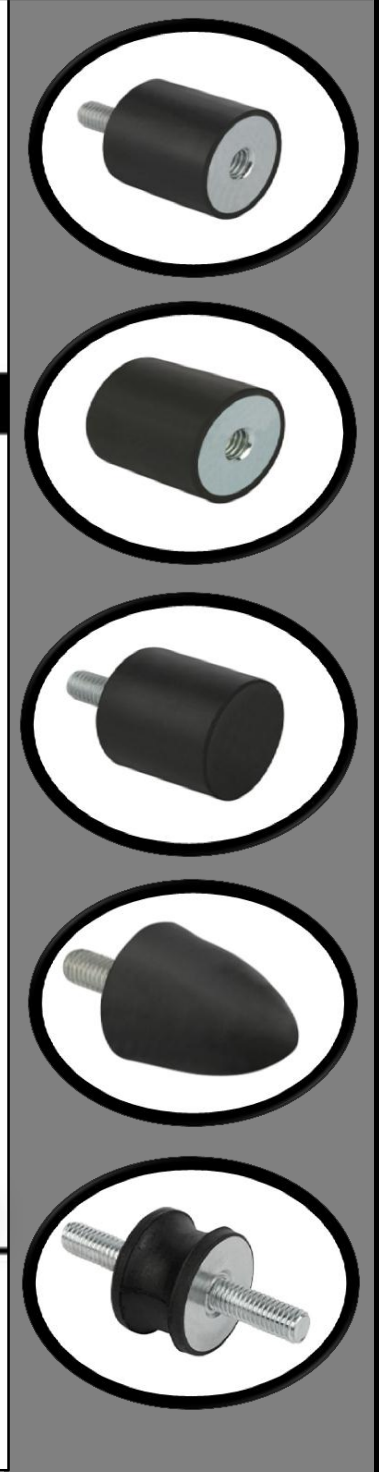




DORUKMAK

Makine Ins. Nak. San. ve Dış Tic. Ltd. Şti





Material: : NR (Natural Rubber)
(NBR, SBR, EPDM, SILICONE also available)

Metal: : Zinc Coated

Hardness: : 55±5 Shore A

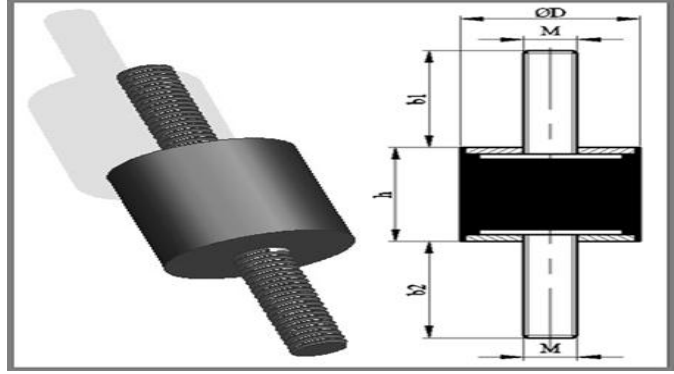
On Demand Hardness: : 35-90 Shore A

Tolerance: : DIN 7715 M3

Temperature Resistance: : -20°C /+80°C

Working Dimensions: : Ø08 - Ø200 mm

Other specs out of above standards are also available.



DORUKMAK REFERENCE	ØD	h	M	b1	b2
DA 1010	10	10	4	10	10
DA 1508	15	8	4	10	10
DA 1510	15	10	4	10	10
DA 1515	15	15	4	10	10
DA 1520	15	20	4	10	10
DA 2008	20	8	6	15	15
DA 2010	20	10	6	15	15
DA 2015	20	15	6	15	15
DA 2020	20	20	6	15	15
DA 2025	20	25	6	15	15
DA 2510	25	10	6	18	18
DA 2515	25	15	6	18	18
DA 2520	25	20	6	18	18
DA 2523	25	23	6	18	18
DA 2525	25	25	6	18	18
DA 2530	25	30	6	18	18
DA 3008	30	8	8	20	20
DA 3015	30	15	8	20	20
DA 3017	30	17	8	20	20
DA 3020	30	20	8	20	20
DA 3025	30	25	8	20	20
DA 3030	30	30	8	20	20
DA 3040	30	40	8	20	20
DA 4020	40	20	8	20	20
DA 4025	40	25	8	20	20
DA 4027	40	27	8	20	20
DA 4028	40	28	8	20	20
DA 4030	40	30	8	20	20
DA 4040	40	40	8	20	20
DA 4525	45	25	8	20	20
DA 4535	45	35	10	28	28
DA 5020	50	20	10	28	28



Material: : NR (Natural Rubber)
(NBR, SBR, EPDM, SILICONE also available)

Metal: : Zinc Coated

Hardness: : 55±5 Shore A

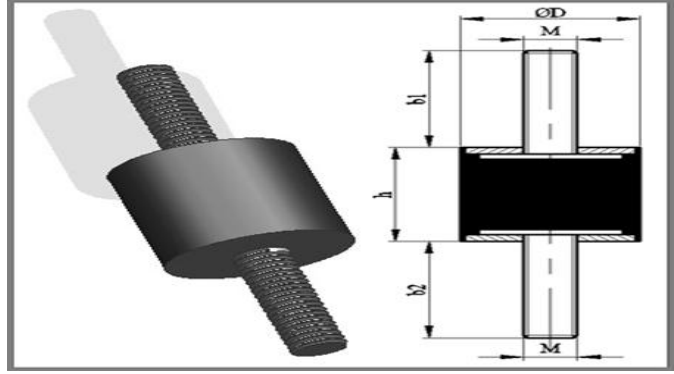
On Demand Hardness: : 35-90 Shore A

Tolerance: : DIN 7715 M3

Temperature Resistance: : -20°C /+80°C

Working Dimensions: : Ø08 - Ø200 mm

Other specs out of above standards are also available.



DORUKMAK REFERENCE	ØD	h	M	b1	b2
DA 5025	50	25	10	28	28
DA 5030	50	30	10	28	28
DA 5035	50	35	10	28	28
DA 5040	50	40	10	28	28
DA 5042	50	42	10	28	28
DA 5045	50	45	10	28	28
DA 5050	50	50	10	28	28
DA 6030	60	30	12	32	32
DA 6040	60	40	12	32	32
DA 7035	70	35	12	37	37
DA 7040	70	40	12	37	37
DA 7045	70	45	12	37	37
DA 7525	75	25	12	37	37
DA 7530	75	30	12	37	37
DA 7540	75	40	12	37	37
DA 7545	75	45	12	37	37
DA 7550	75	50	12	37	37
DA 7555	75	55	12	37	37
DA 10030	100	30	16	42	42
DA 10040	100	40	16	42	42
DA 10050	100	50	16	42	42
DA 10055	100	55	16	42	42
DA 10060	100	60	16	42	42
DA 10075	100	75	16	42	42
DA 15045	150	45	16	42	42
DA 15050	150	50	16	42	42
DA 15055	150	55	16	42	42
DA 15060	150	60	16	42	42



Material: : NR (Natural Rubber)
(NBR, SBR, EPDM, SILICONE also available)

Metal: : Zinc Coated

Hardness: : 55±5 Shore A

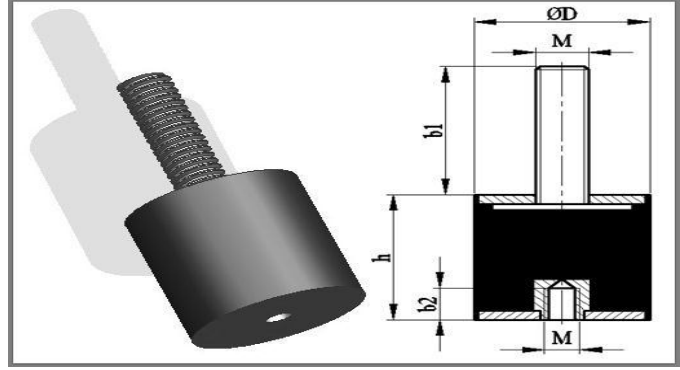
On Demand Hardness: : 35-90 Shore A

Tolerance: : DIN 7715 M3

Temperature Resistance: : -20°C /+80°C

Working Dimensions: : Ø08 - Ø200 mm

Other specs out of above standards are also available.



DORUKMAK REFERENCE	ØD	h	M	b1	b2
DB 1010	10	10	4	10	4
DB 1508	15	8	4	10	4
DB 1510	15	10	4	10	4
DB 1515	15	15	4	10	4
DB 1520	15	20	4	10	4
DB 2008	20	8	6	15	6
DB 2010	20	10	6	15	6
DB 2015	20	15	6	15	6
DB 2020	20	20	6	15	6
DB 2025	20	25	6	15	6
DB 2510	25	10	6	18	6
DB 2515	25	15	6	18	6
DB 2520	25	20	6	18	6
DB 2523	25	23	6	18	6
DB 2525	25	25	6	18	6
DB 2530	25	30	6	18	6
DB 3008	30	8	8	20	8
DB 3015	30	15	8	20	8
DB 3017	30	17	8	20	8
DB 3020	30	20	8	20	8
DB 3025	30	25	8	20	8
DB 3030	30	30	8	20	8
DB 3040	30	40	8	20	8
DB 4020	40	20	8	20	8
DB 4025	40	25	8	20	8
DB 4027	40	27	8	20	8
DB 4028	40	28	8	20	8
DB 4030	40	30	8	20	8
DB 4040	40	40	8	20	8
DB 4525	45	25	8	20	8
DB 4535	45	35	10	28	10
DB 5020	50	20	10	28	10



Material: : NR (Natural Rubber)
(NBR, SBR, EPDM, SILICONE also available)

Metal: : Zinc Coated

Hardness: : 55±5 Shore A

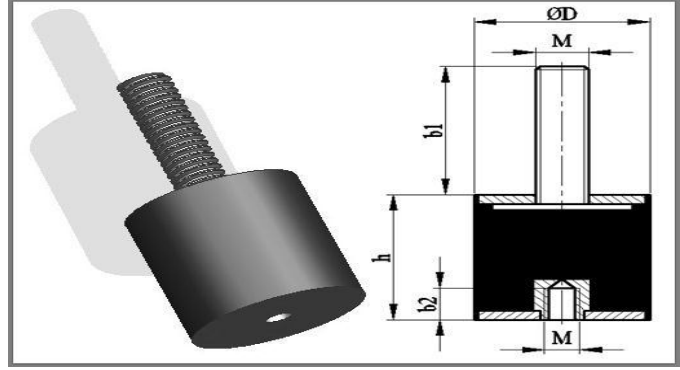
On Demand Hardness: : 35-90 Shore A

Tolerance: : DIN 7715 M3

Temperature Resistance: : -20°C /+80°C

Working Dimensions: : Ø08 - Ø200 mm

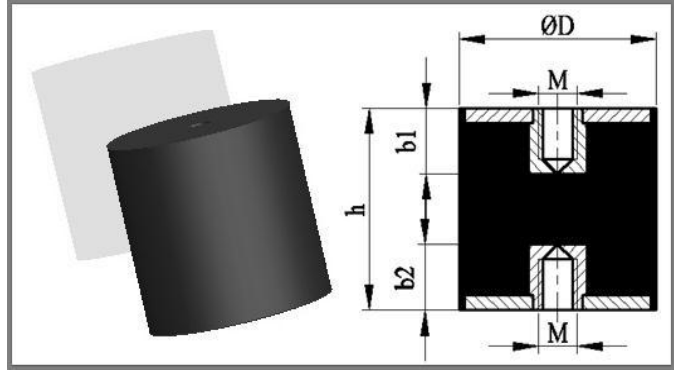
Other specs out of above standards are also available.



DORUKMAK REFERENCE	ØD	h	M	b1	b2
DB 5025	50	25	10	28	10
DB 5030	50	30	10	28	10
DB 5035	50	35	10	28	10
DB 5040	50	40	10	28	10
DB 5042	50	42	10	28	10
DB 5045	50	45	10	28	10
DB 5050	50	50	10	28	10
DB 6030	60	30	12	32	12
DB 6040	60	40	12	32	12
DB 7035	70	35	12	37	12
DB 7040	70	40	12	37	12
DB 7045	70	45	12	37	12
DB 7525	75	25	12	37	12
DB 7530	75	30	12	37	12
DB 7540	75	40	12	37	12
DB 7545	75	45	12	37	12
DB 7550	75	50	12	37	12
DB 7555	75	55	12	37	12
DB 10030	100	30	16	42	16
DB 10040	100	40	16	42	16
DB 10050	100	50	16	42	16
DB 10055	100	55	16	42	16
DB 10060	100	60	16	42	16
DB 10075	100	75	16	42	16
DB 15045	150	45	16	42	16
DB 15050	150	50	16	42	16
DB 15055	150	55	16	42	16
DB 15060	150	60	16	42	16



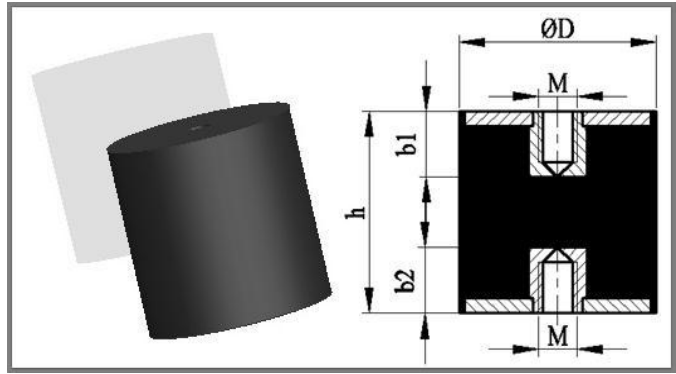
Material: : NR (Natural Rubber)
 (NBR, SBR, EPDM, SILICONE also available)
Metal: : Zinc Coated
Hardness: : 55±5 Shore A
On Demand Hardness: : 35-90 Shore A
Tolerance: : DIN 7715 M3
Temperature Resistance: : -20°C /+80°C
Working Dimensions: : Ø08 - Ø200 mm
Other specs out of above standards are also available.



DORUKMAK REFERENCE	ØD	h	M	b1	b2
DC 1515	15	15	4	4	4
DC 1520	15	20	4	4	4
DC 2010	20	10	6	6	6
DC 2015	20	15	6	6	6
DC 2020	20	20	6	6	6
DC 2025	20	25	6	6	6
DC 2515	25	15	6	6	6
DC 2520	25	20	6	6	6
DC 2523	25	23	6	6	6
DC 2525	25	25	6	6	6
DC 2530	25	30	6	6	6
DC 3015	30	15	8	8	8
DC 3020	30	20	8	8	8
DC 3025	30	25	8	8	8
DC 3030	30	30	8	8	8
DC 3040	30	40	8	8	8
DC 4020	40	20	8	8	8
DC 4025	40	25	8	8	8
DC 4027	40	27	8	8	8
DC 4028	40	28	8	8	8
DC 4030	40	30	8	8	8
DC 4040	40	40	8	8	8
DC 4525	45	25	8	8	8
DC 4535	45	35	10	10	10
DC 5020	50	20	10	10	10
DC 5025	50	25	10	10	10
DC 5030	50	30	10	10	10
DC 5035	50	35	10	10	10
DC 5040	50	40	10	10	10
DC 5042	50	42	10	10	10
DC 5045	50	45	10	10	10
DC 5050	50	50	10	10	10

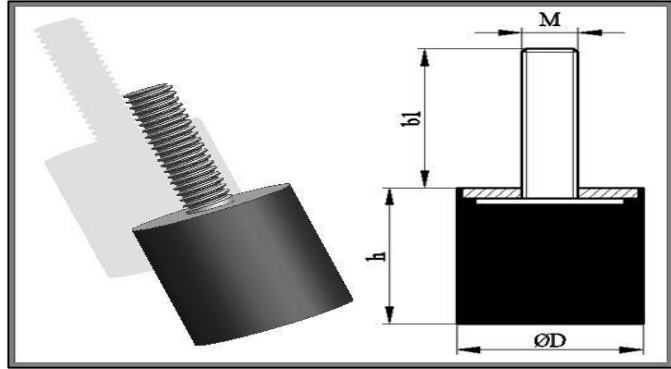


- Material:** : NR (Natural Rubber)
(NBR, SBR, EPDM, SILICONE also available)
- Metal:** : Zinc Coated
- Hardness:** : 55±5 Shore A
- On Demand Hardness:** : 35-90 Shore A
- Tolerance:** : DIN 7715 M3
- Temperature Resistance:** : -20°C / +80°C
- Working Dimensions:** : Ø08 - Ø200 mm
- Other specs out of above standards are also available.*



DORUKMAK REFERENCE	ØD	h	M	b1	b2
DC 6030	60	30	12	12	12
DC 6040	60	40	12	12	12
DC 7040	70	40	12	12	12
DC 7525	75	25	12	12	12
DC 7530	75	30	12	12	12
DC 7540	75	40	12	12	12
DC 7545	75	45	12	12	12
DC 7550	75	50	12	12	12
DC 7555	75	55	12	12	12
DC 10030	100	30	16	16	16
DC 10050	100	50	16	16	16
DC 10055	100	55	16	16	16
DC 10060	100	60	16	16	16
DC 15045	150	45	16	16	16
DC 15050	150	50	16	16	16
DC 15055	150	55	16	16	16
DC 15060	150	60	16	16	16

Material: : NR (Natural Rubber)
 (NBR, SBR, EPDM, SILICONE also available)
Metal: : Zinc Coated
Hardness: : 55±5 Shore A
On Demand Hardness: : 35-90 Shore A
Tolerance: : DIN 7715 M3
Temperature Resistance: : -20°C /+80°C
Working Dimensions: : Ø08 - Ø200 mm
Other specs out of above standards are also available.



DORUKMAK REFERENCE	ØD	h	M	b1
DD 1010	10	10	4	10
DD 1508	15	8	4	10
DD 1510	15	10	4	10
DD 1515	15	15	4	10
DD 1520	15	20	4	10
DD 2008	20	8	6	15
DD 2010	20	10	6	15
DD 2015	20	15	6	15
DD 2020	20	20	6	15
DD 2025	20	25	6	15
DD 2510	25	10	6	18
DD 2515	25	15	6	18
DD 2520	25	20	6	18
DD 2523	25	23	6	15
DD 2525	25	25	6	18
DD 2530	25	30	6	18
DD 3008	30	8	8	20
DD 3015	30	15	8	20
DD 3017	30	17	8	20
DD 3020	30	20	8	20
DD 3025	30	25	8	20
DD 3030	30	30	8	20
DD 3040	30	40	8	20
DD 4020	40	20	8	20
DD 4025	40	25	8	20
DD 4027	40	27	8	20
DD 4028	40	28	8	20
DD 4030	40	30	8	20
DD 4040	40	40	8	20
DD 4525	45	25	8	20
DD 4535	45	35	10	28
DD 5020	50	20	10	28

Material: : NR (Natural Rubber)
(NBR, SBR, EPDM, SILICONE also available)

Metal: : Zinc Coated

Hardness: : 55±5 Shore A

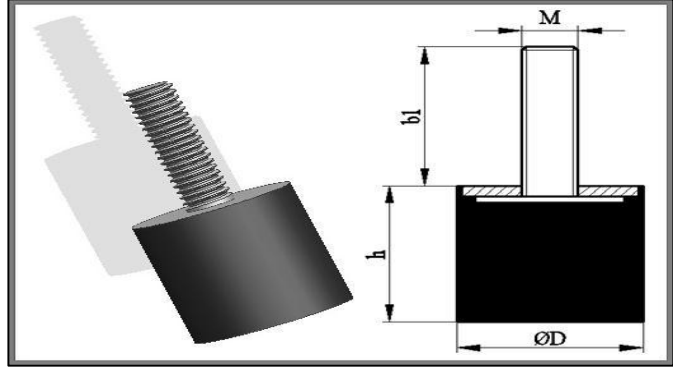
On Demand Hardness: : 35-90 Shore A

Tolerance: : DIN 7715 M3

Temperature Resistance: : -20°C /+80°C

Working Dimensions: : Ø08 - Ø200 mm

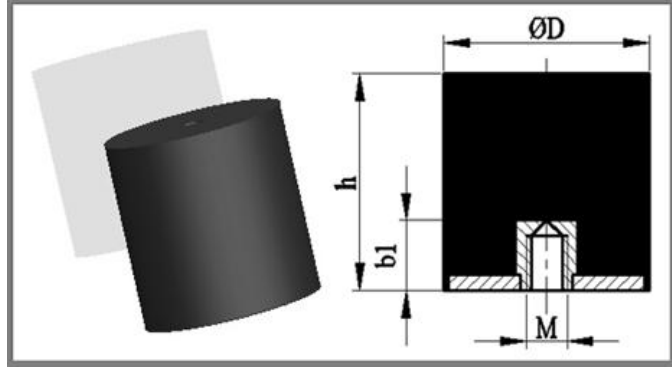
Other specs out of above standards are also available.



DORUKMAK REFERENCE	ØD	h	M	b1
DD 5025	50	25	10	28
DD 5030	50	30	10	28
DD 5035	50	35	10	28
DD 5040	50	40	10	28
DD 5042	50	42	10	28
DD 5045	50	45	10	28
DD 5050	50	50	10	28
DD 6030	60	30	12	32
DD 6040	60	40	12	32
DD 7035	70	35	12	37
DD 7040	70	40	12	37
DD 7045	70	45	12	37
DD 7525	75	25	12	37
DD 7530	75	30	12	37
DD 7540	75	40	12	37
DD 7550	75	50	12	37
DD 7555	75	55	12	37
DD 10030	100	30	16	42
DD 10040	100	40	16	42
DD 10050	100	50	16	42
DD 10055	100	55	16	42
DD 10060	100	60	16	42
DD 10075	100	75	16	42
DD 15045	150	45	16	42
DD 15050	150	50	16	42
DD 15055	150	55	16	42
DD 15060	150	60	16	42



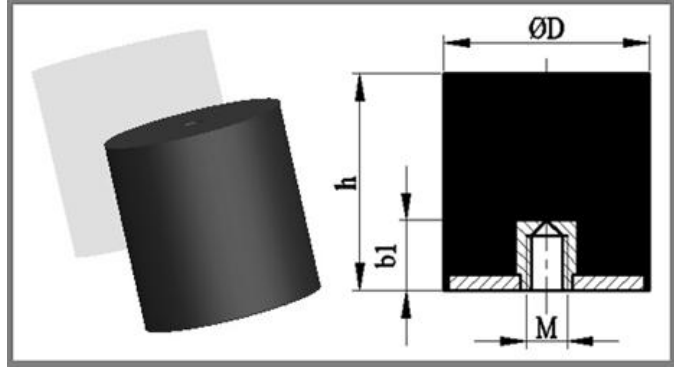
Material: : NR (Natural Rubber)
 (NBR, SBR, EPDM, SILICONE also available)
Metal: : Zinc Coated
Hardness: : 55±5 Shore A
On Demand Hardness: : 35-90 Shore A
Tolerance: : DIN 7715 M3
Temperature Resistance: : -20°C /+80°C
Working Dimensions: : Ø08 - Ø200 mm
Other specs out of above standards are also available.



DORUKMAK REFERENCE	ØD	h	M	b1
DE 1010	10	10	4	4
DE 1508	15	8	4	4
DE 1510	15	10	4	4
DE 1515	15	15	4	4
DE 1520	15	20	4	4
DE 2008	20	8	6	6
DE 2010	20	10	6	6
DE 2015	20	15	6	6
DE 2020	20	20	6	6
DE 2025	20	25	6	6
DE 2510	25	10	6	6
DE 2515	25	15	6	6
DE 2520	25	20	6	6
DE 2523	25	23	6	6
DE 2525	25	25	6	6
DE 2530	25	30	6	6
DE 3008	30	8	8	8
DE 3015	30	15	8	8
DE 3017	30	17	8	8
DE 3020	30	20	8	8
DE 3025	30	25	8	8
DE 3030	30	30	8	8
DE 3040	30	40	8	8
DE 4020	40	20	8	8
DE 4025	40	25	8	8
DE 4027	40	27	8	8
DE 4028	40	28	8	8
DE 4030	40	30	8	8
DE 4040	40	40	8	8
DE 4525	45	25	8	8
DE 4535	45	35	10	10
DE 5020	50	20	10	10



Material: : NR (Natural Rubber)
 (NBR, SBR, EPDM, SILICONE also available)
Metal: : Zinc Coated
Hardness: : 55±5 Shore A
On Demand Hardness: : 35-90 Shore A
Tolerance: : DIN 7715 M3
Temperature Resistance: : -20°C /+80°C
Working Dimensions: : Ø08 - Ø200 mm
Other specs out of above standards are also available.



DORUKMAK REFERENCE	ØD	h	M	b1
DE 5025	50	25	10	10
DE 5030	50	30	10	10
DE 5035	50	35	10	10
DE 5040	50	40	10	10
DE 5042	50	42	10	10
DE 5045	50	45	10	10
DE 5050	50	50	10	10
DE 6030	60	30	12	12
DE 6040	60	40	12	12
DE 7035	70	35	12	12
DE 7040	70	40	12	12
DE 7045	70	45	12	12
DE 7525	75	25	12	12
DE 7530	75	30	12	12
DE 7540	75	40	12	12
DE 7550	75	50	12	12
DE 7555	75	55	12	12
DE 10030	100	30	16	16
DE 10040	100	40	16	16
DE 10050	100	50	16	16
DE 10055	100	55	16	16
DE 10060	100	60	16	16
DE 10075	100	75	16	16
DE 15045	150	45	16	16
DE 15050	150	50	16	16
DE 15055	150	55	16	16
DE 15060	150	60	16	16

Material: : NR (Natural Rubber)
(NBR, SBR, EPDM, SILICONE also available)

Metal: : Zinc Coated

Hardness: : 55±5 Shore A

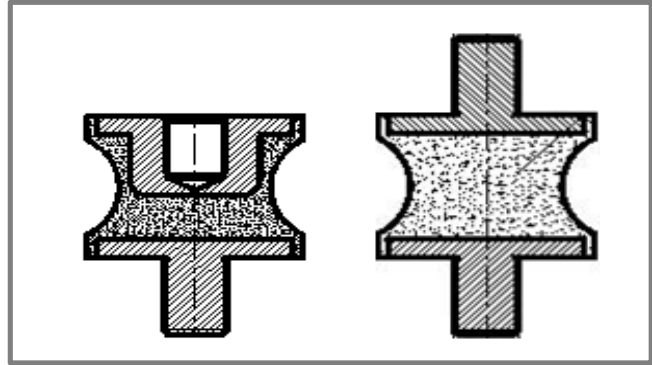
On Demand Hardness: : 35-90 Shore A

Tolerance: : DIN 7715 M3

Temperature Resistance: : -20°C /+80°C

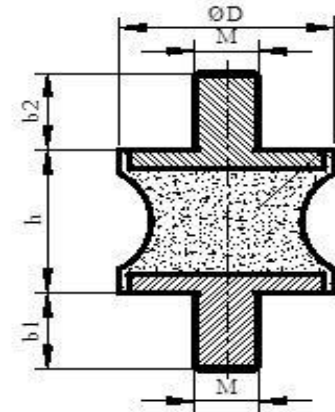
Working Dimensions: : Ø08 - Ø200 mm

Other specs out of above standards are also available.



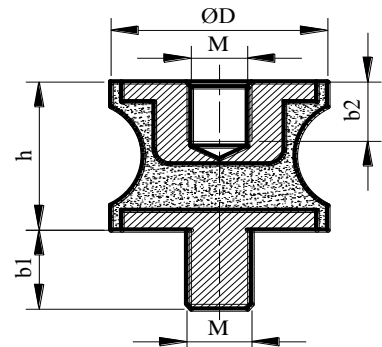
DORUKMAK REFERENCE	ØD	h	M	b1	b2
DAT 1010	10	10	4	10	10
DAT 2015	20	15	6	18	18
DAT 4030	40	30	8	27	27
DAT 4537	45	37	8	27	27

DAT

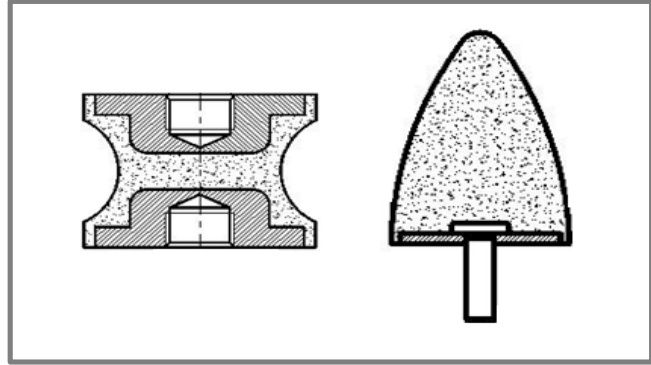


DORUKMAK REFERENCE	ØD	h	M	b1	b2
DBT 1010	10	10	4	10	4
DBT 2015	20	15	6	18	6
DBT 4030	40	30	8	27	8
DBT 4537	45	37	8	27	8

DBT



Material: : NR (Natural Rubber)
 (NBR, SBR, EPDM, SILICONE also available)
Metal: : Zinc Coated
Hardness: : 55±5 Shore A
On Demand Hardness: : 35-90 Shore A
Tolerance: : DIN 7715 M3
Temperature Resistance: : -20°C /+80°C
Working Dimensions: : Ø08 - Ø200 mm
Other specs out of above standards are also available.


DORUKMAK REFERENCE
ØD
h
M
b1

DCT 2015

20

15

6

6

DCT 4030

40

30

8

8

DCT 4537

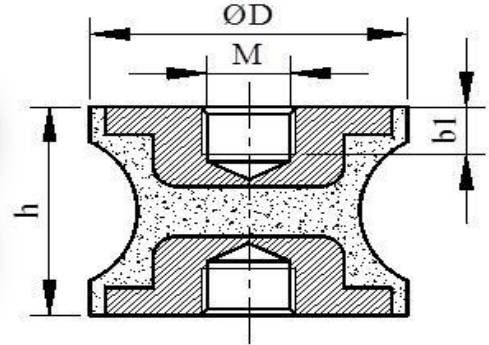
45

37

8

8

DCT


DORUKMAK REFERENCE
ØD
h
b1
b2

DDP 2517

25

17

6

18

DDP 3036

30

36

8

20

DDP 5058

50

58

10

28

DDP 5067

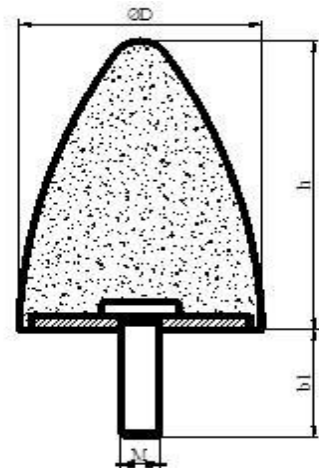
50

67

10

28

DDP



Material: : NR (Natural Rubber)
(NBR, SBR, EPDM, SILICONE also available)

Metal: : Zinc Coated

Hardness: : 55±5 Shore A

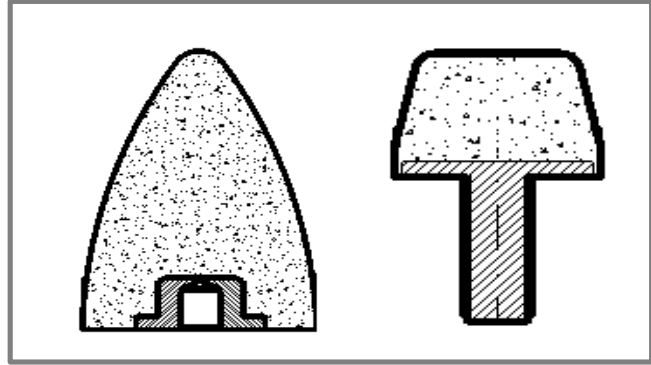
On Demand Hardness: : 35-90 Shore A

Tolerance: : DIN 7715 M3

Temperature Resistance: : -20°C /+80°C

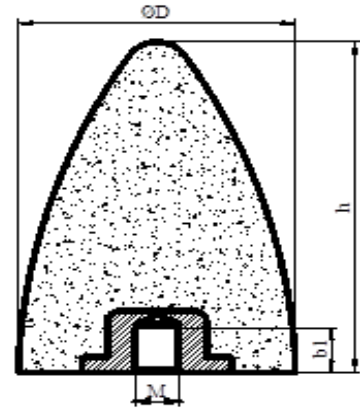
Working Dimensions: : Ø08 - Ø200 mm

Other specs out of above standards are also available.



DORUKMAK REFERENCE	ØD	h	M	b1
DEP 2517	25	17	6	6
DEP 3036	30	36	8	8
DEP 5058	50	58	10	10
DEP 5067	50	67	12	12

DEP



DORUKMAK REFERENCE	ØD	h	M	b1
DKD 2517	25	17	6	18
DKD 5018	50	18	10	28

DKD

