

D B C DeBulCo
BULGARIEN



DeBulCo is a Bulgarian company specialized in designing and manufacturing of metal products for the industry, POS display stands and shop fittings.

DeBulCo is established in 1997.

Process control and resource planning

- DeBulCo has several ISO certifications:



9001:2015

Quality
Management
System



14001:2015

Environmental
Management
System



50001

Energy
Management
System

- DeBulCo has integrated the powerful SAP for HANA ERP software.





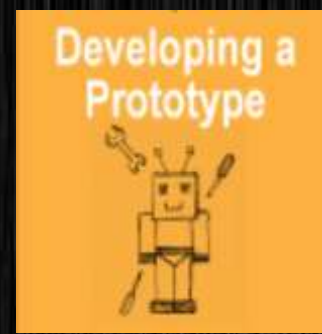
Advising the customer



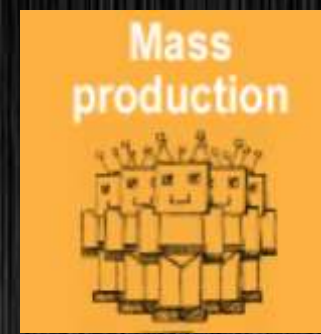
Conceptual design



Design and development



Developing a Prototype



Mass production

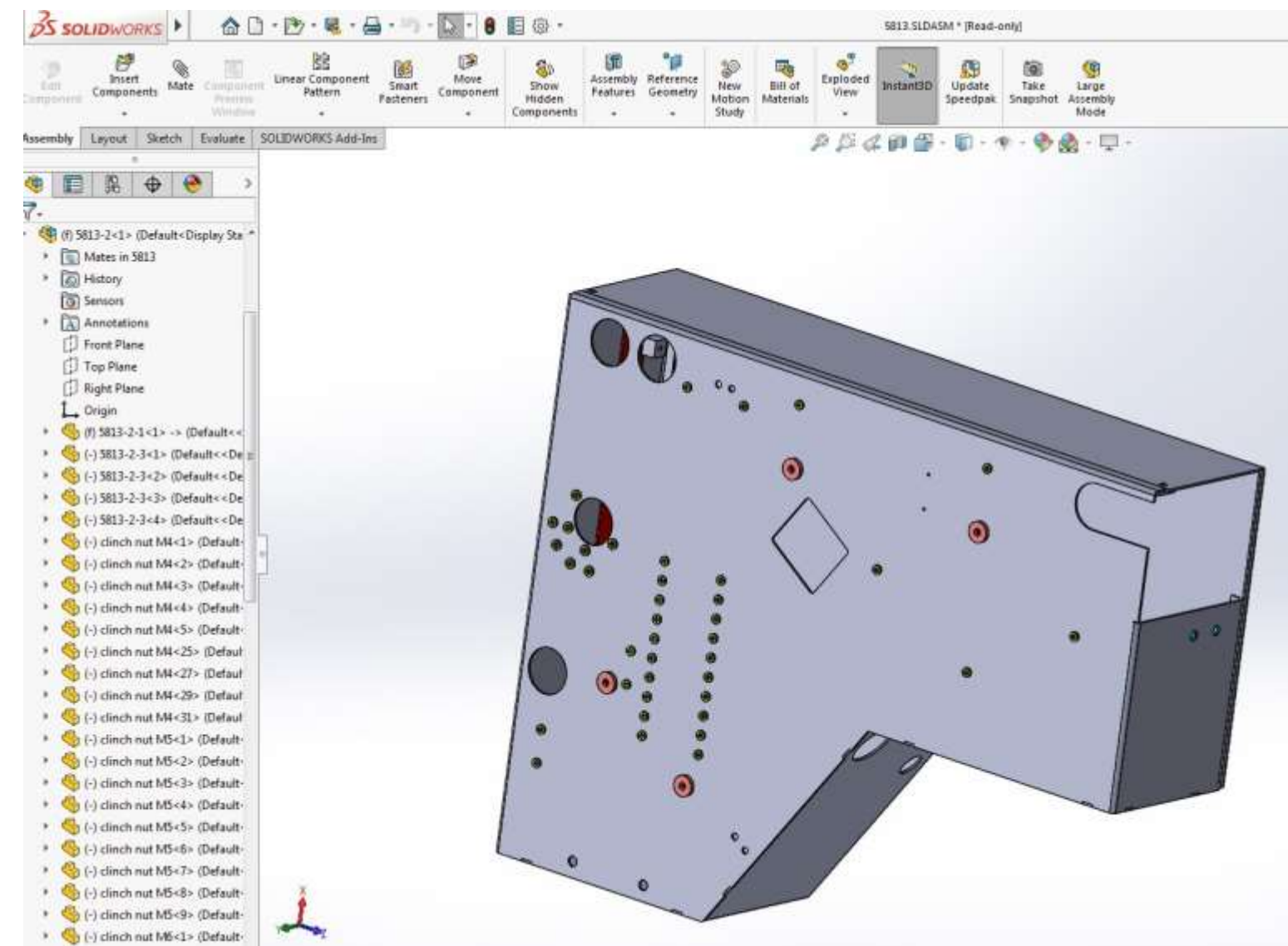


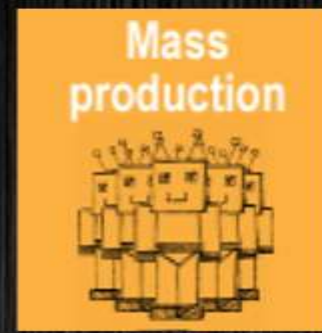
Delivery



Research & Development

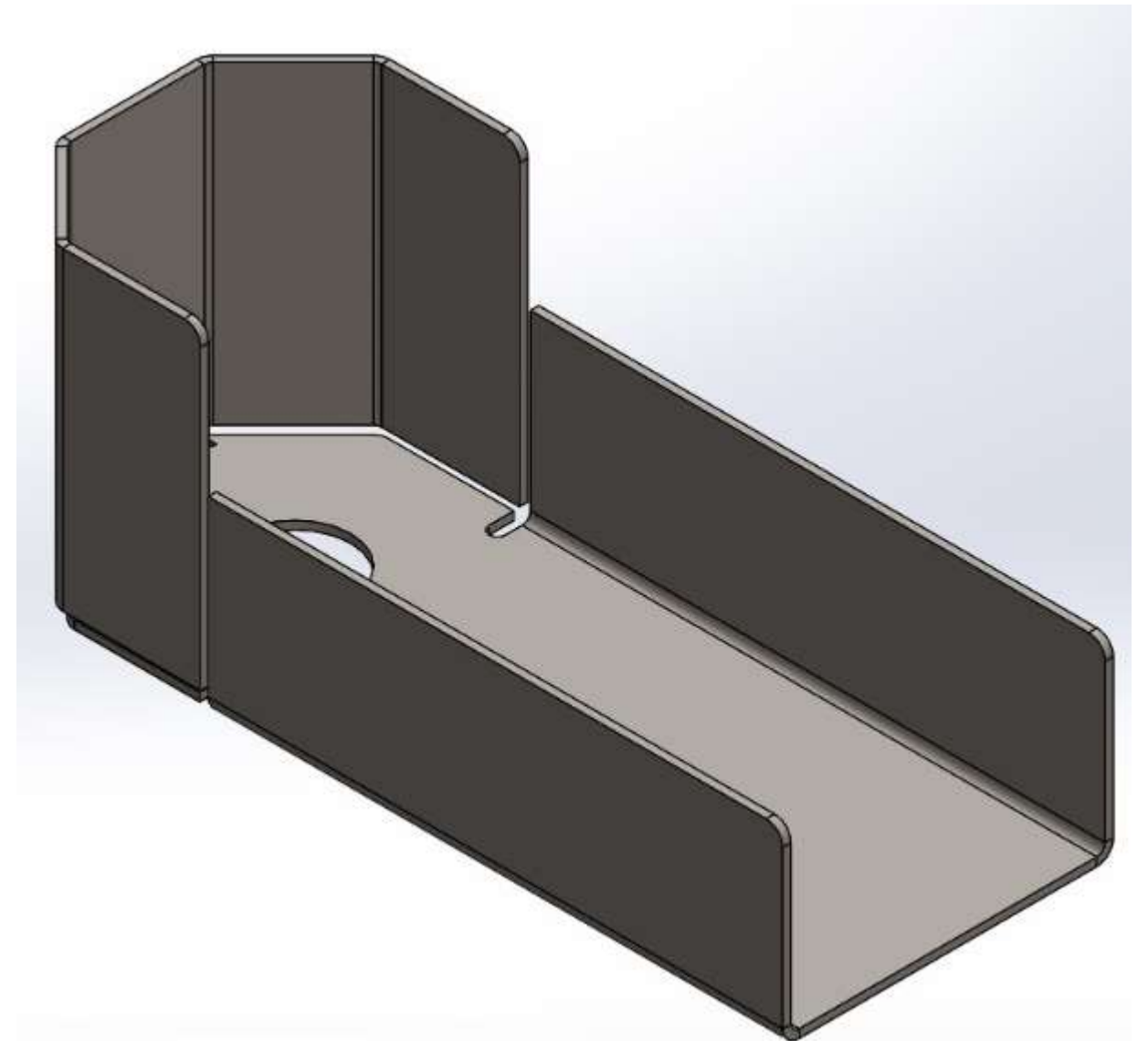
- ❑ DeBulCo has six Solid Works working stations which ensure an optimal individual solution to the needs of every customer.
- ❑ DeBulCo engineers develop technical drawings for each project in details according to the technical production capabilities and outline the production cycle, the assembly of the respective item and its delivery.

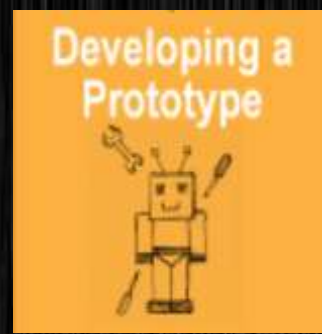
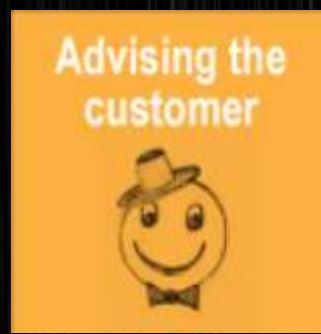




Developing a prototype

- The team of specialists in DeBulCo produces the first pilot unit of the new product to present it to the customer for approval.
- If necessary, corrections are made and parts of the product are improved to meet the customer's requirements.





Production

Cutting and Bending

Wire Tubes/Profiles Sheet

Welding and Grinding

Powder Coating

Quality Control

Advising the customer



Conceptual design



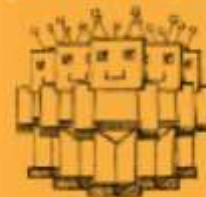
Design and development



Developing a Prototype



Mass production



Delivery



Sheet



Laser Cutting

The most modern laser cutting machine made by BYSTRONIC (CH), model 3015/4.4 k.W.



Punching

Digital punching machine, model TRUMPF – TruPunch 1000, with possibilities for processing sheet metal items measuring up to 2500 X 1280 mm in size and from 0.5 mm to 6.4 mm in thickness.



Sheet Bending

Our production facility is equipped with an advanced sheet-bending machine TRUMPF with a maximum bending length of 3000mm and force of 130t.

Advising the customer



Conceptual design



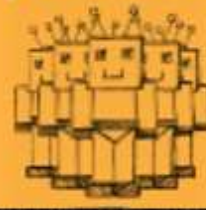
Design and development



Developing a Prototype



Mass production

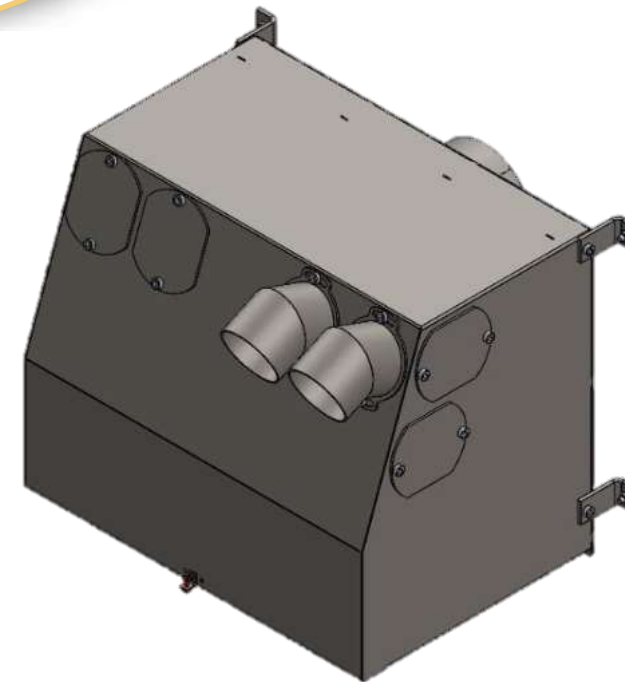
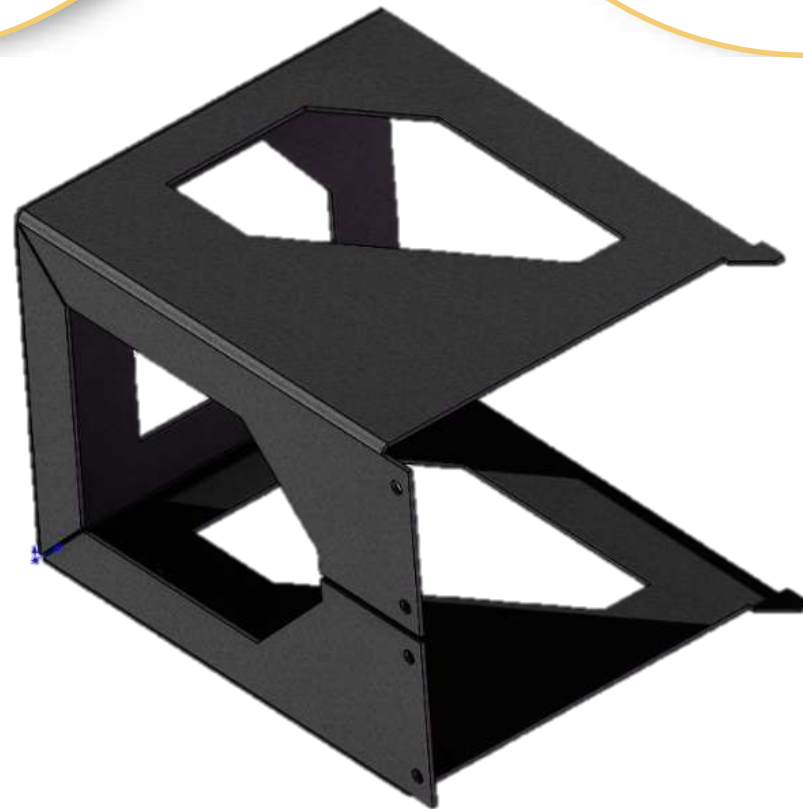
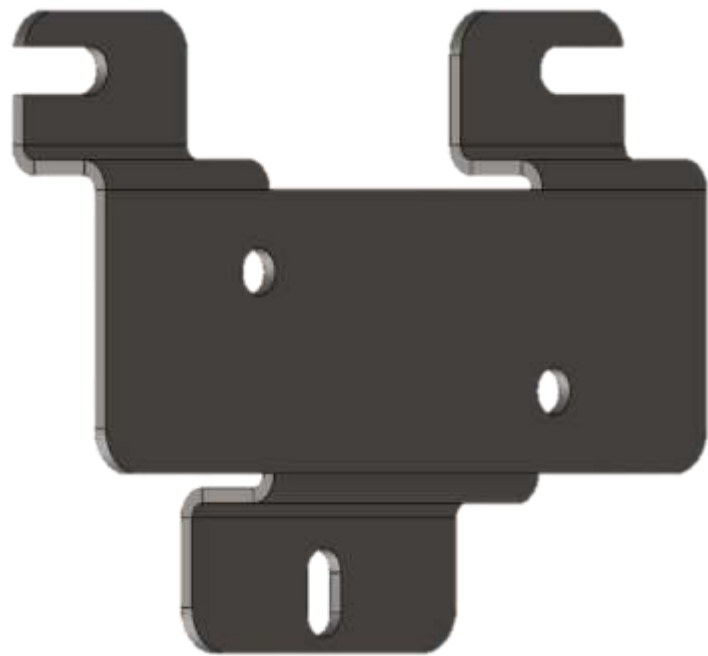
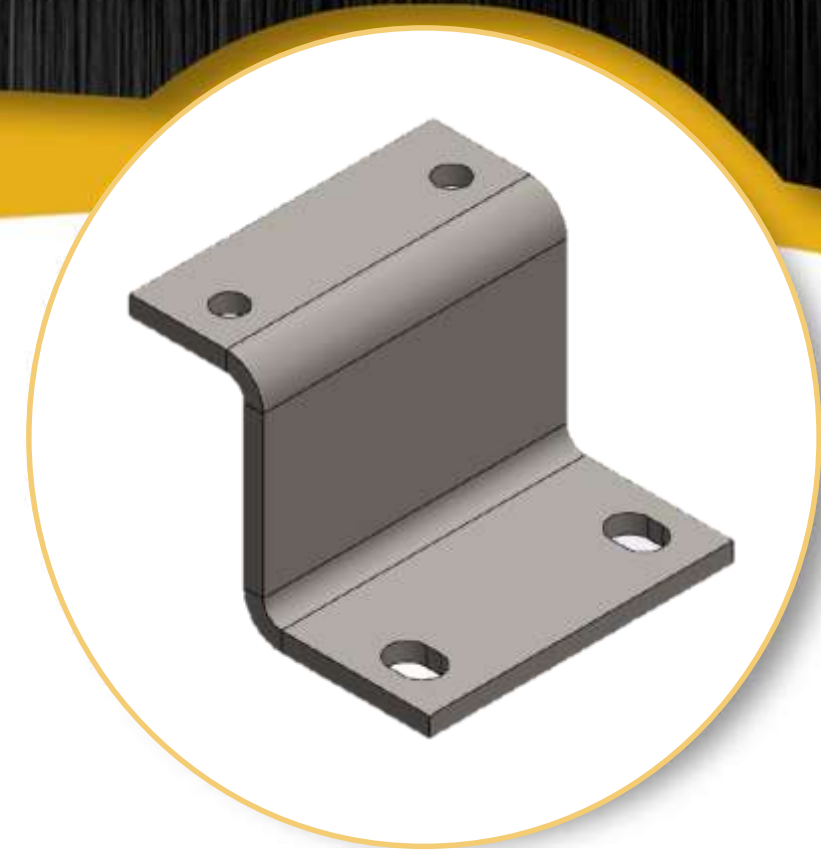
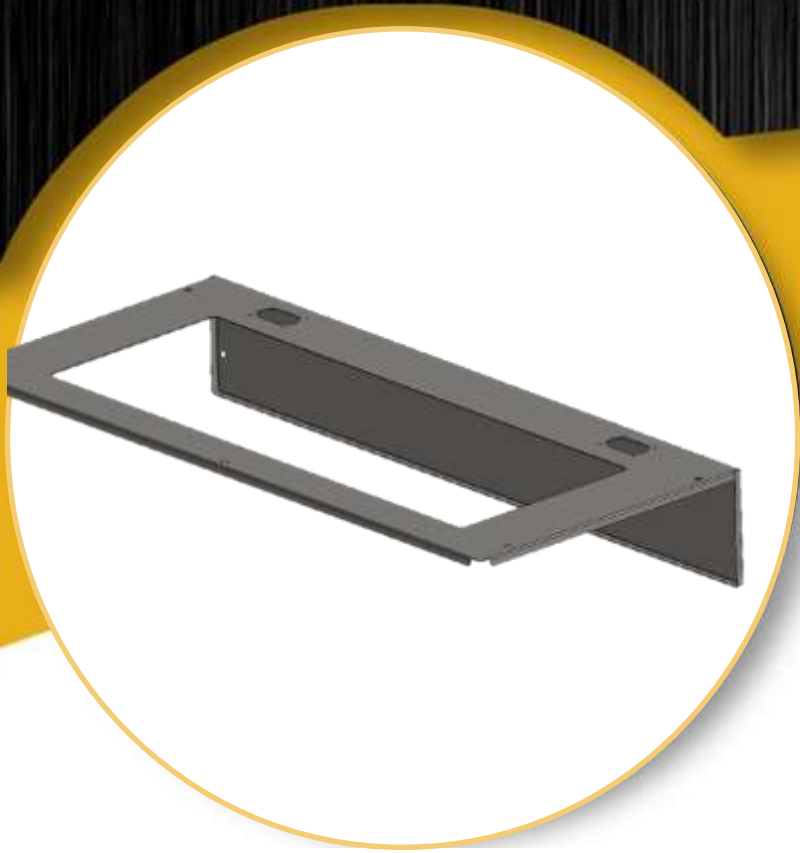


Delivery



D **B** **C**

Sheet



Advising the customer



Conceptual design



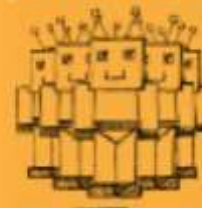
Design and development



Developing a Prototype



Mass production



Delivery



Tubes/Profiles



The brand new tube laser is fully automated, a LT Fiber model of the leading Italian manufacturer BLM. It enables cutting of complex holes and manufacturing of high-tech profile constructions.

Advising the customer



Conceptual design



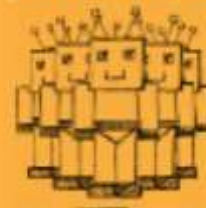
Design and development



Developing a Prototype



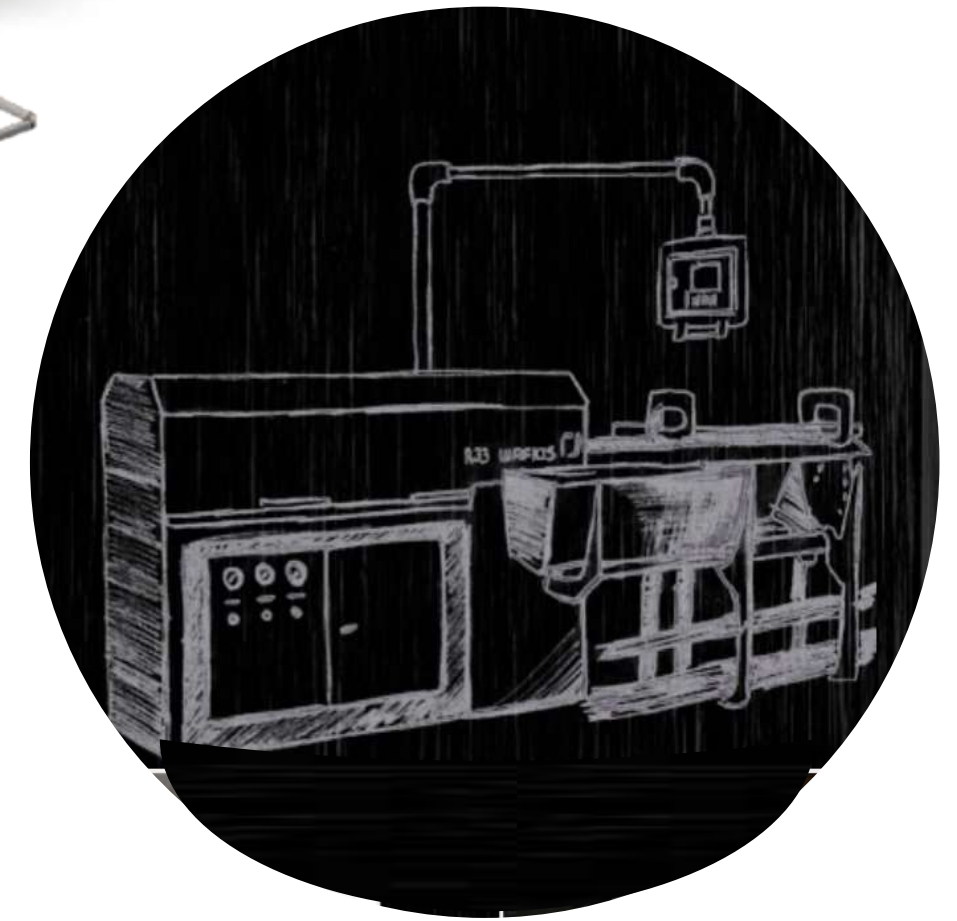
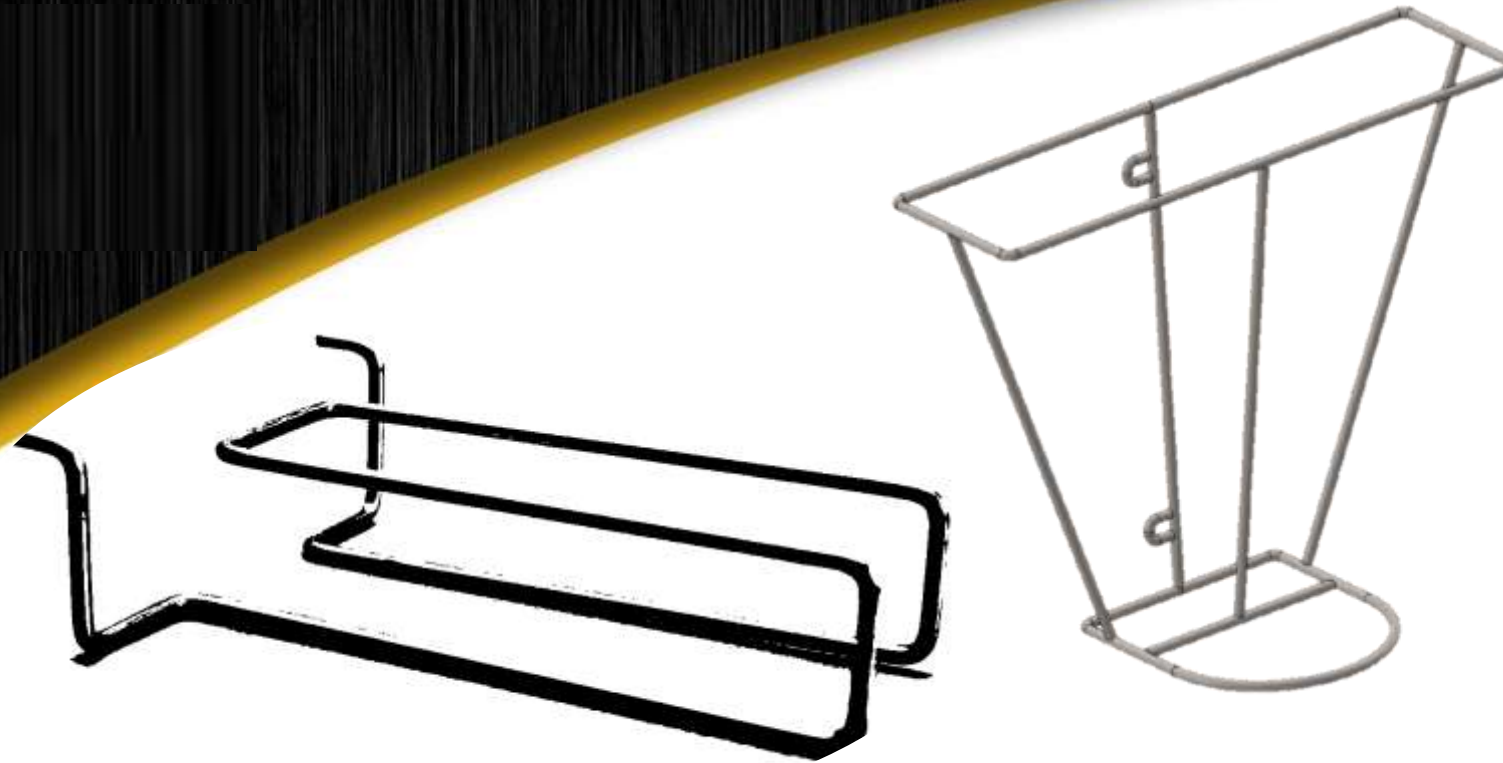
Mass production



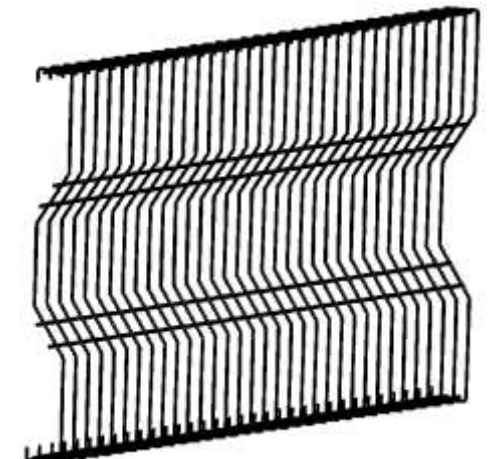
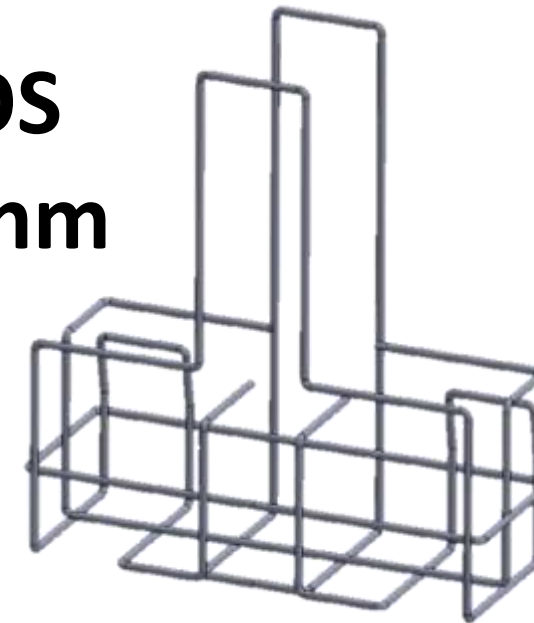
Delivery



Wire



- ❑ CNC 3D wire-bending machine, model WAFIOS BMU4, for bending wire from $\varnothing 2$ mm to $\varnothing 8$ mm
- ❑ Digital wire-straightening machine, model WAFIOS-R33



Advising the customer



Conceptual design



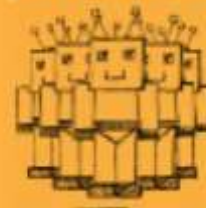
Design and development



Developing a Prototype



Mass production



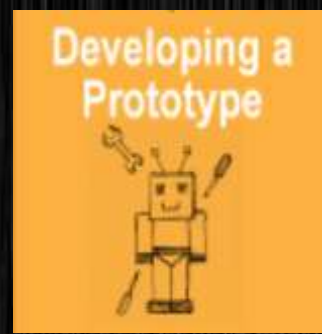
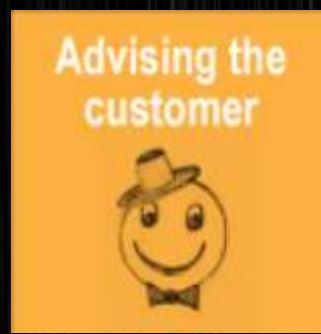
Delivery



Welding



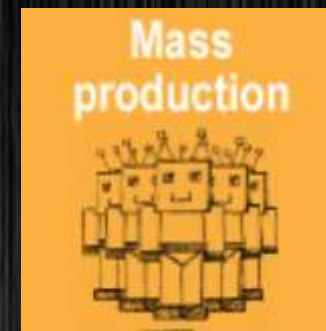
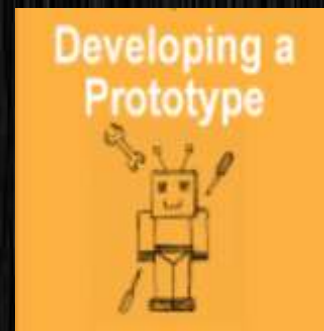
- ❑ **MIG/TIG robotized welding /*Fanuc*/**
- ❑ **CNC JIG resistant welding /*Ideal*/** (wire and sheet metal products)
- ❑ **Mesh welding machine /*Schlatter*/**(meshes, grids, wire baskets, etc.)



Powder Coating



The modern conveyer line for powder coating of items GEMA, with maximum dimensions 2500 x 1200 x 800 mm enhances the performance and guarantees the high quality of powder coating.



Quality control



New testing and measuring laboratory - 3D inspection of components:

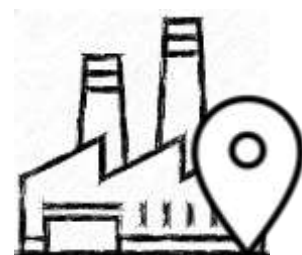
- measuring equipment, such as the Mitutoyo Quick Scope QS-250Z visual measuring machine, which includes a color camera, a working table up to 5 μm accuracy, automatic drive, measuring range 200 x 250 x 100 mm etc.**

Contacts



**Office
adress:**

**260 Botevgradsko Shose
1839 Sofia, Bulgaria**



**Production
adress:**

**Str. Serdika 1
2139 Musachevo, Bulgaria**



Phone:

+359 2 945 44 00



Fax:

+359 2 945 44 19



E-mail:

info@debulco.bg



Website:

www.debulco.bg