

DesignTech Systems Ltd.

Technology for Designing the future

Corporate Profile



Engineering Services: Product Design and Development Services

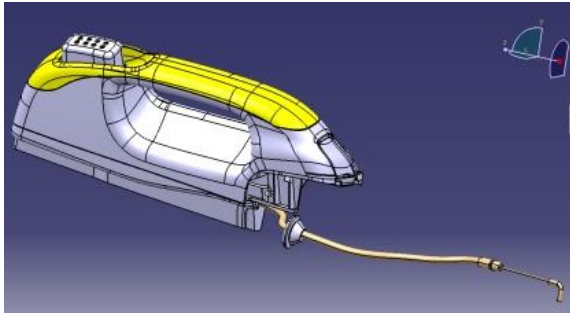


VAR for CAD/CAM/CAE, PLM Software Solutions and Additive Manufacturing Technologies

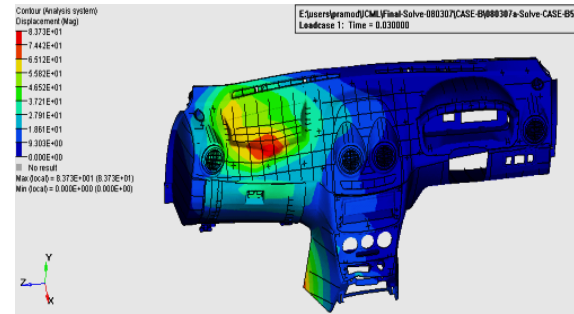


DesignTech CAD Academy: Training centre for imparting trainings on CAD and CAE software solutions

We provide Services at every stage of Product Lifecycle from



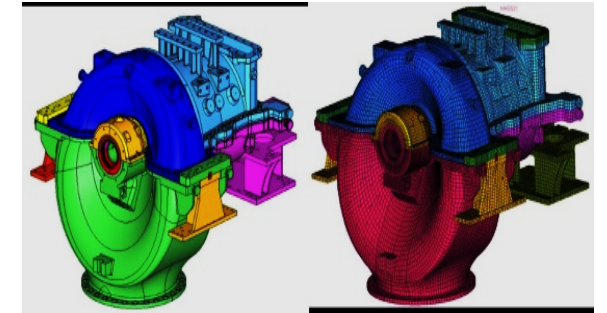
**Concept
Development**



**Product Design
Validation and
Analysis**

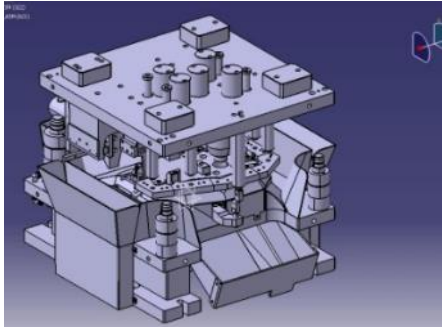


**Styling and
Industrial Design**

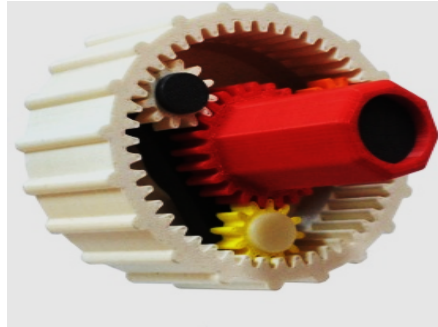


**3D Modelling and
Simulation**

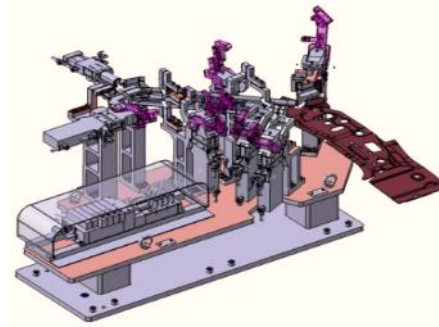
We provide Services at every stage of Product Lifecycle from



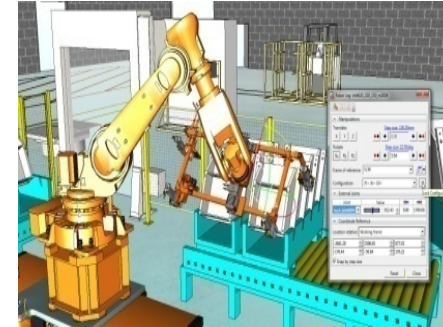
Tooling



Prototyping



Manufacturing



**Shop Floor/
Scheduling**



**To Training &
Support**



- Services offered on all the leading CAD and CAE software
- Compliances to International Design codes and standards
- Strong domain specific Technical knowledge backed by rich industry experience
- Industries catered to:



Automotive



**Aerospace and
Defence**



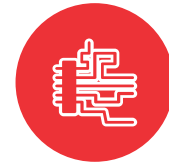
**Heavy
Engineering**



**Industrial
Machinery**



Power & Energy



**Electromechanical
and Consumer Goods**

Markets we
operate in

North America



Europe



Asia Pacific




Among top **3**
CAD/CAM/CAE and PLM
solutions suppliers in
India.



20+ years of
experience in Mechanical
Engineering Industry in
India and Overseas




Presence in **9** cities in India along with associate
offices in USA , Hong Kong , Singapore and Germany.



950+ Employee Strength
including
750+
Engineers & Technical Staff



2200+ Customers
in India and Overseas



Empanelment with

- Bharat Heavy Electricals Limited (BHEL) – Class A empanelment for design automation and engineering services
- Nuclear Power corp. – Empanelment for CAE results
- International Thermonuclear Experimental Reactor (ITER) – India – Mechanical Engineering services
- Preferred PLM implementation partner for Nissan Techno, Japan

Mission Statement

DesignTech's Mission is to respect every individual and make customers, employees and suppliers partners in progress through application of latest technologies for designing the future





Conformance to commitment is quality. Set the right expectations and make commitments which we can honour. Work to exceed the commitments and enable customers derive returns on their investments. Make every dealing with the customer a delightful experience

We, at DesignTech Systems Ltd. have a philosophy to **“Partner Technology & Customers”**, thereby understanding customers holistically & giving them Solutions Best Suited for their needs.

All these weighty determinants have put DesignTech on a Fast Growing Path



Onsite Resource Augmentation



Resources deputed at customer site with or without hardware and software. Customer pays monthly charges

Dedicated Delivery Center



Extension of the customer's design engineering facility. Customer pays fixed monthly rate for the team

Fixed Price



Customer pays a pre negotiated fixed price for the complete project which in turn is linked to well defined deliverables

Hybrid



A major portion of the project is on a fixed price basis and at the same time resources are deployed on time & material basis. Adopting such a model enables the client to maximize their ROI without compromising any aspect of the project

Time & Material



Define business model and work hand in hand for the execution. Customer pays a fixed hourly rate. When scope, specifications and project schedule are not easy to define this model is an attractive options

For further information contact us at 020 – 41311200

Email :- info@designtechsys.com

www.designtechsys.com

Follow us on Social Media



LinkedIn

<https://www.linkedin.com/company/designtech-systems-ltd>



Twitter

<https://twitter.com/DesignTechSys>



Facebook

<https://www.facebook.com/DesignTechSys/>



Google Plus

<https://plus.google.com/+DesigntechsystemsLtd>