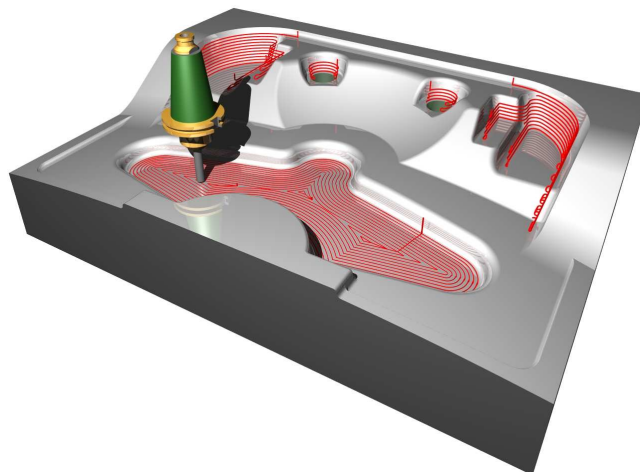


Pictures by PC CAM

Fully integrated high end machining solutions

SCHOTT SYSTEME GmbH specialises in the development of fully integrated CAD/CAM, graphics and production IT solutions. After almost 25 years on the market, our primary software product **Pictures by PC** remains one of the most indepth and affordable software packages for nearly all aspects of 2D/3D design, construction, technical documentation and CNC machining.

The rich set of fully integrated design and machining tools makes **Pictures by PC** an ideal 'One-Stop-Shop' solution for numerous disciplines including product design, general CAD construction, prototyping, model making, mold tool design, workshop machining, publishing graphics and technical illustration / documentation.



Mold tool design and 3 axis freeform machining

Drilling, milling and engraving

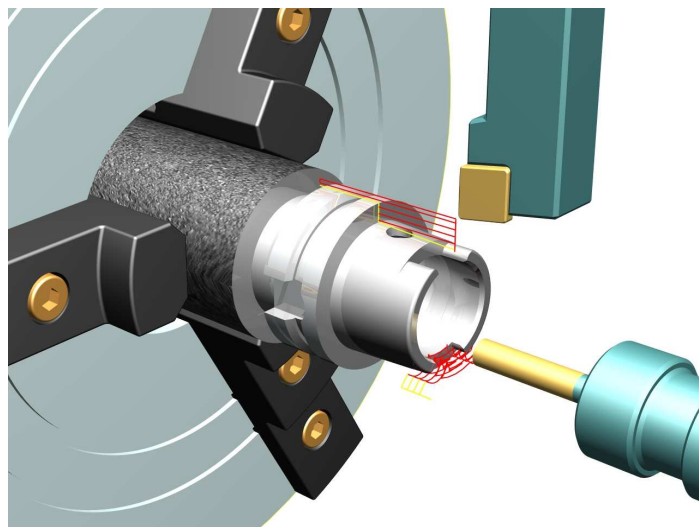
- 2.5D prismatic milling of 2D CAD, graphics and 3D solids
- Automatic drill feature recognition and optimisation
- Multisided 3+2 axis machining
- Freeform 3D milling on mixed solid, surface and mesh models
- Advanced recognition of freeform milling features
- Professional engraving in both 2D and 3D freeform
- High speed machining techniques
- Rest material visualisation and machining
- Full part simulation with tool and tool holder
- Optional 5 axis simultaneous machining



Professional 2D and 3D engraving suite

Turning

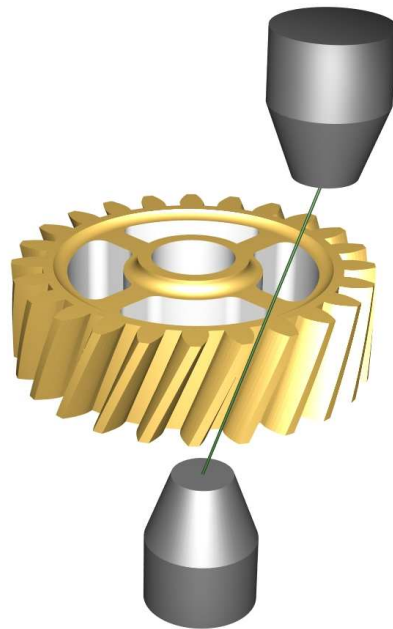
- Generation of 2 axis turning from 2D CAD geometry and 3D solid profiles
- Combination mill and turn for typical multisided parts
- Standard roughing and finishing strategies for both inner and outer contours
- Predefined and freely definable groove and thread groove technologies
- Automatic thread turning including metric, whitworth and pipe threads
- Automatic stock re-calculation following each turning operation
- Full control over all turning parameters such as leadin/out and material allowance
- Complete selection of drilling cycles including reaming and countersinking
- Interactive toolpath display and part simulation
- Fully configurable tool database



Mill / turn of typical multisided parts

WireEDM

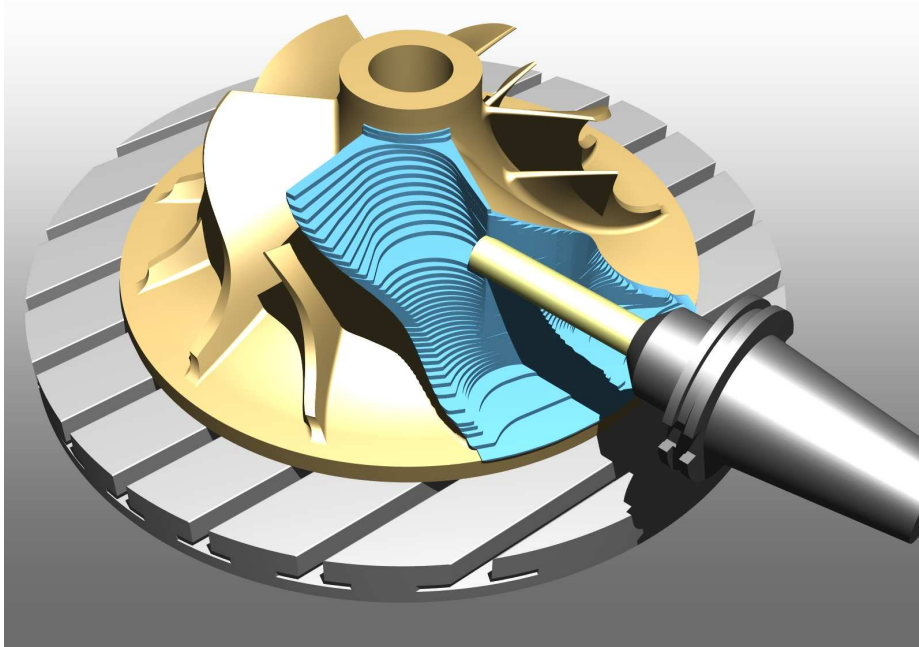
- Generation of wire cutting from 2D CAD geometry and 3D solid profiles
- 2 axis and 4 axis synchronised wire cutting
- Single click application of roughing, pocketing, finishing and bridge cuts
- Instant application of ISO radii and conic features
- Configuration and optimisation of cut sequences
- Full control over leadin and lead out strategies
- Wire cutting simulation, NC program creation and post processors



2 axis and 4 axis synchronised wire cutting

5 axis simultaneous machining

- 5 axis simultaneous machining of 3D solid and surface models
- Single click application of chamfer milling, swarf cutting, finishing and profile cutting
- Advanced 3D feature recognition for the selection of complex freeform milling features
- 5 axis simultaneous engraving of 2D drawing data and graphics
- Manual synchronisation and control over tooling direction for the machining of difficult to reach areas
- Part simulation and option for full machine simulation



5 axis simultaneous machining

Data Exchange Package

Pictures by PC includes the ability to import, edit and machine multiple geometry types.

Included as standard are DXF, AI (Adobe Illustrator), EPS, EMF, WMF, HPGL, 3DS (3D Studio), STL, WAV (Wavefront) and SAT/SAB solids.

Included within the Exchange Package are IGES, VDA-FS and STEP

Fully customisable and programmable solution

One of only a few CAD/CAM systems to be based on 100% open architecture, Pictures by PC enables the user to create fully customised routines to both automate repetitive work, in addition to controlling differing software processes and programmes.

Solution Price

Complete 2D/3D design, milling, drilling and engraving inclusive of 3+2 axis multisided machining, machine post processors and free lifetime support - 9.800,- Euro (excl. MWSt).

Additional machining modules can be purchased to plug into the full package. WireEDM 2.000,- Euro, Turning 2.000,- Euro, 5-Axis Simultaneous Milling 2.500,- Euro.