



HT Hi Tech Polymers Oy

Connector Seals for flexible pipe
connections
and
Other high quality thermoplastic
elastomer products



Your partner in thermoplastic elastomers

- HT Hi Tech Polymers Oy is a manufacturer of technical polymer products, operating in Sastamala, Finland.
- We offer you the development and manufacture of the most technically advanced products made of thermoplastic elastomers for your industry based application.



We are proud of our expertise and committed to customer service. As a family company we continue to give not just great products but service, support, trust and care to all those who choose to do business with us.



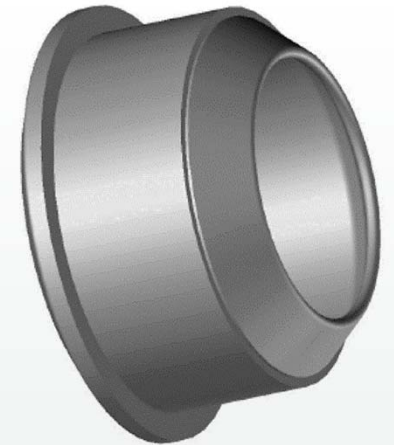


Our products create a lot of benefits

Our strengths lie in high-quality products which meet the necessary technical requirements, e.g.

- fire rating V-0
- halogen-free / sulphur-free
- electrically conductive / non-conductive materials

The raw materials used are: TPE, EPDM, NR, CR, SILICONE, NBR, SBR etc.



Products

- Multiflanges
- Flexible pipe connection seals
- Rubber grommets
- Plugs
- HVAC bushings
- Anti-vibration mountings
- Rubber bumpers
- Rubber cone bumpers
- Anti-vibration mats

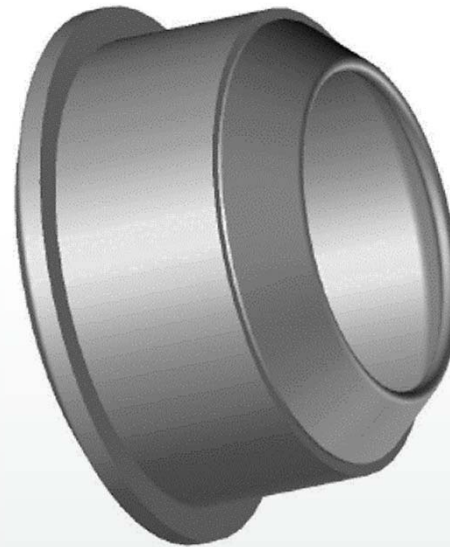


HT Hi Tech Polymers Oy

Connector Seals for Flexible Connection of Pipes to

- Plastic manholes
- Plastic inspection chambers
- Plastic tanks
- Septic tanks
- Sewage treatment plants
- Laterals to pipes
- Concrete manholes
- Concrete tanks

DIFFERENT DESIGNS, COLOURS AND CUSTOMER-SPECIFIC SOLUTIONS AVAILABLE





HT Hi Tech Polymers Oy

Pipe Connector Seal 910-C

Flexible pipe connection to

- inspection chambers
- plastic and concrete manholes
- septic tanks
- sewage treatment plants
- plastic or concrete tanks

Dimensions OD 75 – 400 mm

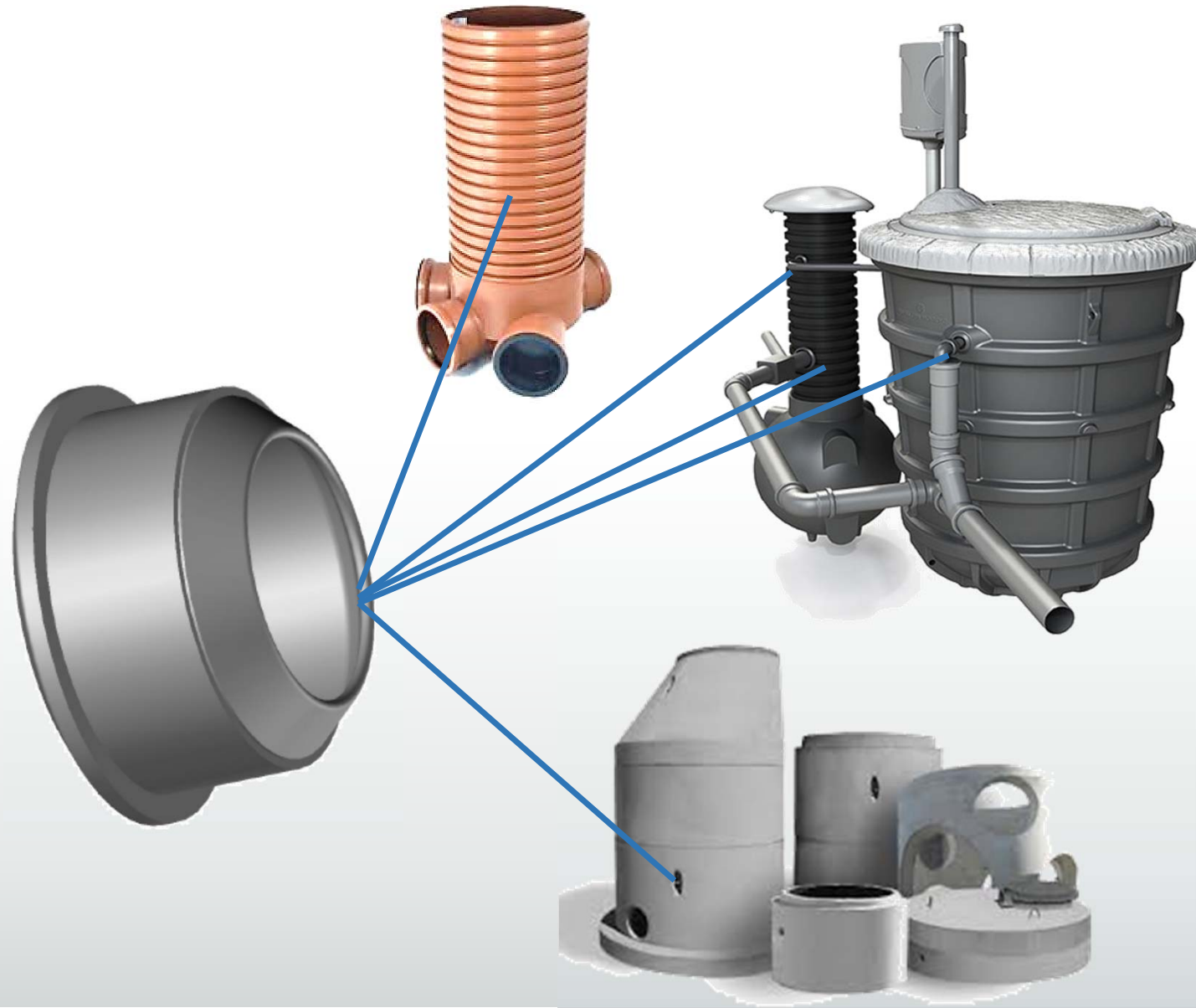
Material TPE 50 ShA

Halogen-free

Resistant to oil splashes

For in and outdoor use

Operating temperature -40°...+130°C



Pipe Grommets

Pipe connection to solid wall inspection chambers, plastic pipes, tanks etc.

Dimensions OD 110, 160 mm, other dimensions on request

Material TPE 50 ShA

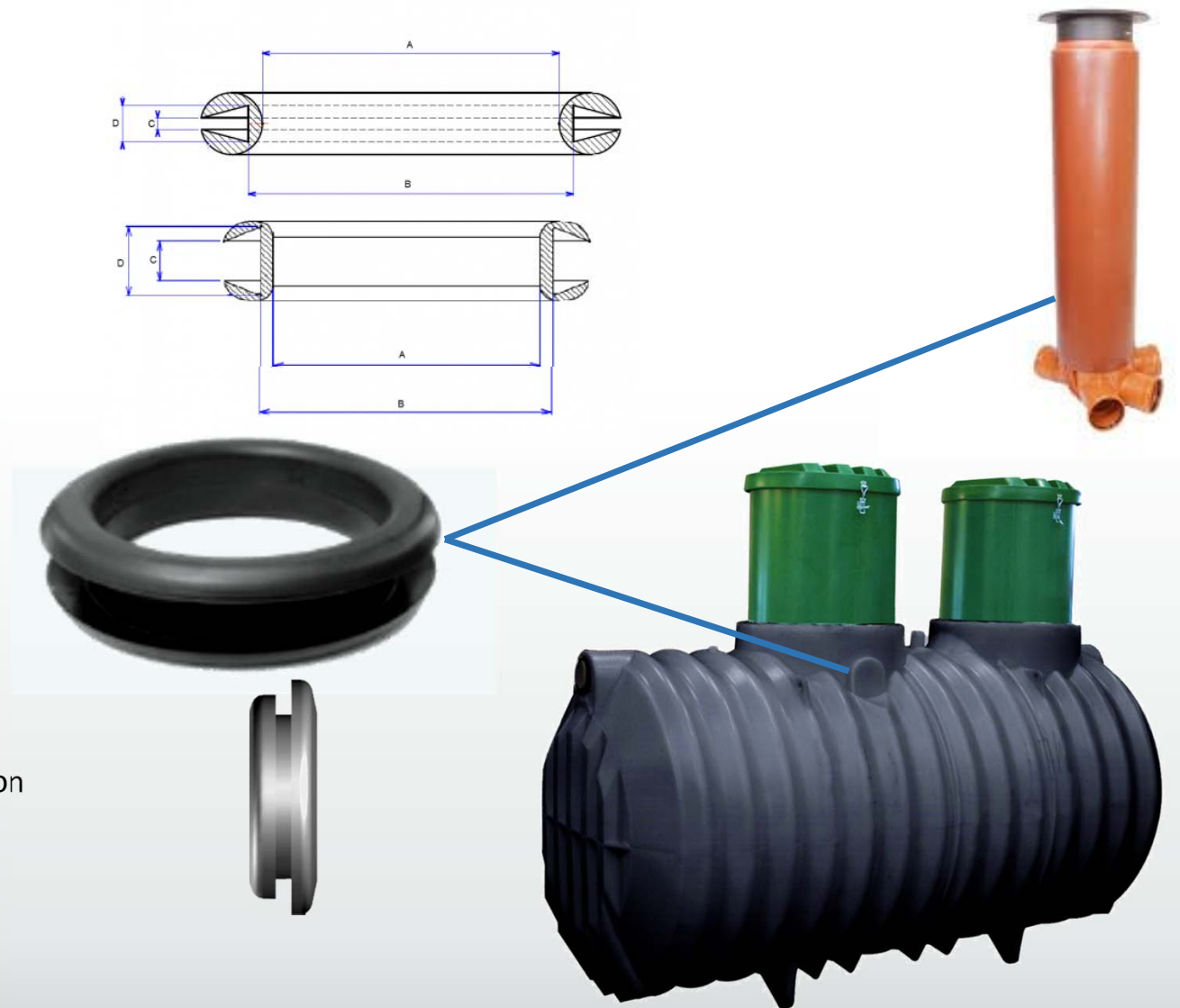
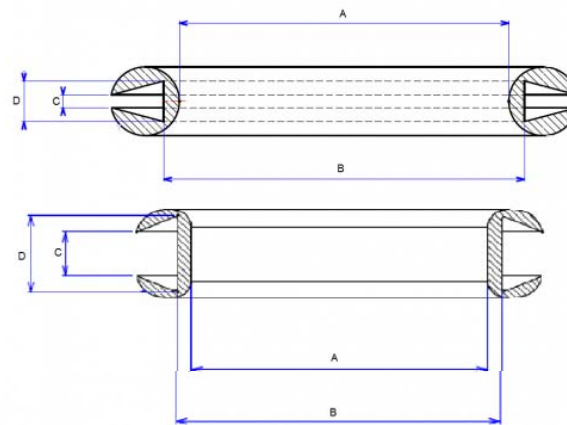
Halogen-free

Resistant to oil splashes

For in and outdoor use

Operating temperature $-40^{\circ}\dots+130^{\circ}\text{C}$

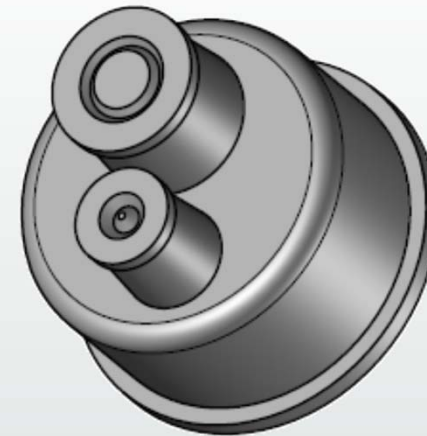
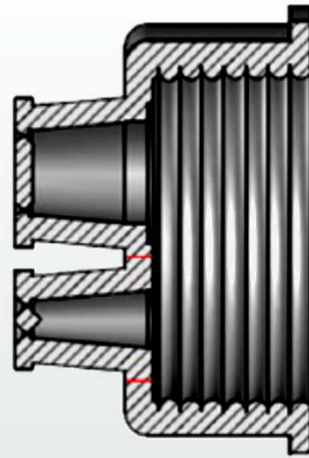
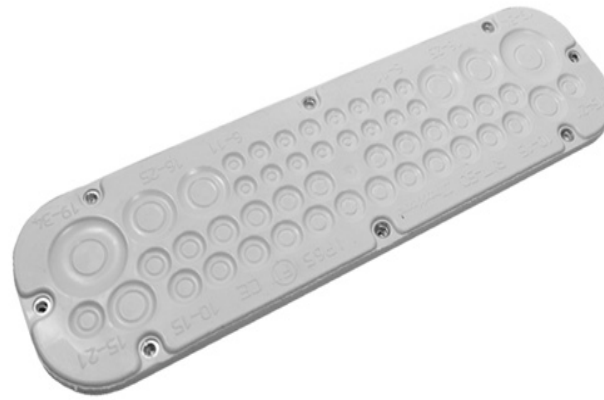
Colour Black, other colours on request





HT Hi Tech Polymers Oy

Flexible Multiflanges and pipe connectors

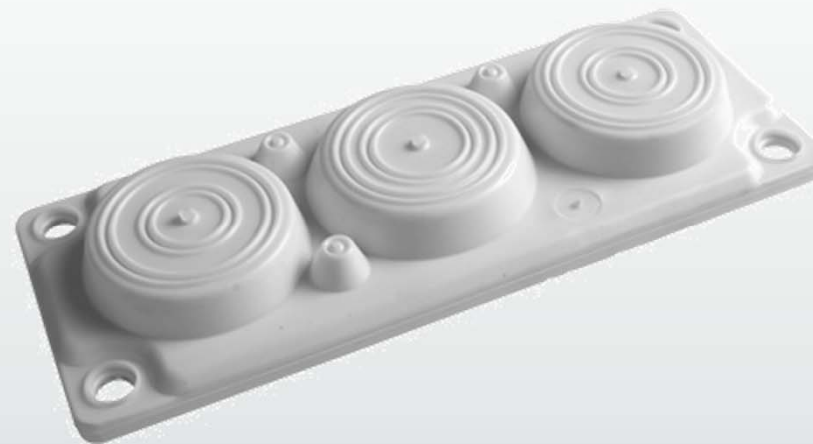
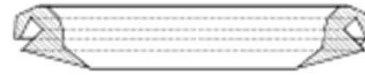




HT Hi Tech Polymers Oy

Customer Specific Solutions

- Turn key projects based on customers needs
- High quality 3D design
- High quality tools
- Short ramp up for new designs
- Effective production





HT Hi Tech Polymers Oy

For more information, please visit our website

www.hitech-polymers.fi

Inquiries

HT Hi Tech Polymers Oy
Hallitie1, FI-32740 SASTAMALA, FINLAND
Tel. +358(0)3 8828 600 • Fax +358(0)3 5133 41
office@hitech-polymers.fi