

# Calibration of excess lengths for improved pellet quality



YOUR  
GOODS ARE  
BETTER  
OFF.

## PELLETS CALIBRATOR

- // no pellet excess lengths**
- // improved pellet quality**
- // increased production efficiency**
- // less fine material due to fewer fracture surfaces**
- // better pellet appearance**



# PELLETS CALIBRATOR

The length of the wood pellets must be between 3.15 mm and 40 mm according to DIN EN 14961-2. The aim is to achieve a higher share of pellets of the same length and to avoid excess lengths.

## Solution using the KNOBLINGER PELLETS CALIBRATOR:

### Step 1:

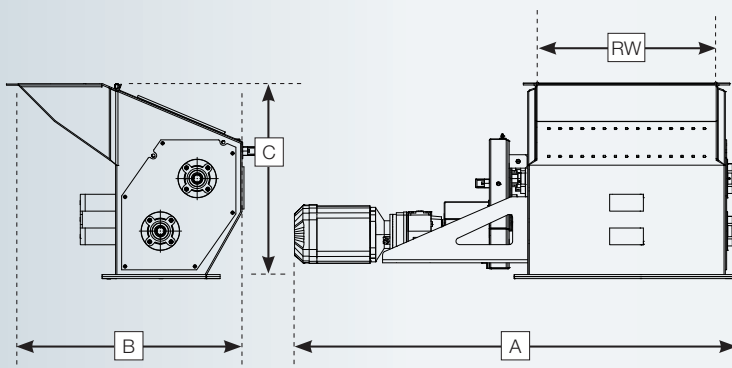
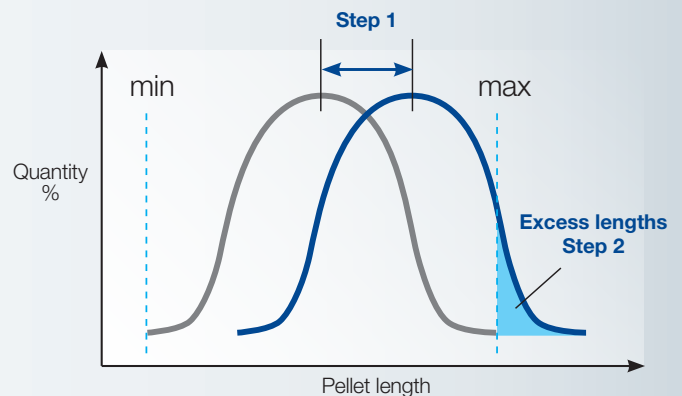
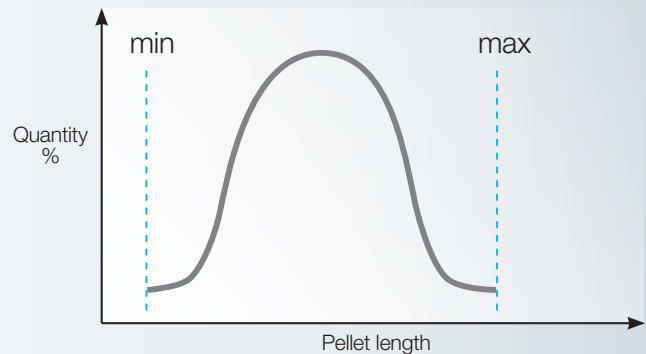
Increase the blade distance at the pellet press, excess lengths are tolerated.

### Step 2:

Separate excess lengths in a sieve system.

### Step 3:

Calibrate excess lengths to standard length with the KNOBLINGER PELLETS CALIBRATOR.



Type	PC250	PC500
<b>Length A</b>	1.000 mm	1.300 mm
<b>Width B</b>	700 mm	700 mm
<b>Height C</b>	570 mm	570 mm
<b>Rated width RW</b>	250 mm	500 mm
<b>Press output</b>	up to 10 t/h	up to 20 t/h

## PELLETS CALIBRATOR:

- // no pellet excess lengths
- // improved pellet quality
- // increased production efficiency
- // less fine material due to fewer fracture surfaces
- // better pellet appearance

## Advantages compared to other concepts:

- // very high throughput
- // virtually no abrasion
- // no pellet destruction
- // no re-sieving required
- // compact dimensions