

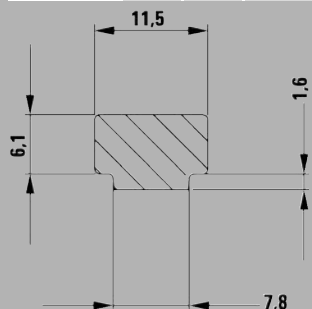
Table clamps



All-steel table clamp GTR



№	←a→	←b→	←x→	Contents/pc.	⚖	📦	V2
	mm	mm	mm		kg	qty.	
GTR12	120	60	13.5 x 6.5	-	0.30	10	
GTR12SET	120	60	13.5 x 6.5	2 x GTR12	0.61	5	
GTR16B6	160	60	13.5 x 6.5	-	0.35	10	
GTR30B6	300	60	13.5 x 6.5	-	0.40	10	



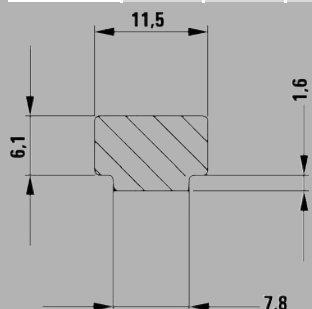
- Specially forged fixed arm for 12 x 8 mm grooves
- For secure fastening of guide rails from Festool, Protool, Metabo, Makita, Hitachi, etc. and for clamping in profiles as well as work tables
- Clamping force up to 1.800 N
- Ergonomically shaped wooden handle
- GTR12SET: On carded hang pack



All-steel table clamp GTRH with lever handle



№	←a→	←b→	←x→	⚖	📦	V2
	mm	mm	mm	kg	qty.	
GTR16S6H	160	60	13.5 x 6.5	0.53	10	



- Specially forged fixed arm for 12 x 8 mm grooves
- For secure fastening of guide rails from Festool, Protool, Metabo, Makita, Hitachi, etc. and for clamping in profiles as well as work tables
- Rapid – up to 5 times faster than conventional clamps
- Secure – unaffected by vibrations
- Strong – clamping force up to 2.400 N