

## SCREENS

*BRUKS offers a variety of different kinds and sizes of screens and screening systems needed for most different applications, meeting the demands on capacity, quality of size sorting and reliability.*



# BRUKS SCREENS

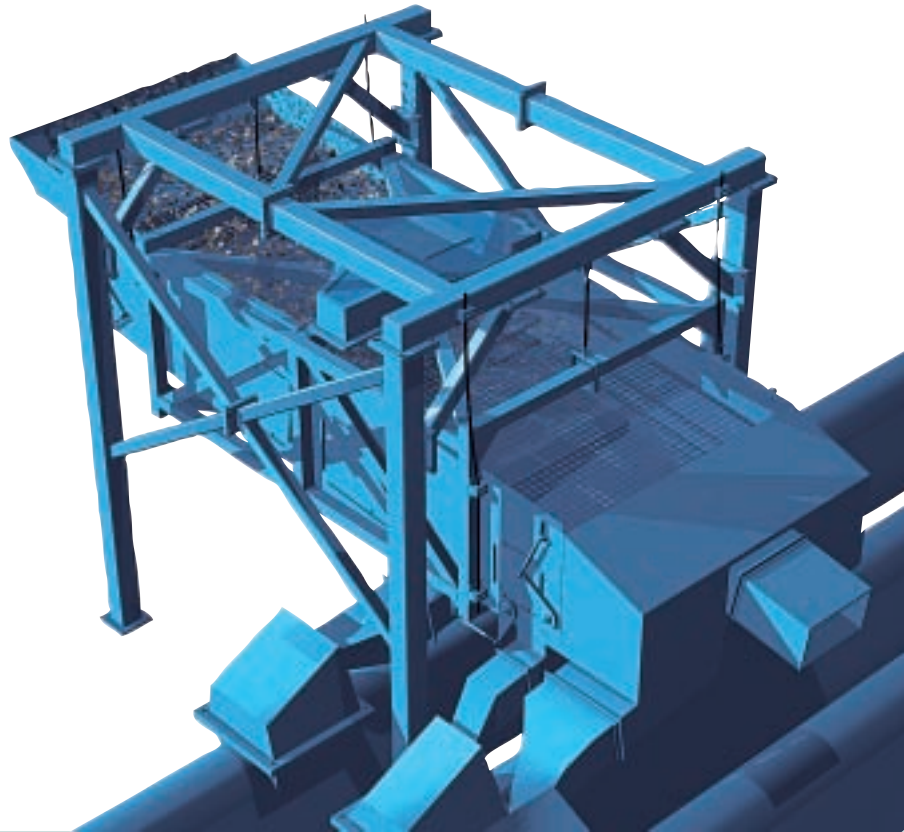
## FREE-SWINGING SCREENS

Free-swinging screens have a suspended design and are available in several sizes for separating up to four fractions. Exchangeable screen decks with decreasing hole sizes ensure efficient screening and maximum economic yield from by-products.



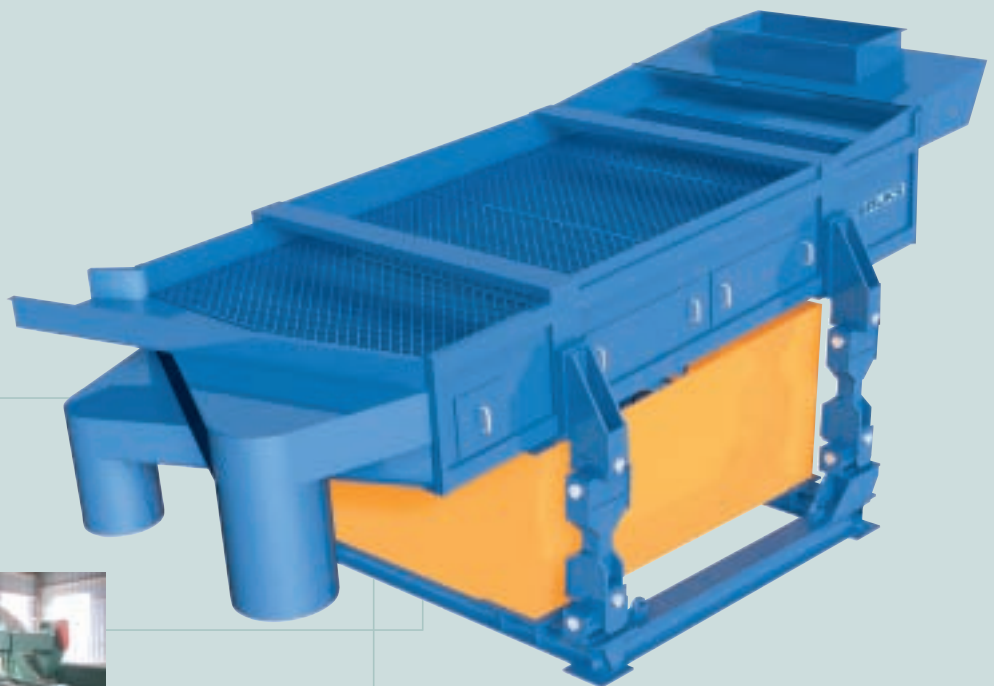
**SH-11/4** features an ingenious control mechanism making it easy to vary the proportion of pin chips in the accept chips, or to discharge a separate fraction such as pin chips.

**SH** screens are available also in designs for screening of wood pellets.



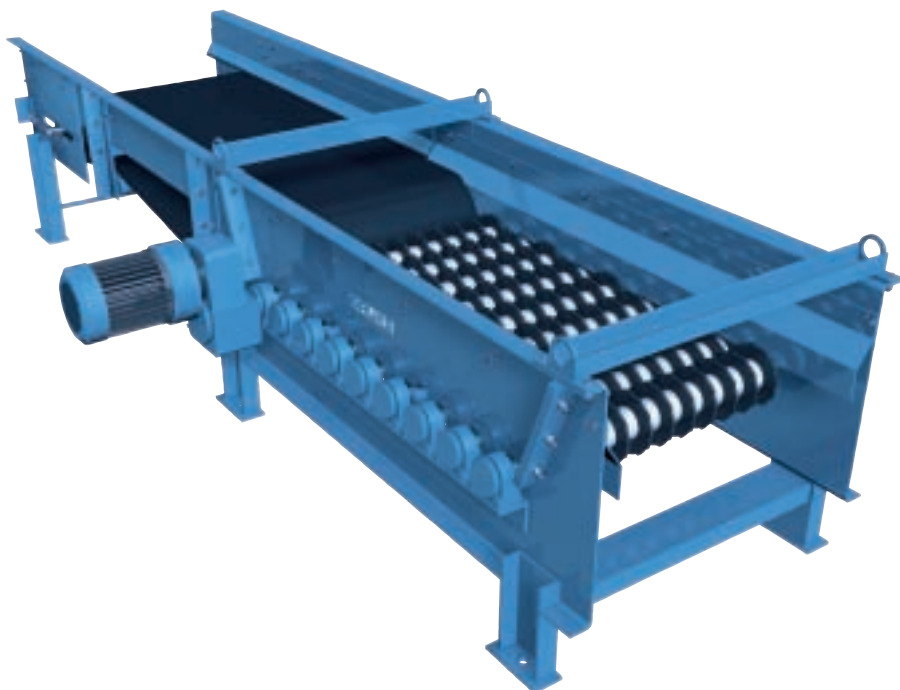
## GYRATORY SCREENS

These screens are excenter-guided, floor-mounted versions, suitable for the separation of many different bulky materials. Some models can handle up to 6 fractions.



## ANY DIFFERENT BULK MATERIALS:

- > **Chips and sawdust**
- > **Bark and waste wood**
- > **Sawmill residue**
- > **Wet and dry flakes**
- > **Recycled materials**



## DISC SCREENS

BRUKS disc screens separate reliably oversized material from accepted fractions in sawmill lines, log yards etc.



### Product advantages:

- Maximum screening capacity with low space requirements
- Self-cleaning screen surface
- Low maintenance cost
- Easily exchangeable shafts and discs

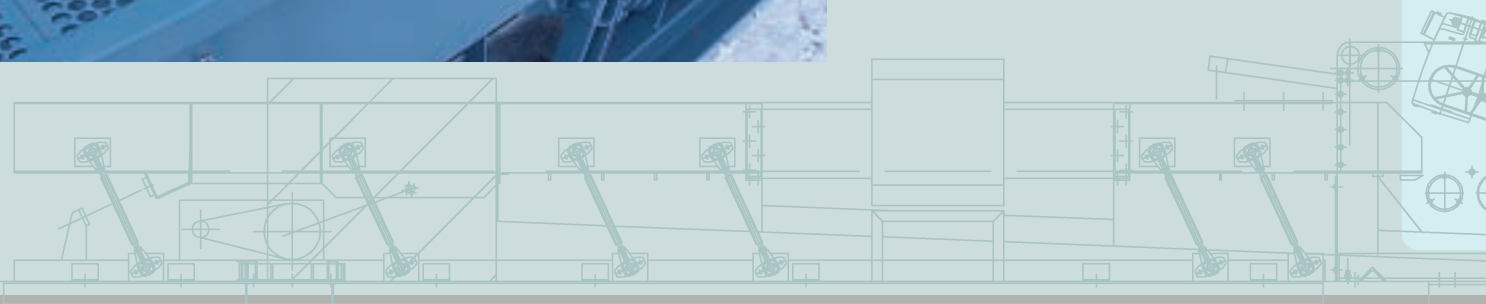
Design and shaft/disc intervals depend on required screening fraction.

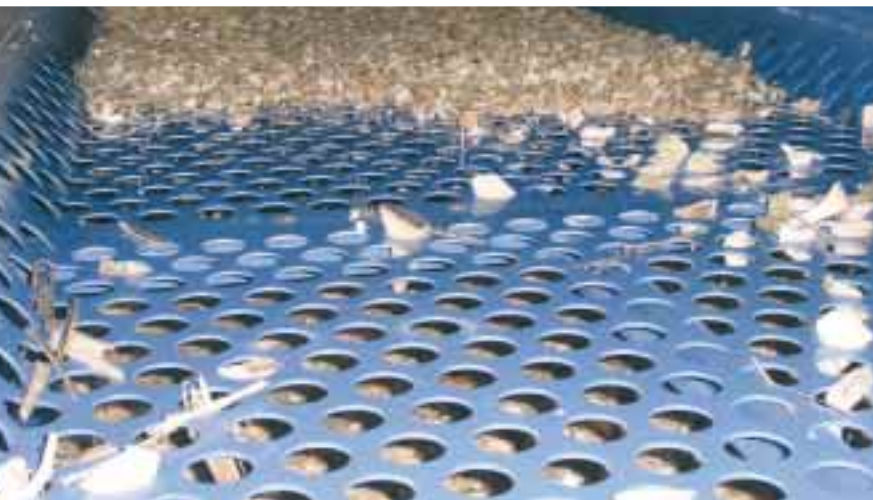


## VIBRATORY SCREENS

BRUKS vibrating screens are designed for separation of several fractions.

These systems are virtually maintenance-free and need no supervision.





## BRUKS – YOUR GLOBAL PARTNER

### SWEDEN

#### BRUKS AB

Box 46 · Västergatan  
820 10 Arbrå  
Sweden  
Phone: +46 (0)278-642500  
Fax: +46 (0)278-642520  
info@bruks.com

#### BRUKS Celltec AB

Nygatan 24  
891 34 Örnsköldsvik  
Sweden  
Phone: +46 (0)660-294550  
Fax: +46 (0)660-294570  
info@bruks.com

#### BRUKS Gvc AB

Strandvägen 64  
870 52 Nyland  
Sweden  
Phone: +46 (0)612-772480  
Fax: +46 (0)612 225 83  
info@bruks.com

#### BRUKS Rotom

Box 46 · Västergatan  
820 10 Arbrå  
Sweden  
Phone: +46 (0)278-642500  
Fax: +46 (0)278-642520  
info@bruks.com

### GERMANY

#### BRUKS Klöckner GmbH

Grabenstr. 1  
57647 Hirtscheid  
Germany  
Phone: +49 (0)2661-280  
Fax: +49 (0)2661-28180  
info.de@bruks.com

### USA

#### BRUKS Rockwood Inc.

5975 Shiloh Road, Suite 109  
Alpharetta, GA 30005  
USA  
Phone: +1-770-849-0100  
Fax: +1-770-495-7195  
info.us@bruks.com

#### BRUKS Rockwood Inc.

P.O. Box 2466  
Snohomish, WA 98291  
USA  
Phone: +1-360-863-2947  
info.us@bruks.com

### CHINA

#### BRUKS Beijing Representative Office

Zhu Zong Plaza, Room 1210  
Chao Yang District  
Huan Zhong Lu 25  
100020 Beijing  
China  
Phone: +86-136-0114-8282  
info@bruks.com