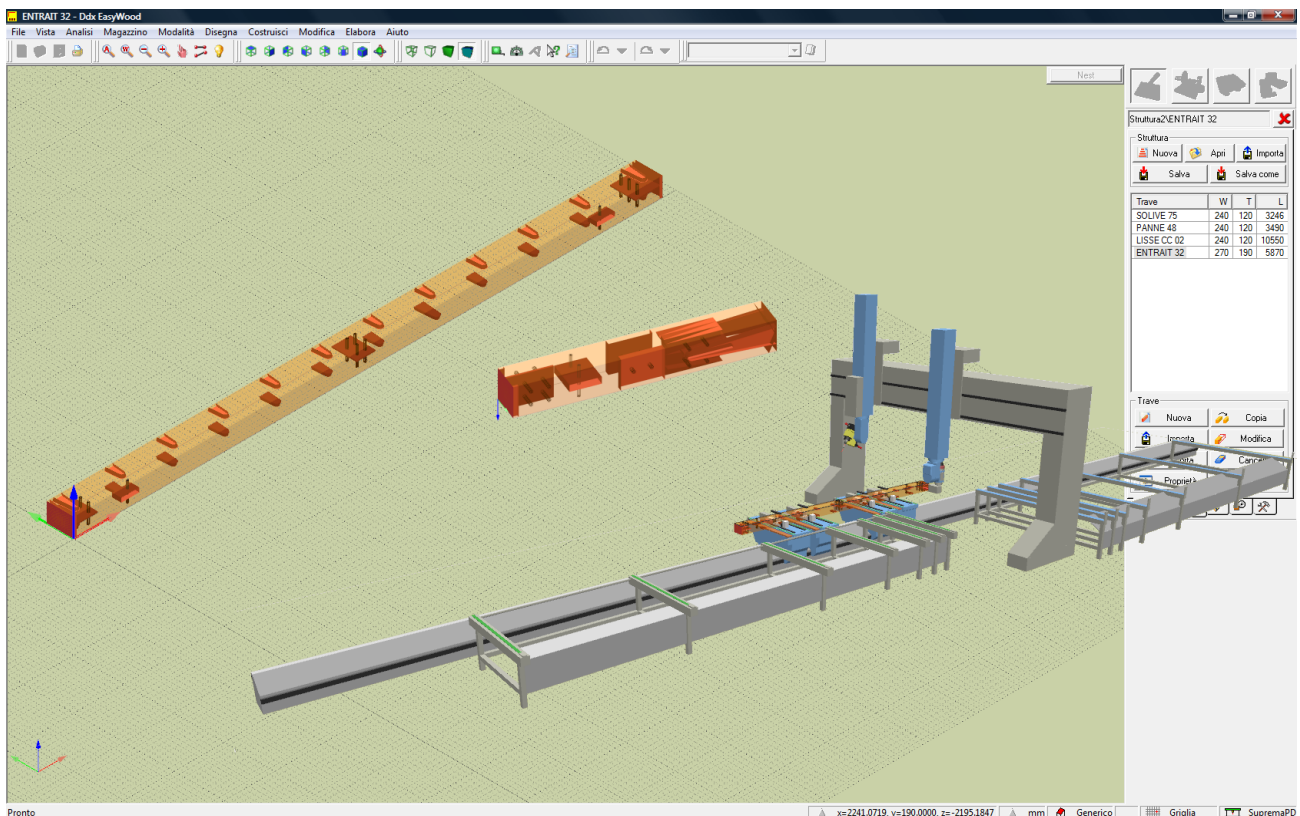




EasyBEAM 4.6

Info Sheet



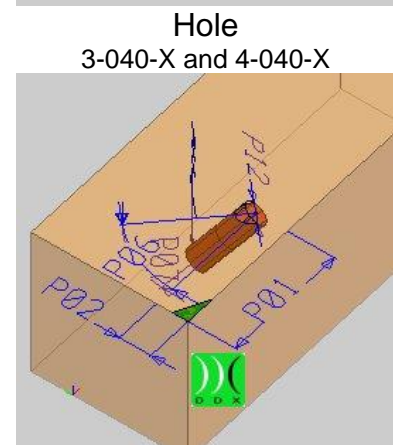
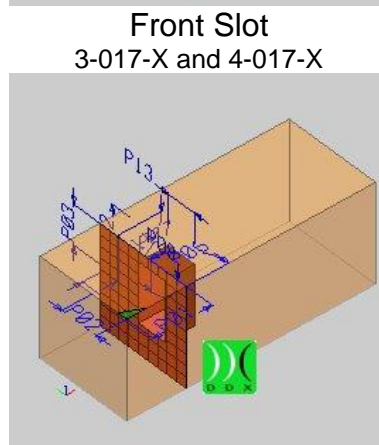
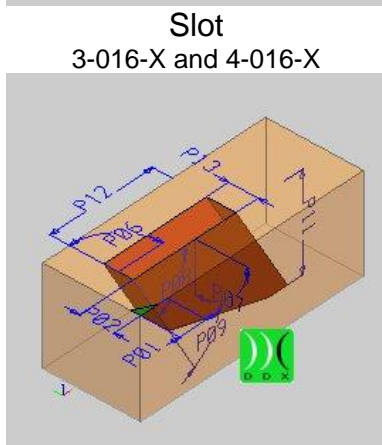
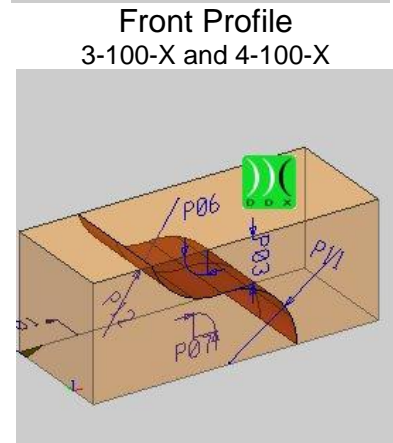
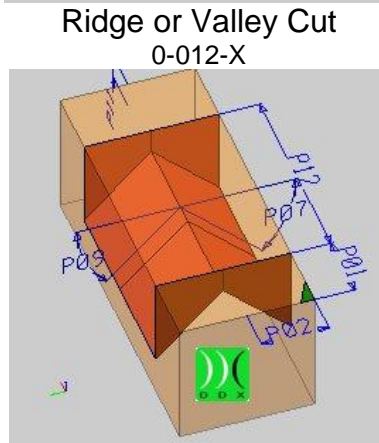
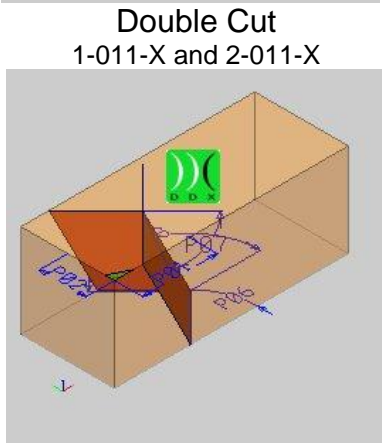
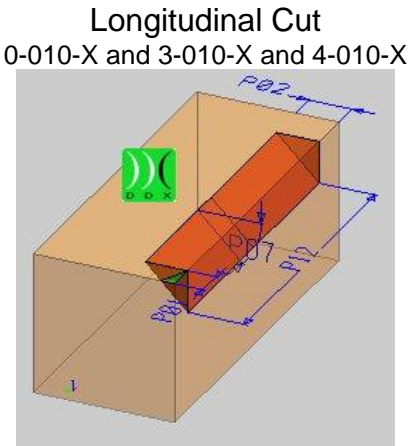
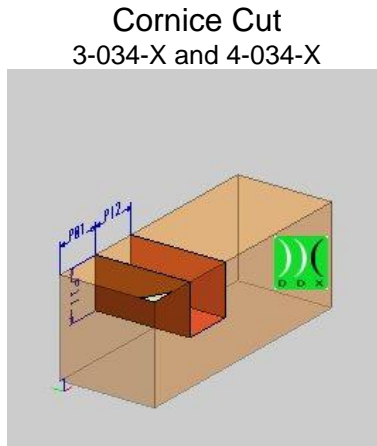
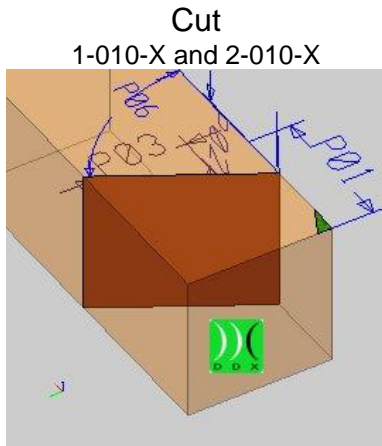
The BEAM module of EasyWOOD is the ideal tool for the project and machining of any dimension of straight and curved beams on CNC machining centres. Specifically made for beam manufacturing, this application simplifies the use of CNC machining centres ensuring a great increase in productiveness.

After defining the production, the BEAM module of EasyWOOD links automatically the machining processes, sets the correct position of the pieces on the CNC and generates the programs for machining. The BEAM module is also a very flexible application which allows to do many interactive operations like modify and cancel some features, change the position of the piece, modify machining path etc.



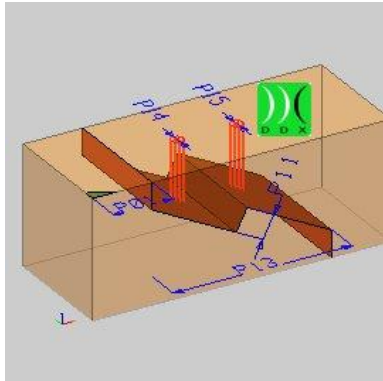
STANDARD FEATURES

In the list below you can find the standard machinings that EasyBEAM (EasyWOOD module) can import from a BTL file version 10 or superior; according to the technical details supplied by DESIGN 2 MACHINE.

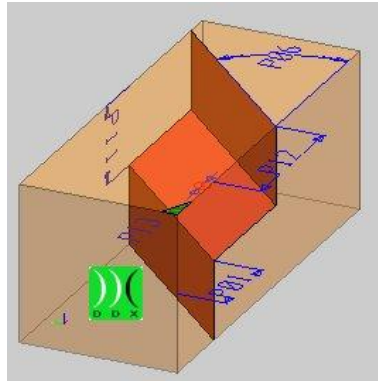




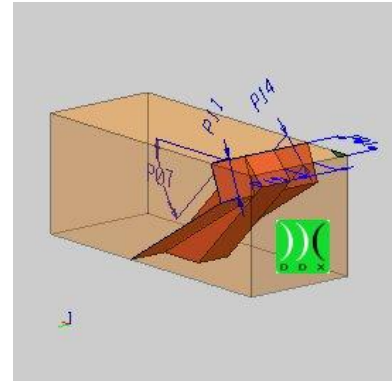
Scarf Joint
1-071-X and 2-071-X



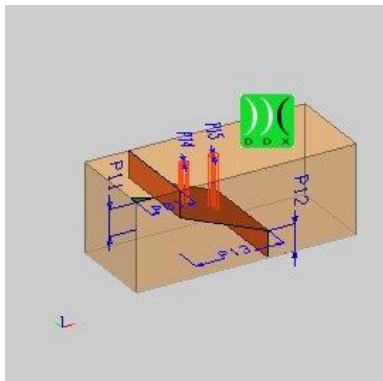
Ridge Lap
1-030-X and 2-030-X



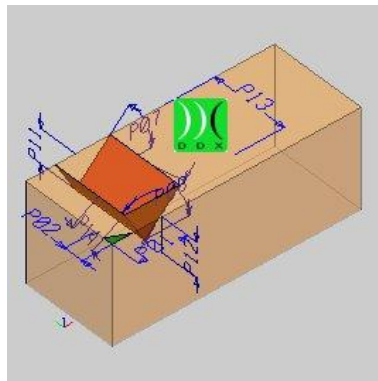
Step Joint
1-080-X and 2-080-X



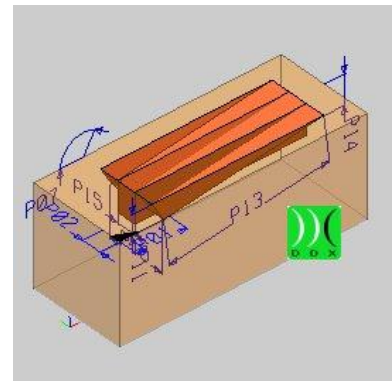
Simple Scarf
1-070-X and 2-070-X



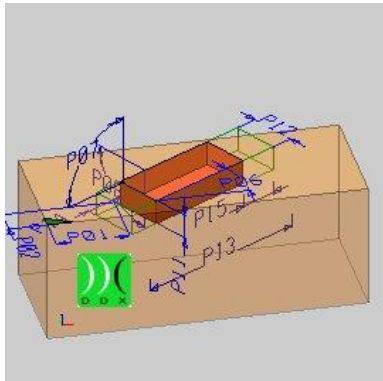
Birds Mouth
3-020-X and 4-020-X



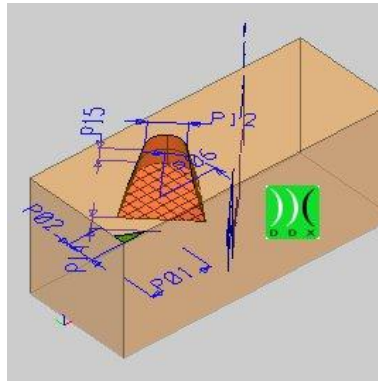
Step Joint Notch
3-080-X and 4-080-X



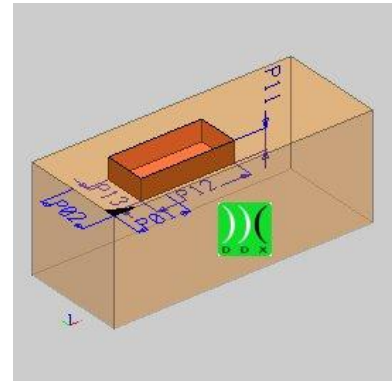
Mortise
3-050-X and 4-050-X



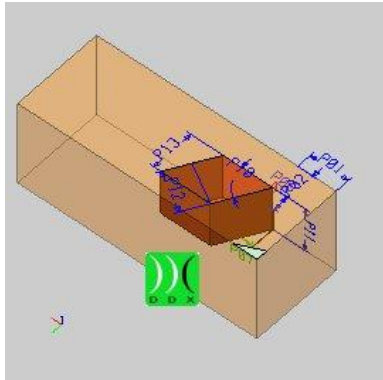
Dovetail Mortise
3-055-X and 4-055-X



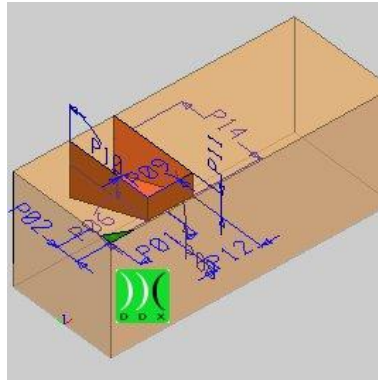
Notch
3-032-X and 4-032-X



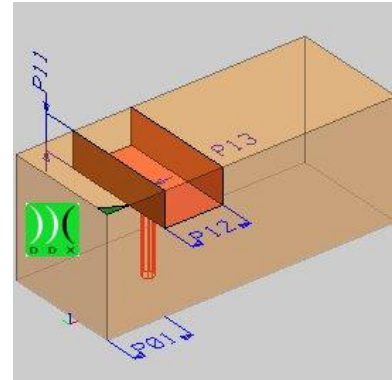
Pocket
4-039-X



Lap Joint
3-030-X and 4-030-X

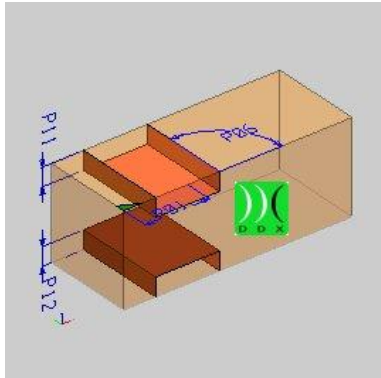


Lap Joint with Hole (out-of-date)
3-031-X and 4-031-X

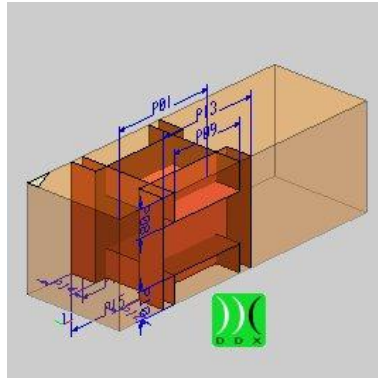




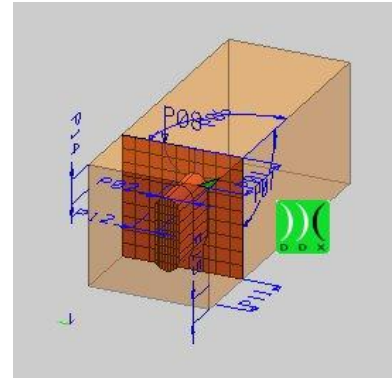
Blockhouse Half Lap
3-033-X and 4-033-X



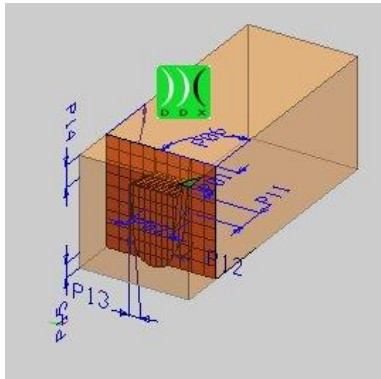
Blockhouse Lap
4-037-X



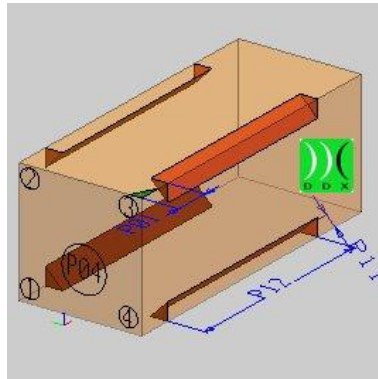
Tenon
1-050-X and 2-050-X



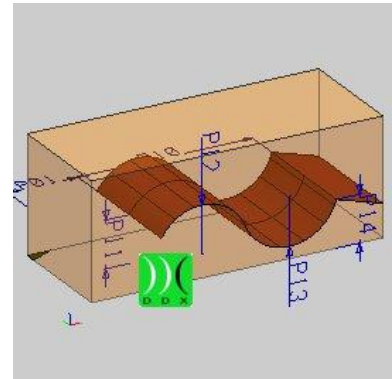
Dovetail Tenon
1-055-X and 2-055-X



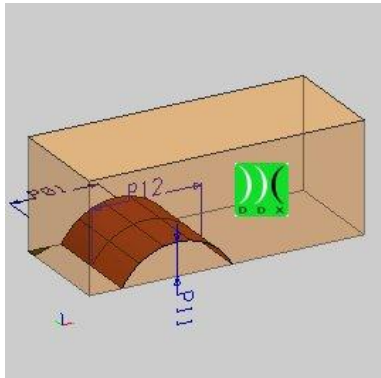
Chamfer
3-036-X and 4-036-X



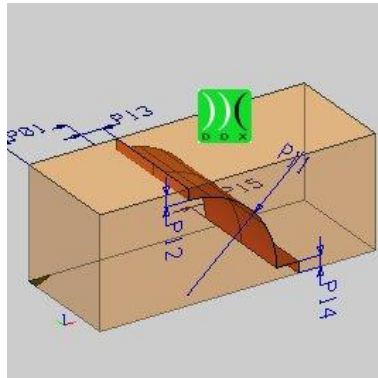
Curved Head Profile
3-103-X and 4-103-X



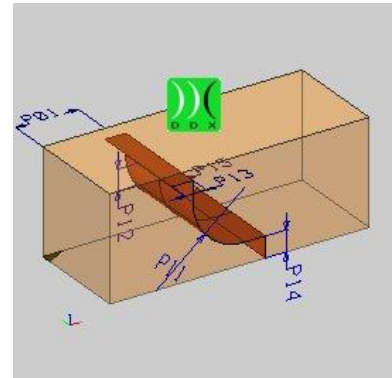
Round Arch
4-104-X



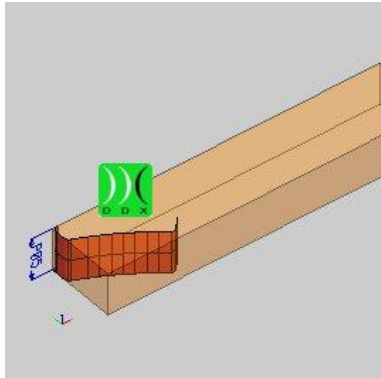
Concave Head Profile
3-101-X and 4-101-X



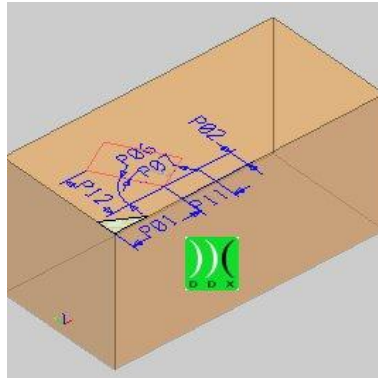
Convex Head Profile
3-102-X and 4-102-X



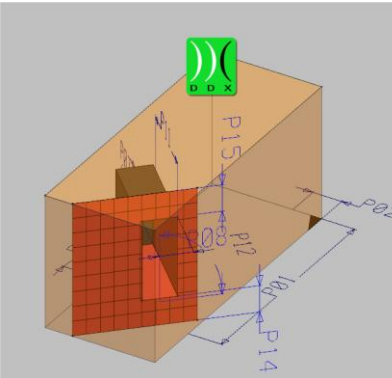
Free Contour
0-250-X and 3-250-X and 4-250-X



Marking/Labeling
3-060-X and 4-060-X



Front Mortise
3-051-X and 4-051-X





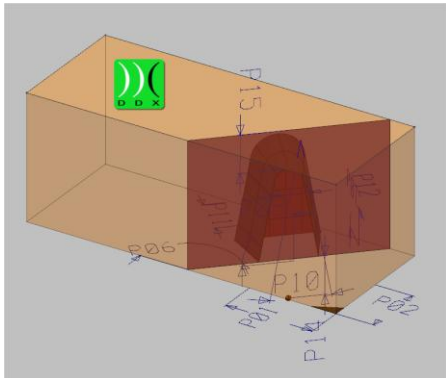
DDX CAD-CAM-CIM-CMM Solutions

s.r.l. socio unico
Via G. Donizetti, 109/111 - 24030 Brembate di Sopra (Bergamo), Italy
Tel. +39 035 620283 Fax: +39 035 333723 E-mail: info@ddxgroup.it Web: www.ddxgroup.it



UNI EN ISO 9001 : 2000

Front Dovetail Mortise 3-056-X and 4-056-X



Saw Cut 0-013-X and 3-013-X and 4-013-X

Triangle Cut 4-120-X

SPECIAL FEATURES

DDX can integrate special features and machinings if commissioned by the Customer.

SINGLE BEAM PROJECT

With EasyWOOD's BEAM module it is possible to project a single beam and apply on it the standard features above mentioned, even without importing BTL format. If some special features are configured they become a part of the list above mentioned.

CAD MODULE

With EasyWOOD's CAD module it is possible to draw flat elements, curbed elements and many kind of profiles. The user can also import DXF and IGES projects (optional) from other CAD modules.

GRAPHICS and 3D SIMULATION

The software shows on the screen the geometry of the piece with the machining paths linked and the CNC 3D simulation with virtual milling.

These functions allow the customer to check if the working cycles are correct and optimized in order to increase productiveness, avoid wrong machinings and reduce waste. The BEAM module of EasyWOOD prevents damages on the machine, since the application can be linked to the automatic collision detection module.

