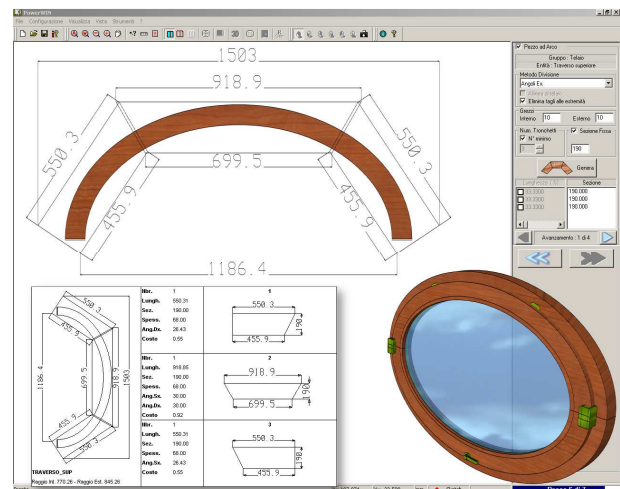
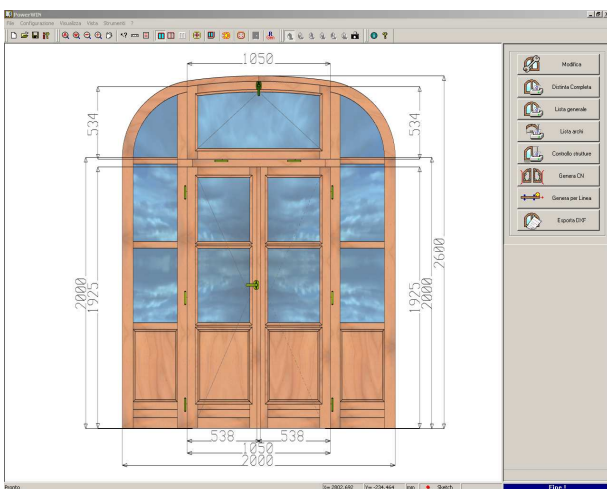
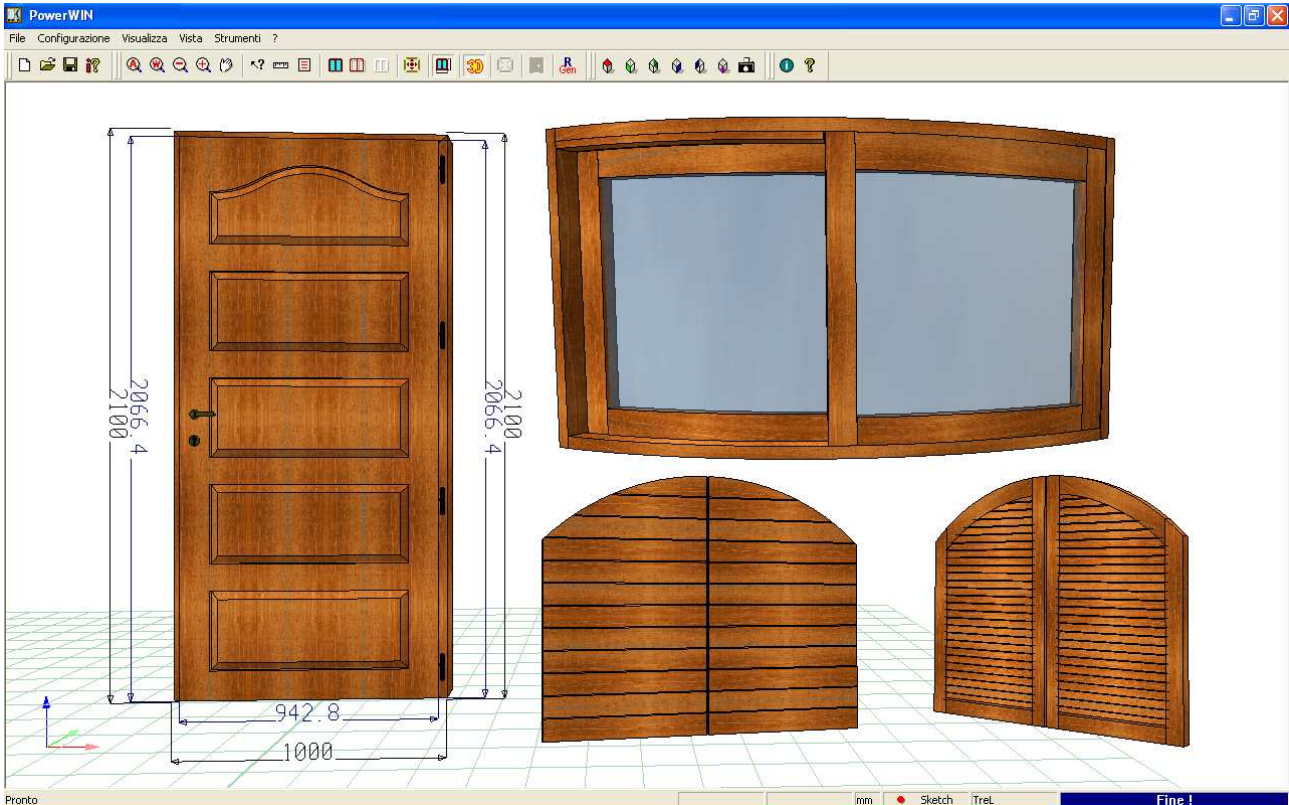




# PowerWIN Info Sheet



**POWERWIN** is the ideal CAD for the parametric design of solid wood doors, flush doors, shutters, standard and special doors and windows. **POWERWIN** is easy to use: the end-user is guided through all the designing phases, from the selection of shape up to the arch splitting into segments. With **POWERWIN** it is possible to configure all the parameters of the elements making up a window or a door: frame, openings, overlapped parts, sections,



stiles, rails, baseboards, window/door stops, glasses, flat panels, engraved panels, louvers, matchboards, junctions, dowels, raw pieces, hardware, etc. After selecting the shape and the configuration to be used during the design stage, you just have to enter the dimensions of the frame to obtain the complete definition of the window, of the shutter or of the door.

**POWERWIN** designs windows and doors with the following shapes: rectangular, trapezoidal, triangular, gothic, porthole, tilting, sliding, round arch, segmental arch and arch made by points (taken from a template). With **POWERWIN**'s CAD module you can also draw the shape of the frame or import its DXF file. It is important to underline that **POWERWIN** designs also standard and particular shape projects "side by side" as verandas, partitions etc.

**POWERWIN** has both DXF and ASCII output, it generates the cutting list (arch-segments included), the glass list, the control and assembling list. It carries out the print-out of the window or of the door and, in combination with **WINCAM** software package, **POWERWIN** generates automatically the working cycles for CNC machining centers (including hardware) In order to optimize the production, **WINCAM** manages the piece arrangement on the machining centre (quantities, origins, position, over-material, clamps, vacuum-cups, references, etc.). **WINCAM** includes the graphic simulation to verify the tool-paths. With **POWERWIN** you can also generate the NC codes to machine more windows/doors at the same time as a "batch".

The Users have the possibility to show to Customers a 3D rendering of the project, very helpful for commercial use.

**POWERWIN** is an indispensable tool for every woodworking reality, both for traditional manufacturing and made by CNC machining centres.

## WHICH BENEFITS DOES IT OFFER?

- *IT REDUCES THE TIME OF DESIGN AND PRODUCTION PHASES*
- *IT REDUCES THE POSSIBILITY TO MAKE MISTAKES (for instance it avoids the oversights)*
- *IT REDUCES THE STAFF TRAINING TIME*
- *IT CUTS DOWN THE COSTS*
- *IT INCREASES THE PRODUCTIVENESS*
- *IT INCREASES THE COMPETITIVENESS*
- *IT GUARANTEES QUALITY AND PRECISION OF THE FINISHED PRODUCT*
- *IT SIMPLIFIES THE USE OF CNC MACHINING CENTRES*
- *IT ENABLES PEOPLE WITHOUT PARTICULAR KNOWLEDGE OF COMPUTER-AIDED DESIGN TO DESIGN WINDOWS AND DOORS*
- *IT IS EASY TO LEARN*