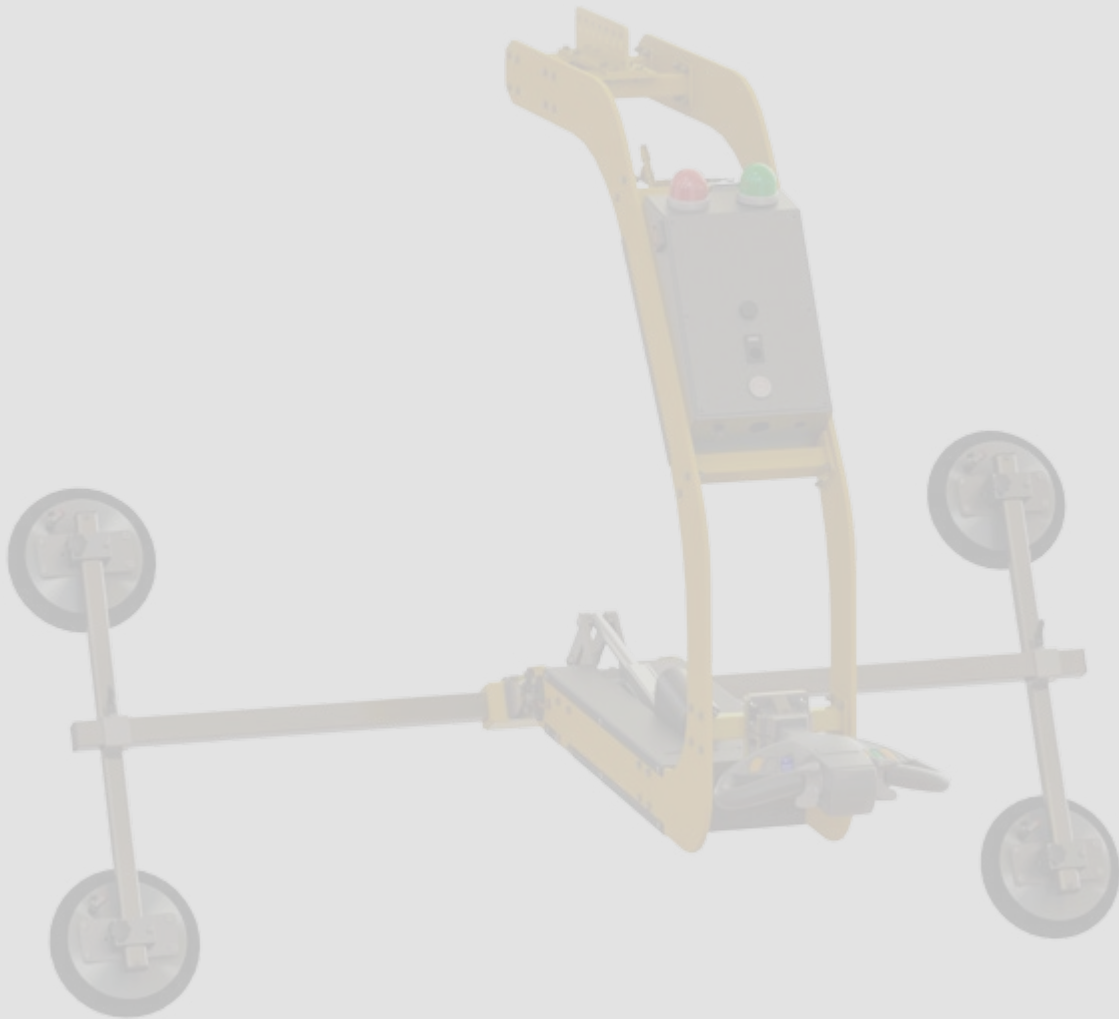
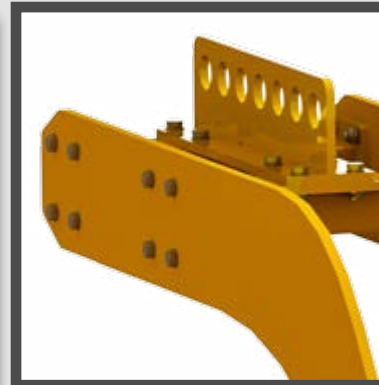


euroTECH

VACUUM TECHNOLOGIES



eT-Hover-loop (EN)

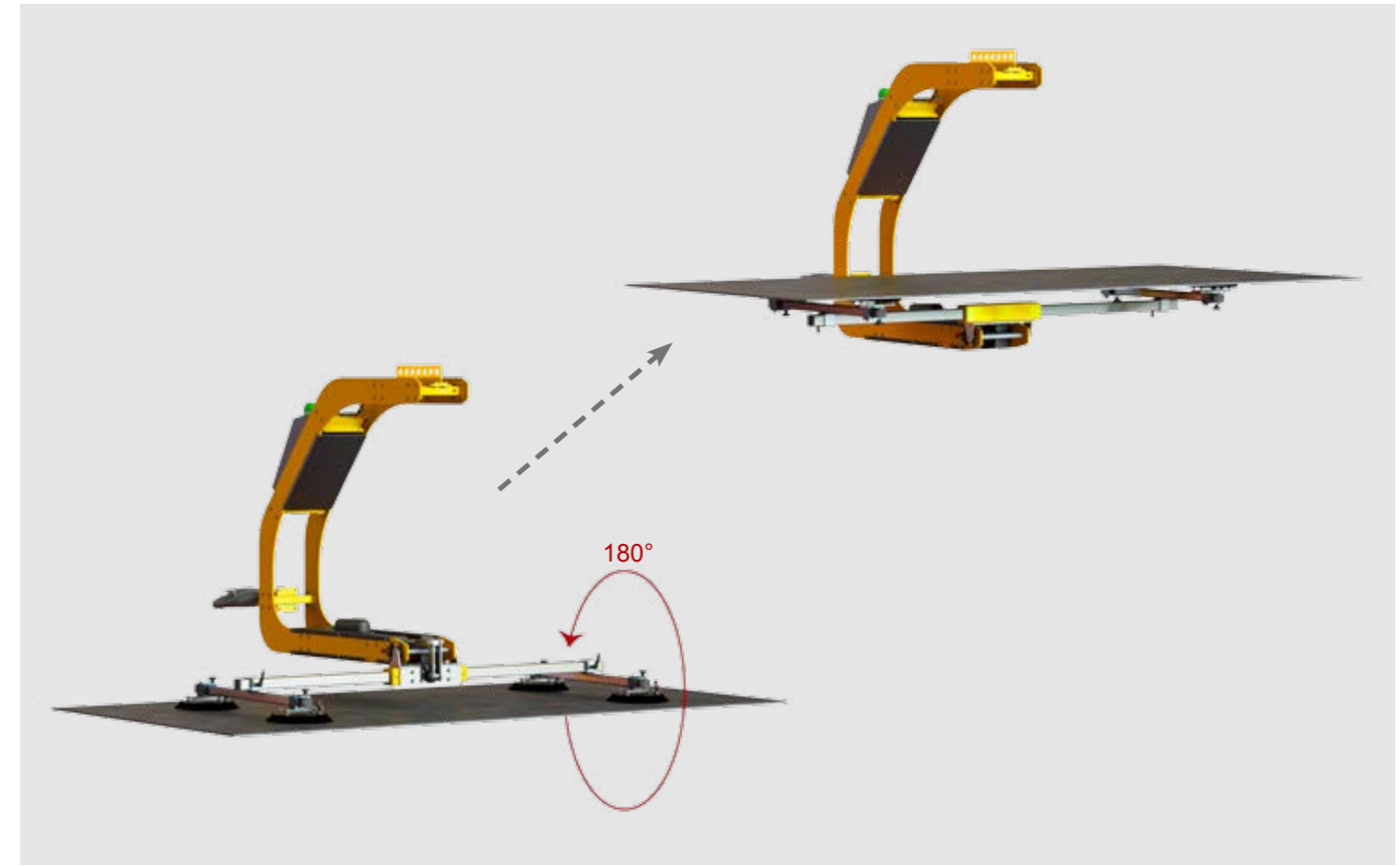


General information

- for turning loads around 180° using a linear actuator
- for large-surface loads
- adjustable cross beams
- modularly extendable eT-Hover-loop-500 with an overall length of 2 m to 8 m
- ergonomic handle
- max. carrying capacity of 250 kg to 500 kg

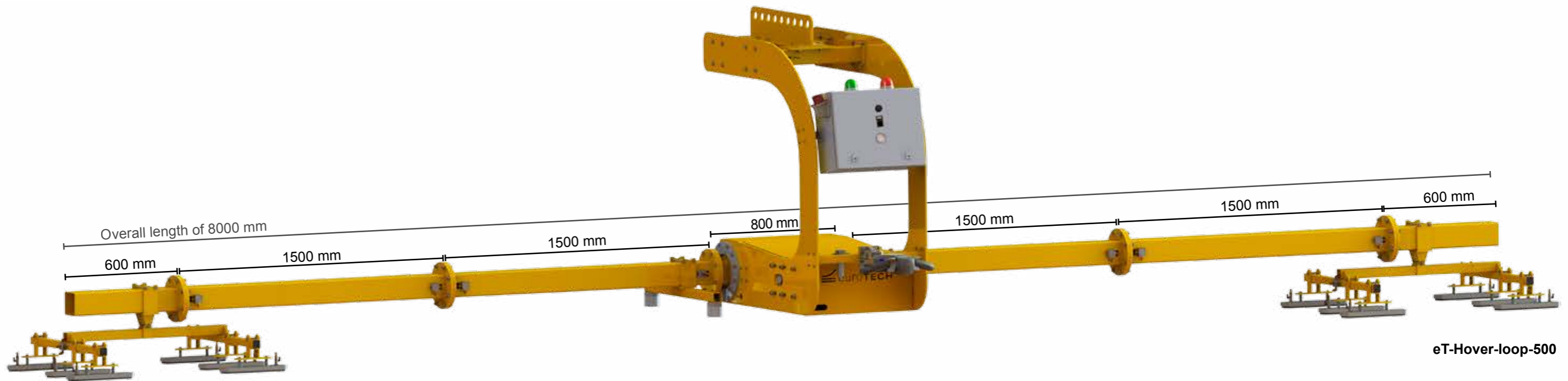


eT-Hover-loop-250



Technical data / Order data

	eT-Hover-loop-250 HG SF 250 04 290 L	eT-Hover-loop-500 HG SF 500 12 OVA
Suitable for	large-surface loads	large-surface loads
with max. dimensions LxW (mm)	3000x2000	9000x2000
Carrying capacity (kg)	250	500
Dimensions LxWxH (mm)	2000x880x1350	8000x800x1670
Pivoting range	180°	180°
Suction plates	4x BLSP 290 RL	4x BLSP 400 RL
Vacuum pump	MP.006	VT 4.8
Tare weight (kg)	150	518



eT-Hover-loop-500

eT-Hover-loop lifting device series

Loads frequently are delivered in different positions. With the **eT-Hover-loop** they can be turned around 180° very simply. This not only saves the power of at least two employees who would be necessary for turning, but it also protects their backs.

The 180° turner **eT-Hover-loop** is used for turning large-surface loads weighing up to 500 kilogrammes. Using a linear actuator, the device turns flat, vacuum-sealed panels made of sheet metal, glass, wood or plastic with dimensions of up to 3000 x 2000 or 9000 x 2000 millimetres. Its cross beams are adjustable and can be adapted to meet individual requirements.

The basic device of the **eT-Hover-loop-500** consists of several parts with various lengths. The device is modular and can therefore be extended in its overall length by at least 2 metres to 8 metres and therefore can be adapted to the individual working conditions of the customers. The ergonomic handle bar supports the ease of handling.

If you have any questions or require a concrete quotation, please contact us by *telephone, fax or e-mail*.



EUROTECH Vertriebs GmbH

Dammstr. 1 Telephone: +49 7433 90468-0
72351 Geislingen Fax: +49 7433 90468-13
GERMANY E-Mail: info@euro-tech-vacuum.de
Internet: www.euro-tech-vacuum.com